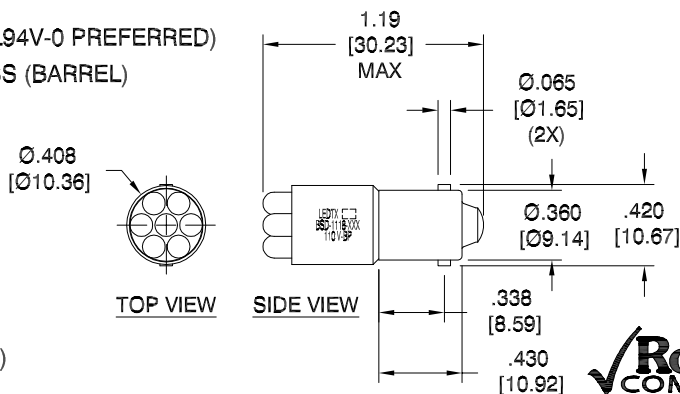


LTR	REVISION	DATE	APPD
B	092820-GP01: ADDED "WHEN USED IN ET5, ET6 AND ET16 UTILITY LAMP HOLDERS"	09-28-20	GP

NOTES:

1. ALL DIMENSIONS ARE IN INCHES (MILLIMETERS).
2. SLEEVE MATERIAL: RYNITE FR530 (UL94V-1 MINIMUM, UL94V-0 PREFERRED)
3. BASE MATERIAL: (BODY) BRASS & NICKEL-PLATED BRASS (BARREL)



(WHEN USED IN ET5, ET6 AND ET16 UTILITY LAMP HOLDERS)
ELECTRICAL / OPTICAL CHARACTERISTICS (Ta = 25°C)

Part No.	Color	125VDC	120VAC	130VAC	240VAC	250VDC	Wavelength (nm)	Current (A)	Power (mW)	Temp. (K)
BSD-1118-001	ULTRA RED	110	95	105	195	220	654nm	0.008 A	2000	654nm
		140	130	140	260	280	654nm	0.008 A	1900	654nm
		1835	1835	1835	1835	1835	654nm	0.008 A	2300	654nm
		55V	55V	55V	55V	55V	654nm	0.008 A	4800	654nm
		55V	55V	55V	55V	55V	654nm	0.008 A	5100	654nm
BSD-1118-002	HI-EFF RED	110	95	105	195	220	642nm	0.008 A	2000	642nm
		140	130	140	260	280	642nm	0.008 A	1900	642nm
		1835	1835	1835	1835	1835	642nm	0.008 A	2300	642nm
		55V	55V	55V	55V	55V	642nm	0.008 A	4800	642nm
		55V	55V	55V	55V	55V	642nm	0.008 A	5100	642nm
BSD-1118-003	ORANGE	110	95	105	195	220	607nm	0.008 A	2000	607nm
		140	130	140	260	280	607nm	0.008 A	1900	607nm
		1835	1835	1835	1835	1835	607nm	0.008 A	2300	607nm
		55V	55V	55V	55V	55V	607nm	0.008 A	4800	607nm
		55V	55V	55V	55V	55V	607nm	0.008 A	5100	607nm
BSD-1118-004	YELLOW	110	95	105	195	220	585nm	0.008 A	2000	585nm
		140	130	140	260	280	585nm	0.008 A	1900	585nm
		1835	1835	1835	1835	1835	585nm	0.008 A	2300	585nm
		55V	55V	55V	55V	55V	585nm	0.008 A	4800	585nm
		55V	55V	55V	55V	55V	585nm	0.008 A	5100	585nm
BSD-1118-006	HI-EFF GREEN	110	95	105	195	220	566nm	0.008 A	2000	566nm
		140	130	140	260	280	566nm	0.008 A	1900	566nm
		1835	1835	1835	1835	1835	566nm	0.008 A	2300	566nm
		55V	55V	55V	55V	55V	566nm	0.008 A	4800	566nm
		55V	55V	55V	55V	55V	566nm	0.008 A	5100	566nm
BSD-1118-008	ULTRA BLUE	110	95	105	195	220	427nm	0.007 A	2000	427nm
		140	130	140	260	280	427nm	0.007 A	1900	427nm
		1835	1835	1835	1835	1835	427nm	0.007 A	2300	427nm
		55V	55V	55V	55V	55V	427nm	0.007 A	4800	427nm
		55V	55V	55V	55V	55V	427nm	0.007 A	5100	427nm
BSD-1118-026	HI-EFF PALE YELLOW	110	95	105	195	220	642/566nm	0.008 A	2000	642/566nm
		140	130	140	260	280	642/566nm	0.008 A	1900	642/566nm
		1835	1835	1835	1835	1835	642/566nm	0.008 A	2300	642/566nm
		55V	55V	55V	55V	55V	642/566nm	0.008 A	4800	642/566nm
		55V	55V	55V	55V	55V	642/566nm	0.008 A	5100	642/566nm
BSD-1118-0UY	SUPER YELLOW	110	95	105	195	220	596nm	0.008 A	2000	596nm
		140	130	140	260	280	596nm	0.008 A	1900	596nm
		1835	1835	1835	1835	1835	596nm	0.008 A	2300	596nm
		55V	55V	55V	55V	55V	596nm	0.008 A	4800	596nm
		55V	55V	55V	55V	55V	596nm	0.008 A	5100	596nm
BSD-1118-UYG	ULTRA PALE WHITE	110	95	105	195	220	596/566nm	0.007 typ/0.010 max	2000	596/566nm
		140	130	140	260	280	596/566nm	0.007 typ/0.010 max	1900	596/566nm
		1835	1835	1835	1835	1835	596/566nm	0.007 typ/0.010 max	2300	596/566nm
		55V	55V	55V	55V	55V	596/566nm	0.007 typ/0.010 max	4800	596/566nm
		55V	55V	55V	55V	55V	596/566nm	0.007 typ/0.010 max	5100	596/566nm
BSD-1118-XIW	WARM WHITE	110	95	105	195	220	3000K	0.007 typ/0.010 max	2000	3000K
		140	130	140	260	280	3000K	0.007 typ/0.010 max	1900	3000K
		1835	1835	1835	1835	1835	3000K	0.007 typ/0.010 max	2300	3000K
		55V	55V	55V	55V	55V	3000K	0.007 typ/0.010 max	4800	3000K
		55V	55V	55V	55V	55V	3000K	0.007 typ/0.010 max	5100	3000K

LEDTRONICS PART NO.	LED EMITTING COLOR	CIRCUIT RATING VOLTS	CIRCUIT VOLTAGE MIN	CIRCUIT VOLTAGE MAX	REPLACES INCANDESCENT	INCANDESCENT LAMP VOLTAGE RATING	CURRENT (A)	EXTERNAL SERIES RESISTOR, Ohms	λ P nm COLOR TEMP. (K)
---------------------	--------------------	----------------------	---------------------	---------------------	-----------------------	----------------------------------	-------------	--------------------------------	------------------------

LED[®]
LEDTRONICS,™ INC.
23105 KASHIWA COURT
TORRANCE, CA 90505

-PROPRIETARY-
This document contains Proprietary information of LEDTRONICS,™ INC. It may not be copied, used or disclosed for any purpose without the prior express written consent of LEDTRONICS,™ INC.

.XXX ± .010 TOLERANCE PER ANSI-Y14.5
.XX ± .025 (UNLESS OTHERWISE STATED)
ANGLES ± 0°.30'
FRACT. ± 1/32

TITLE BSD-1118-XXX					
DWG NO B1118003	SCALE 1:1	SHEET 1 OF 1	DATE 05-11-01		
CODE IDENT NO. 8Z410	DWG BY RM 05-11-01	CHK BY LUV 09-28-20	QA SB 09-29-20	MFG LD 09-28-20	R&D UF 09-28-20