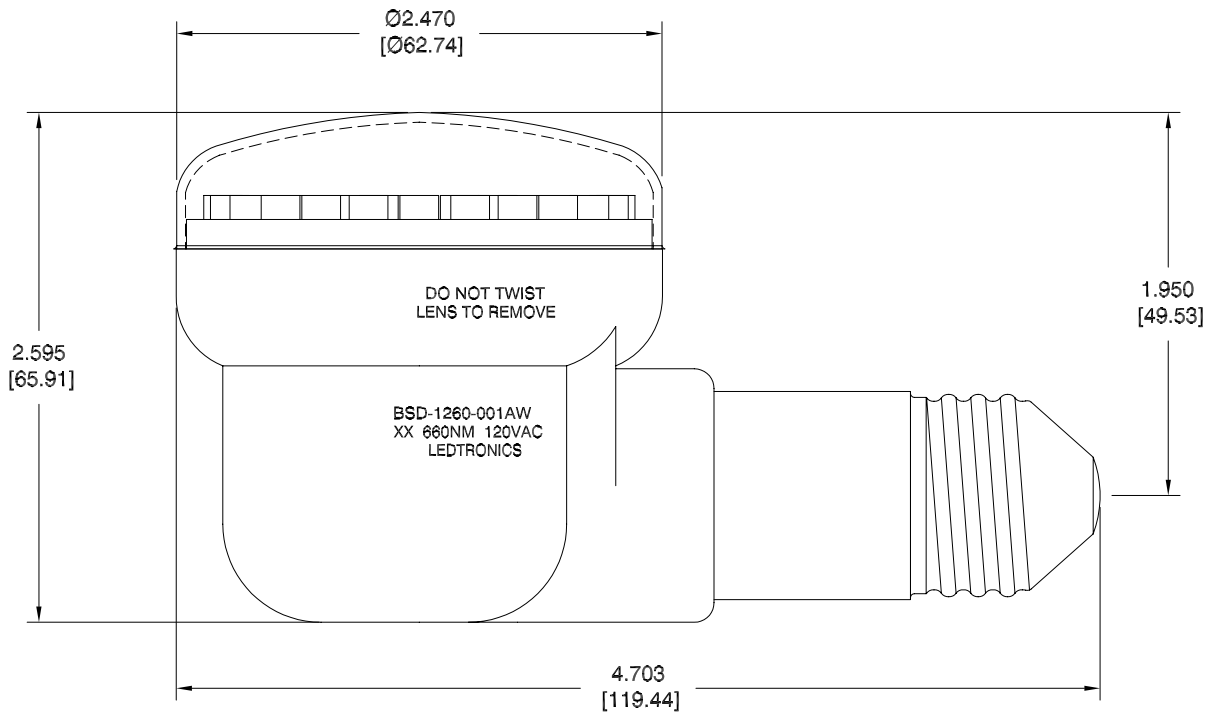
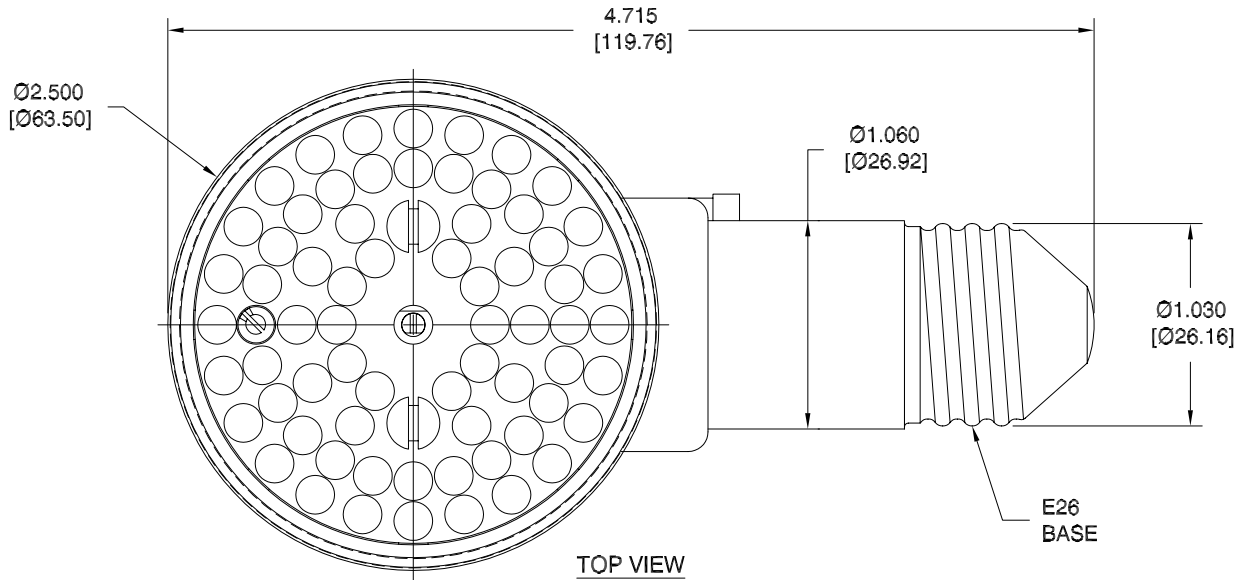


LTR	REVISION	DATE	APPD
-	RELEASED	04-25-12	



NOTES:

1. ALL DIMENSIONS ARE IN INCHES [MILLIMETERS].
2. LENS MATERIAL: WATER CLEAR, POLYCARBONATE LEXAN 141
3. SLEEVE MATERIAL: BLACK, POLYCARBONATE
4. BASE MATERIAL: BRASS
5. WEIGHT: 0.225 lbs.

REVISION NOTIFICATION

<input type="checkbox"/>	PMA
<input type="checkbox"/>	UL
<input type="checkbox"/>	MADE IN USA
<input type="checkbox"/>	CUSTOMER _____
<input type="checkbox"/>	OTHER

BSD-1260-001AW	ULTRA RED	120VAC	0.025 A	2.6 W	5.1 cd	5.9 lm	2.26	660
LEDTRONICS PART NO.	COLOR EMITTED	INPUT VOLTAGE, V	CURRENT (A)	POWER (WATTS)	MAXIMUM CANDELA	TOTAL LUMENS	EFFICACY (lm/W)	λP nm
ELECTRICAL TEST								

LED[®]
LEDTRONICS,™ INC.
 23105 KASHIWA COURT
 TORRANCE, CA 90505

-PROPRIETARY-
 This document contains Proprietary information of LEDTRONICS, INC. It may not be copied, used or disclosed for any purpose without the prior express written consent of LEDTRONICS, INC.

.XXX ± .010 TOLERANCE PER ANSI-Y14.5 (UNLESS OTHERWISE STATED)
 .XX ± .025
 ANGLES ± 0°,30'
 FRACT. ± 1/32

TITLE						BSD-1260-001AW		
DWG NO		SCALE		SHEET		DATE		
B1260009		1:1		1 OF 1		04-25-12		
CODE IDENT NO.	DWG BY	CHK BY	QA	MFG	R&D			
8Z410	GP	PL			BJ			
	04-25-12	04-25-12			04-25-12			