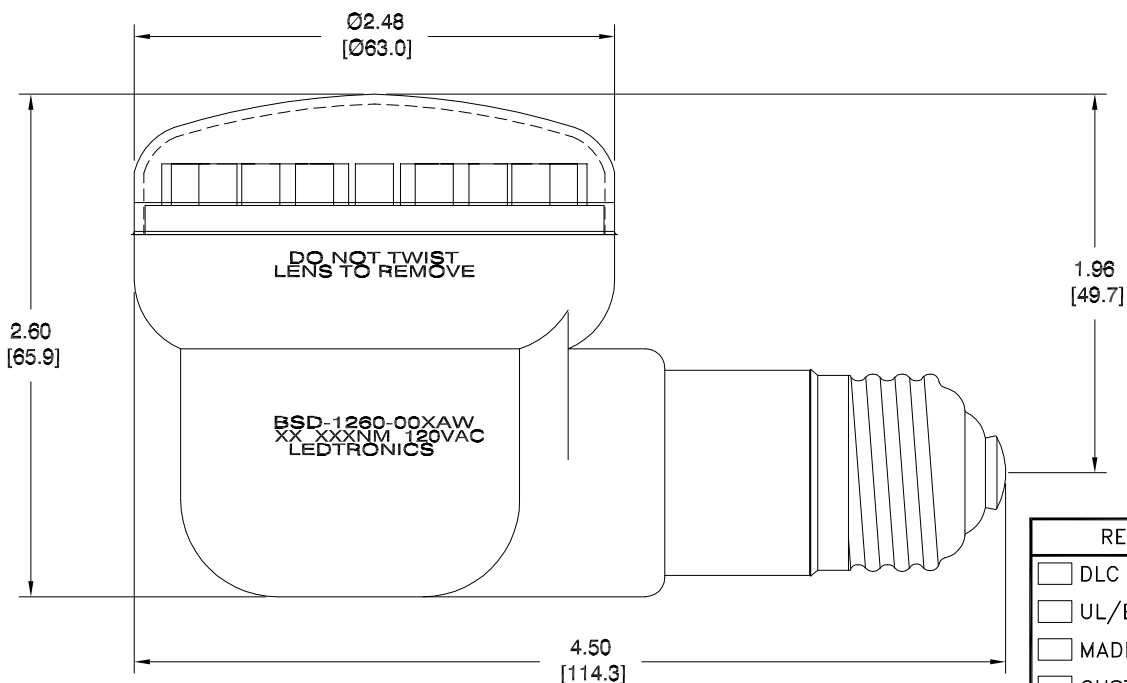
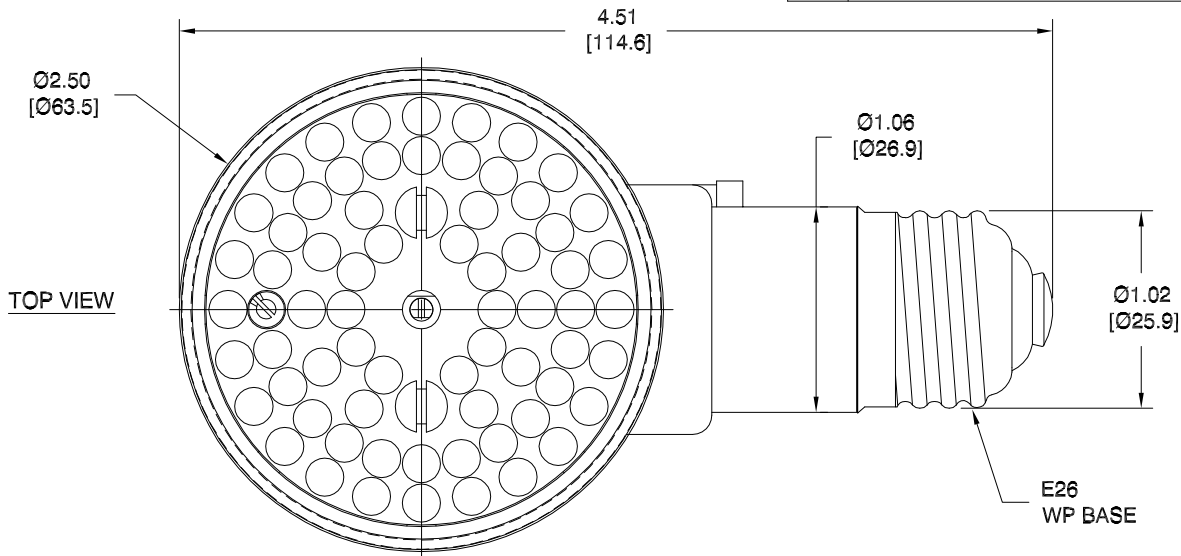


LTR	REVISION	DATE	APPD
B	021218-MMO1: UPDATED TEST DATA & ADDED -004AW	02-12-18	MM



NOTES:

1. ALL DIMENSIONS ARE IN INCHES [MILLIMETERS].
2. LENS MATERIAL: WATER CLEAR, POLYCARBONATE LEXAN 141
3. SLEEVE MATERIAL: BLACK, POLYCARBONATE
4. BASE MATERIAL: BRASS
5. WEIGHT: 0.225 lbs.

ELECTRO-OPTICAL CHARACTERISTICS

BSD-1260-001AW	ULTRA RED	120VAC	0.025 A	2.6 W	0.87	0.623 cd	7.8 lm	3.01	660
BSD-1260-004AW	YELLOW	120VAC	0.022 A	2.4 W	0.89	0.135 cd	1.7 lm	0.71	585
BSD-1260-007AW	PURE GREEN	120VAC	0.025 A	2.7 W	0.87	0.161 cd	2.0 lm	0.75	555
LEDTRONICS PART NO.	COLOR EMITTED	INPUT VOLTAGE, V	CURRENT (A)	POWER (WATTS)	POWER FACTOR	MAXIMUM CANDELA	TOTAL LUMENS	EFFICACY (lm/W)	λ P nm

REVISION NOTIFICATION	
<input type="checkbox"/>	DLC
<input type="checkbox"/>	UL/ETL
<input type="checkbox"/>	MADE IN USA
<input type="checkbox"/>	CUSTOMER _____
<input type="checkbox"/>	OTHER _____
REDLINE CHECKLIST	
<input type="checkbox"/>	REDLINE(YES)
<input type="checkbox"/>	DATE: _____
<input type="checkbox"/>	INITIATED BY: _____
<input type="checkbox"/>	ECR REQUIRED YES <input type="checkbox"/> NO <input type="checkbox"/>
<input type="checkbox"/>	WORK ORDER# _____

LED[®]
LEDTRONICS,™ INC.
 23105 KASHIWA COURT
 TORRANCE, CA 90505

-PROPRIETARY-
 This document contains Proprietary information of LEDTRONICS, INC. It may not be copied, used or disclosed for any purpose without the prior express written consent of LEDTRONICS, INC.

.XXX ± .010 TOLERANCE PER ANSI-Y14.5
 .XX ± .025 (UNLESS OTHERWISE STATED)
 ANGLES ± 0°,30'
 FRACT. ± 1/32

TITLE					
BSD-1260-00XAW					
DWG NO	SCALE	SHEET	DATE		
B1260009	1:1	1 OF 1	04-25-12		
CODE IDENT NO.	DWG BY GP	CHK BY PL	QA EE	MFG LD	R&D LUV
8Z410	04-25-12	02-27-18	02-27-18	02-27-18	02-27-18