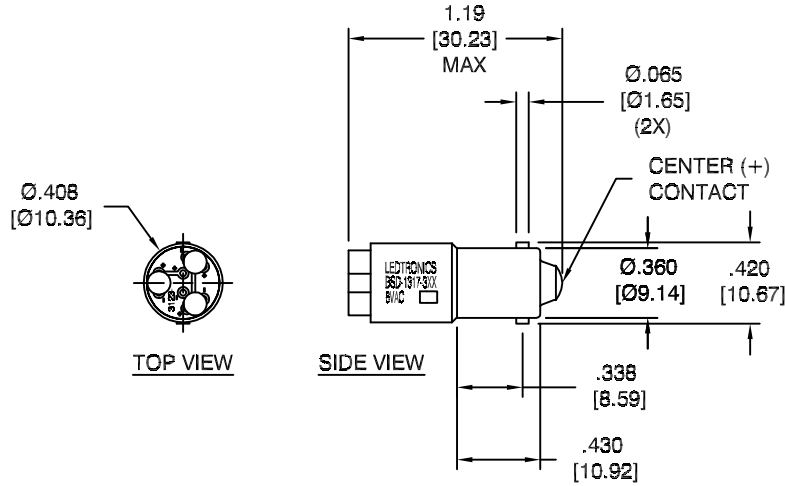
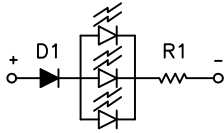


LTR	REVISION	DATE	APPD
D	092222-UFO1: UPDATED TEST TABLE	10-13-22	HF



NOTES:

1. ALL DIMENSIONS ARE IN INCHES (MILLIMETERS).
2. SLEEVE MATERIAL: RYNITE FR530 (UL94V-1 MINIMUM, UL94V-0 PREFERRED)
3. BASE MATERIAL: (BODY) BRASS & NICKEL-PLATED BRASS (BARREL)

REVISION NOTIFICATION	
<input type="checkbox"/> DLC	
<input type="checkbox"/> UL/ETL	
<input type="checkbox"/> MADE IN USA	
<input type="checkbox"/> CUSTOMER _____	
<input type="checkbox"/> OTHER	
REDLINE CHECKLIST	
<input type="checkbox"/> REDLINE(YES)	
<input type="checkbox"/> DATE: _____	
<input type="checkbox"/> INITIATED BY: _____	
<input type="checkbox"/> ECR REQUIRED YES <input type="checkbox"/> NO <input type="checkbox"/>	
<input type="checkbox"/> WORK ORDER# _____	

ELECTRICAL - OPTICAL CHARACTERISTICS (Ta = 25°C)

BSD-1317-3AG	AQUA GREEN	6Vac	0.018-0.025 A	0.08 W	4.28 lm	0.34	1.7 cd	0.75	525	105°
BSD-1317-3ER	SUPER RED	6Vac	0.018-0.025 A	0.10 W	1.73 lm	0.14	0.6 cd	0.89	632	110°
BSD-1317-3IW	WARM WHITE	6Vac	0.018-0.025 A	0.05 W	4.49 lm	0.36	-	0.50	3000K	-
BSD-1317-3PB	SUPER BLUE	6Vac	0.018-0.025 A	0.05 W	0.73 lm	0.06	0.3 cd	0.50	465	100°
BSD-1317-3PY	SUPER YELLOW	6Vac	0.018-0.025 A	0.09 W	1.96 lm	0.16	0.6 cd	0.80	592	110°
LEDTRONICS PART NO.	COLOR EMITTED	INPUT VOLTAGE, V (typ.)	CURRENT (A) (typ.)	POWER (W)	LUMENS	SCP	LUMINOUS INTENSITY	POWER FACTOR	λ_P nm COLOR TEMP. (K)	VIEWING ANGLE (FULL BEAM WIDTH @ 50% INTENSITY)

-PROPRIETARY-
 This document contains Proprietary Information of LEDTRONICS, INC. It may not be copied, used or disclosed for any purpose without the prior express written consent of LEDTRONICS, INC.

.XXX ± .010 TOLERANCE PER ANSI-Y14.5
 .XX ± .025 (UNLESS OTHERWISE STATED)
 ANGLES ± 0°,30'
 FRACT. ± 1/32

TITLE					
BSD-1317-3XX					
DWG NO	SCALE	SHEET	DATE		
B1317005	1:1	1 OF 1	08-02-10		
CODE IDENT NO.	DWG BY	CHK BY	QA LUV	MFG LD	R&D LUV
8Z410	08-02-10		11-08-22	11-08-22	11-08-22