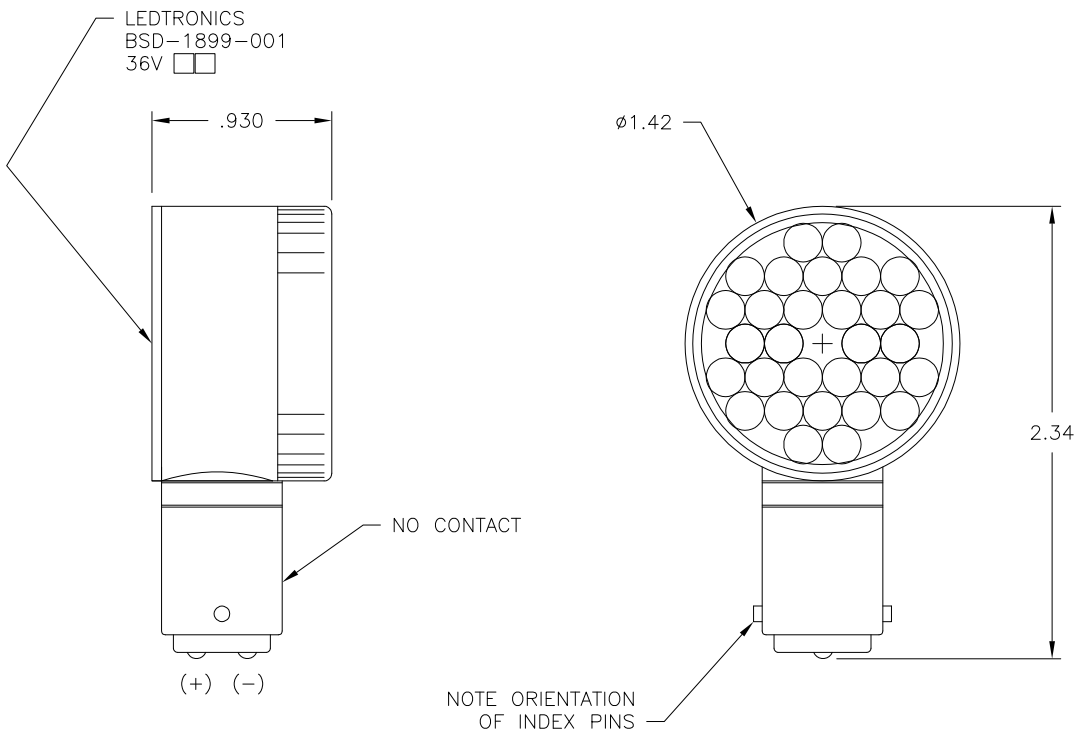


LTR	REVISION	DATE	APPD
-	RELEASED	02-22-02	



BSD-1899-001	SUPER RED	36	40	633
LEDTRONICS PART NO.	COLOR EMITTED	VOLTS	mA	λP nm
		typ	typ	
ELECTRICAL TEST				

LED[®]
LEDTRONICS,™ INC.
23105 KASHIWA COURT
TORRANCE, CA 90505

-PROPRIETARY-
This document contains Proprietary information of LEDTRONICS,™ INC. It may not be copied, used or disclosed for any purpose without the prior express written consent of LEDTRONICS,™ INC.

.XXX ± .010 TOLERANCE PER ANSI-Y14.5
.XX ± .025 (UNLESS OTHERWISE STATED)
ANGLES ± 0°,30'
FRACT. ± 1/32

TITLE		BSD-1899-001		
DWG NO	SCALE	SHEET	DATE	
B1899001	1:1	1 OF 1	02-22-02	
CODE IDENT NO.	DWG BY	CHK BY	QA	MFG
8Z410	SB		JCH	RA
			02-24-02	02-26-02
CUSTOMER				