

# HID-HeavyDuty BSN semi-parallel for SON/CDO/MH/HPI

HID-HeavyDuty BSN 70 L34-TS 240V 50Hz HD1-118

Encapsulated electromagnetic copper/iron ballasts for use with an external semi-parallel ignitor for CDM, CDO, MH, HPI (Plus) and SON lamps

## Product data

### • General Characteristics

|                          |         |
|--------------------------|---------|
| Application code         | L34-TS  |
| Design                   | HD1-118 |
| Rated Lamptype           | SON/CDO |
| Rated Number of Lamps    | 1 piece |
| Rated Ballast-Lamp Power | 70      |
| Line Voltage             | 240 V   |
| Line Frequency           | 50 Hz   |

### • Operating Characteristics

|                                 |           |
|---------------------------------|-----------|
| Mains voltage safety (AC)       | -10%/+10% |
| Mains voltage performance (AC)  | -8%/+6%   |
| Input current with PF-correct.  | 0.45 A    |
| Input current w/o PF-correct.   | 1.00 A    |
| Power losses gear               | 11.5 W    |
| PowerFactor 100% - output power | 0.87 -    |
| PowerFactor w/o PF compens.     | 0.35 -    |

### • Wiring Characteristics

|                      |                           |
|----------------------|---------------------------|
| Connector type       | Screw                     |
| Striplength          | 7.0 mm                    |
| Wcs Ballast contacts | 0.70-6.00 mm <sup>2</sup> |

### • System Chars on driver level

|                     |   |
|---------------------|---|
| Recommended Ignitor | for SON/CDO lamps ignitor SN 57 (913619589966) OR SND57 |
|---------------------|---|

|           |  |
|-----------|--|
| Capacitor | (913700184966) or series digital SUD10 (913700195891)<br>12µF/250V |
|-----------|--|

### • Temperature Characteristics

|                               |                        |
|-------------------------------|------------------------|
| Active temperature protection | Yes                    |
| T-storage                     | -30 (min), 130 (max) C |
| T-winding maximum (tw)        | 130 (max) C            |
| Delta-T normal conditions     | 55 C                   |

### • Product Dimensions

|                         |          |
|-------------------------|----------|
| Length A1               | 118.0 mm |
| Fixing Hole Distance    | 103.0 mm |
| Length A2               |          |
| Width B1                | 65.0 mm  |
| Height C1               | 53.0 mm  |
| Fixing Hole Diameter D1 | 6.2 mm   |

### • Approval & Application Chars

|                  |     |
|------------------|-----|
| CE marking       | Yes |
| ENEC certificate | Yes |

### • Product Data

|                       |                                 |
|-----------------------|---------------------------------|
| Order code            | 913700226626                    |
| Full product code     | 913700226626                    |
| Full product name     | BSN 70 L34-TS 240V 50Hz HD1-118 |
| Order product name    | BSN 70 L34-TS 240V 50Hz HD1-118 |
| Pieces per pack       | 1                               |
| Packing configuration | 6                               |

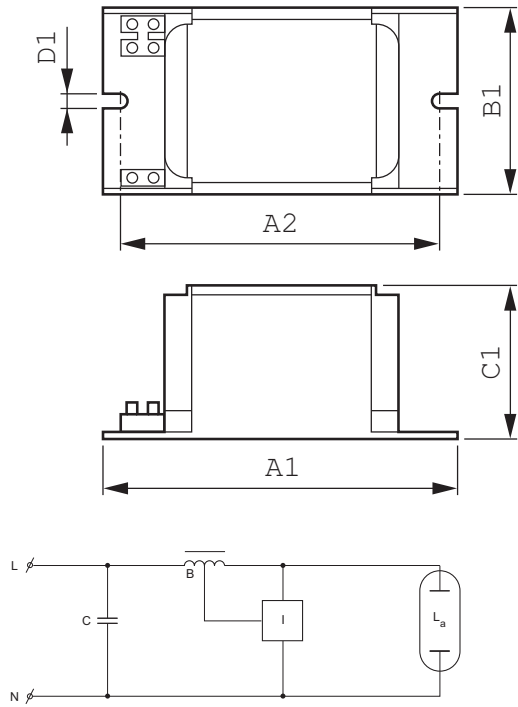
**PHILIPS**

# HID-HeavyDuty BSN semi-parallel for SON/CDO/MH/HPI

Packs per outerbox 6  
 Bar code on pack - EAN1 8711500059703  
 Bar code on outerbox - EAN3 8711500062161

Logistic code(s) - 913700226626  
 12NC  
 Net weight per piece 1.280 kg

## Dimensional drawing



## HID-HeavyDuty BSN 70 L34-TS 240V 50Hz HD1-118

| Product                            | A1 (Norm) | A2 (Norm) | B1 (Norm) | C1 (Norm) | D1 (Norm) |
|------------------------------------|-----------|-----------|-----------|-----------|-----------|
| BSN 70 L34-TS 240V 50Hz<br>HD1-118 | 118.0     | 103.0     | 65.0      | 53.0      | 6.2       |



© 2014 Koninklijke Philips N.V. (Royal Philips)  
 All rights reserved.

Specifications are subject to change without notice. Trademarks are the property of Koninklijke Philips N.V. (Royal Philips) or their respective owners.

[www.philips.com/lighting](http://www.philips.com/lighting)

2014, April 11  
 data subject to change