

C2642/347xxx

APPLICATION and PERFORMANCE SPECIFICATION

Description: Electronic compact fluorescent ballasts for (1) CFM42W/GX24q; or (1) CFTR32W/GX24q or (2/1) CFQ/TR26W/GX24q; 4-pin lamps, (1)FC9T5-22W, (1) FC12T5-40W.
Also operates (1) 28 watt 2D lamps; and (1) FT24W/2G11 lamp.

- Line Voltage: 347vac, $\pm 10\%$, 60Hz
- High Power Factor
- Programmed Rapid Start
- Series Lamp Connection

Model	Lamp		Input Watts*	Nominal Line Amps	Ballast Factor	Power Factor	THD	Crest Factor	
	Type	#							
C2642/347	347	CFQ/TR26W	2	57	0.17	.98	> 0.98	< 10%	<1.5
	347	CFQ/TR26W	1	31	0.09	1.02	> 0.98	< 10%	<1.6
	347	CFM42W	1	50	0.15	1.00	> 0.98	< 10%	<1.5
	347	CFTR32W	1	36	0.11	.98	> 0.98	< 10%	<1.5
	347	FT24W/2G11	1	29	0.09	.90	> 0.95	< 10%	<1.5
	347	CFS28W/GR10q	1	33	0.10	.95	> 0.95	< 10%	<1.6
	347	FC9T5-22	1	26	0.08	.98	>.98	< 10%	<1.5
	347	FC12T5-40	1	40	0.12	.98	>.98	< 10%	<1.5

* ANSI measured wattage; 25°C ambient; benchtop; lamps base up

Application and Performance Specification Information Subject to Change without Notification.

Performance:

- Meets ANSI Standard C82.11
- Meets FCC Part 18 (Non-Consumer), Limits for EMI/RFI
- Operating Frequency Range: 50-60 kHz
- **Auto-Reset Shutdown Circuit** per NEMA Recommendations
 - Both lamps should be replaced at end of life
 - Lamp relights upon insertion in socket
- Suitable for use in air handling spaces when NEC wiring guidelines are followed

Safety:

- No PCB's
- CSA Certified
- Type CC
- cULus Listed

Application:

- Minimum Starting Temperature: 0° F, -18° C
- Maximum Ambient Temperature: 122° F, 50° C
- Maximum Case Temperature (@ t_c): 167° F, 75° C
- Sound Rated: A
- Lead configuration:
 - xxx SE - Side Exit
 - or BE - Bottom Exit
 - or BES - Bottom Exit with Studs (2" on center)
- Remote Mounting 12 feet

Physical Parameters

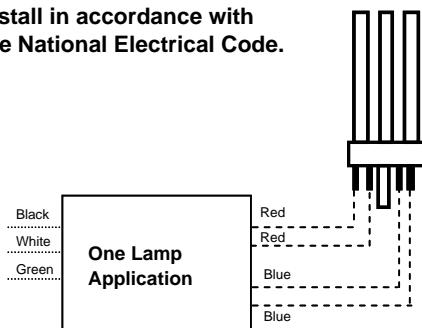
- Overall Length: 4.94"
- Width: 2.31"
- Mounting: 4.61"
- Height: 1.00"
- Weight: 0.57 lbs
- Qty/Carton: 20
- Color: SE - White
BE/BES - Black
- Can Material: Metal

Warranty:

Universal Lighting Technologies warrants to the purchaser that each electronic ballast will be free from defects in material or workmanship for a period of 5 years from date of manufacture when properly installed and under normal conditions of use. Call **1-800-BALLASTx800** for technical assistance.

Manufactured in North America

Install in accordance with the National Electrical Code.



Ballast has plug in wire trap connectors. Use 18 AWG solid copper wire, stripped to 3/8". Ballast Must be Grounded. Use External Ground Wire.

