

SYLVANIA Luminaires

Canopy



Product Features

The Canopy luminaires are environmentally preferable LED alternatives to traditional HID luminaires, offering up to 81% in energy savings. Ideal in place of traditional luminaires, or as new installations, the Canopy series is offered in four wattages/lumen packages for illuminating building exteriors, outdoor corridors, walkways, and stairwells.

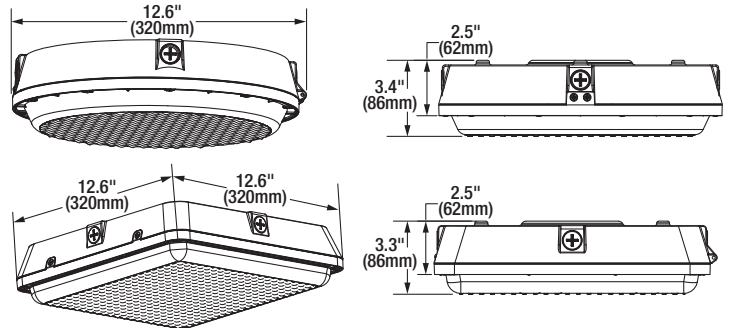
The extremely durable IP66 luminaires allow for easy installation in tight ceiling spaces, and are available in two shapes and finishes. SYLVANIA luminaires assure optimum light engine performance for extended service and rated life ($\geq 150,000$ hours L_{70}).

Wattage Comparison Chart

Traditional Source	Traditional System Wattage	LED System Wattage	Energy Savings
35W HPS	42	25	40%
50W HPS	62	25	60%
70W HPS	91	25	67%
70W HPS	91	35	62%
100W HPS	120	35	71%
100W MH	130	35	73%
150W HPS	170	35	79%
150W MH	188	35	81%
150W HPS	170	45	74%
150W MH	188	45	76%
175W MH	210	45	79%
175W MH	210	65	69%
250W MH	290	65	78%
250W HPS	295	65	78%

Catalog #	Type
Project	
Notes	
Date	
Prepared by	

Dimensions



Specifications

Weight: 7.3 lbs (3.3kg)

Construction: Die Cast aluminum housing with powder coat paint. The standard colors are bronze or white.

LED System: LED system with a life rating of $>150,000$ hours at L_{70} @ 25°C . Luminaire efficacy up to 135 LPW.

Electrical: Offered in 25, 35, 45, and 65 watts, the luminaire is designed to operate through the 120-277 VAC universal voltage range. The LED driver is a constant current device. The power factor is $\geq 90\%$ and THD is $\leq 20\%$.

Dimming: The driver is 0-10V dimmable (down to 10%). Please reference the dimmer compatibility document (LEDLUM012).

Color Characteristics: CRI >80 ; CCT of 4000K or 5000K.

Optics: Type V distribution with UV resistant polycarbonate lens.

Installation: Luminaire can be surface or pendant mounted (accessories not included).

Operating Temperature: -40°F to $+122^{\circ}\text{F}$ (-40°C to $+50^{\circ}\text{C}$).

Listings: cULus listed to UL1598 rated for wet locations.

Warranty: Standard 5-year luminaire warranty (LEDLUM001).

Note: Specifications subject to change without notice. IES files available online.



Ordering Guide

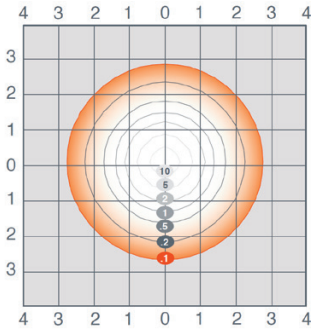
Item Number:

<input type="text"/>	<input type="text"/>	<input type="text"/>	<input type="text"/>	<input type="text"/>	<input type="text"/>	<input type="text"/>	<input type="text"/>	<input type="text"/>	<input type="text"/>	<input type="text"/>	<input type="text"/>		
CANOPY	2A	/	XXX	UNV	D	8	XX	/	12	XX	5	/	XX
Product Name	Generation		Wattage	Voltage	Dimming	CRI	Color Temp (CCT)		Size	Shape	Distribution		Color/Finish
CANOPY	2A		025 = 25 Watts 035 = 35 Watts 045 = 45 Watts 065 = 65 Watts	UNV = 120-277V	D = 0-10V	≥ 80	40 = 4000K 50 = 5000K		12 = 12"	R = Round S = Square	5 = Type V		BZ = Bronze WH = White

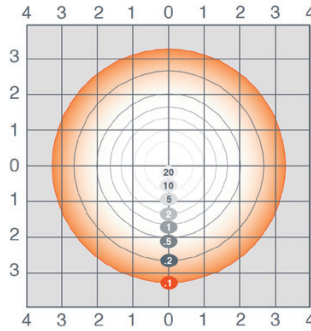


Photometric Data

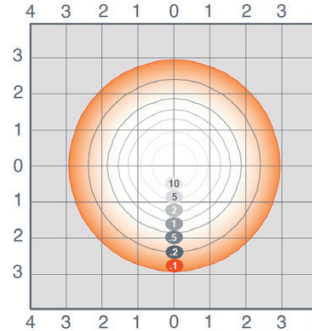
25W CANOPY2A25UNVD840
Isofootcandle Lines at
10' Mounting Height



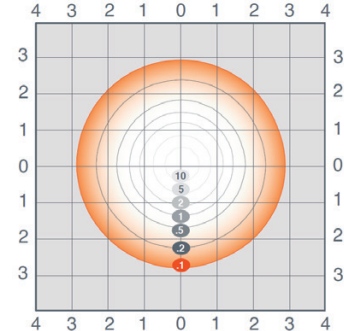
35W CANOPY2A35UNVD840
Isofootcandle Lines at
10' Mounting Height



45W CANOPY2A45UNVD840
Isofootcandle Lines at
10' Mounting Height



65W CANOPY2A65UNVD840
Isofootcandle Lines at
10' Mounting Height



For 25, 35 and 45W models at other mounting heights apply the following multipliers:

Mounting Height	6'	8'	10'	12'	15'
Multiplier	2.25	1.56	1.00	0.69	0.56

For 65W models at other mounting heights apply the following multipliers:

Mounting Height	6'	8'	10'	12'	15'
Multiplier	2.25	1.56	1.00	0.69	0.56

Ordering Information

Round Canopy

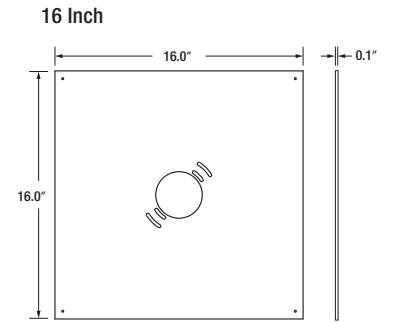
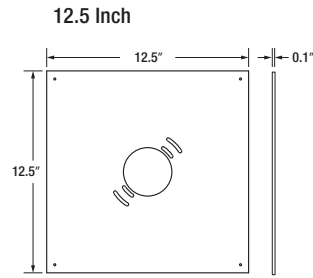
Item Number	Ordering Abbreviation	Color	Power (W)	Input Voltage	Dimming	CRI	Color Temp (CCT)	Lumens	LPW	DLC
60398	CANOPY2A/025UNVD840/12R5/WH	White	25	120-277	0-10V	>70	4000K	3400	135	Prm
60399	CANOPY2A/025UNVD850/12R5/WH	White	25	120-277	0-10V	>70	5000K	3400	135	Prm
60400	CANOPY2A/035UNVD840/12R5/WH	White	35	120-277	0-10V	>70	4000K	4725	135	Prm
60401	CANOPY2A/035UNVD850/12R5/WH	White	35	120-277	0-10V	>70	5000K	4725	135	Prm
60402	CANOPY2A/045UNVD840/12R5/WH	White	45	120-277	0-10V	>70	4000K	6075	135	Prm
60403	CANOPY2A/045UNVD850/12R5/WH	White	45	120-277	0-10V	>70	5000K	6075	135	Prm
60404	CANOPY2A/065UNVD840/12R5/WH	White	65	120-277	0-10V	>70	4000K	8750	135	Prm
60405	CANOPY2A/065UNVD850/12R5/WH	White	65	120-277	0-10V	>70	5000K	8750	135	Prm
60406	CANOPY2A/025UNVD840/12R5/BZ	Bronze	25	120-277	0-10V	>70	4000K	3400	135	Prm
60407	CANOPY2A/025UNVD850/12R5/BZ	Bronze	25	120-277	0-10V	>70	5000K	3400	135	Prm
60408	CANOPY2A/035UNVD840/12R5/BZ	Bronze	35	120-277	0-10V	>70	4000K	4725	135	Prm
60409	CANOPY2A/035UNVD850/12R5/BZ	Bronze	35	120-277	0-10V	>70	5000K	4725	135	Prm
60410	CANOPY2A/045UNVD840/12R5/BZ	Bronze	45	120-277	0-10V	>70	4000K	6075	135	Prm
60411	CANOPY2A/045UNVD850/12R5/BZ	Bronze	45	120-277	0-10V	>70	5000K	6075	135	Prm
60412	CANOPY2A/065UNVD840/12R5/BZ	Bronze	65	120-277	0-10V	>70	4000K	8750	135	Prm
60413	CANOPY2A/065UNVD850/12R5/BZ	Bronze	65	120-277	0-10V	>70	5000K	8750	135	Prm

Square Canopy

Item Number	Ordering Abbreviation	Color	Power (W)	Input Voltage	Dimming	CRI	Color Temp (CCT)	Lumens	LPW	DLC
60414	CANOPY2A/025UNVD840/12S5/WH	White	25	120-277	0-10V	>70	4000K	3400	135	Prm
60415	CANOPY2A/025UNVD850/12S5/WH	White	25	120-277	0-10V	>70	5000K	3400	135	Prm
60416	CANOPY2A/035UNVD840/12S5/WH	White	35	120-277	0-10V	>70	4000K	4725	135	Prm
60417	CANOPY2A/035UNVD850/12S5/WH	White	35	120-277	0-10V	>70	5000K	4725	135	Prm
60418	CANOPY2A/045UNVD840/12S5/WH	White	45	120-277	0-10V	>70	4000K	6075	135	Prm
60419	CANOPY2A/045UNVD850/12S5/WH	White	45	120-277	0-10V	>70	5000K	6075	135	Prm
60420	CANOPY2A/065UNVD840/12S5/WH	White	65	120-277	0-10V	>70	4000K	8750	135	Prm
60421	CANOPY2A/065UNVD850/12S5/WH	White	65	120-277	0-10V	>70	5000K	8750	135	Prm
60422	CANOPY2A/025UNVD840/12S5/BZ	Bronze	25	120-277	0-10V	>70	4000K	3400	135	Prm
60423	CANOPY2A/025UNVD850/12S5/BZ	Bronze	25	120-277	0-10V	>70	5000K	3400	135	Prm
60424	CANOPY2A/035UNVD840/12S5/BZ	Bronze	35	120-277	0-10V	>70	4000K	4725	135	Prm
60425	CANOPY2A/035UNVD850/12S5/BZ	Bronze	35	120-277	0-10V	>70	5000K	4725	135	Prm
60426	CANOPY2A/045UNVD840/12S5/BZ	Bronze	45	120-277	0-10V	>70	4000K	6075	135	Prm
60427	CANOPY2A/045UNVD850/12S5/BZ	Bronze	45	120-277	0-10V	>70	5000K	6075	135	Prm
60428	CANOPY2A/065UNVD840/12S5/BZ	Bronze	65	120-277	0-10V	>70	4000K	8750	135	Prm
60429	CANOPY2A/065UNVD850/12S5/BZ	Bronze	65	120-277	0-10V	>70	5000K	8750	135	Prm

Mounting Accessories

Item Number	Ordering Abbreviation	Item Description
60683	CANOPY3A/MTGPLATE/12/BZ	12.5" Mounting Plate, Bronze
60684	CANOPY3A/MTGPLATE/16/BZ	16" Mounting Plate, Bronze
60685	CANOPY3A/MTGPLATE/12/WH	12.5" Mounting Plate, White
60686	CANOPY3A/MTGPLATE/16/WH	16" Mounting Plate, White



LEDVANCE LLC
 200 Ballardvale Street
 Wilmington, MA 01887 USA
 Phone 1-800-LIGHTBULB (1-800-544-4828)
www.sylvania.com

SYLVANIA and LEDVANCE are registered trademarks.
 All other trademarks are those of their respective owners.
 Licensee of product trademark SYLVANIA in general lighting.
 Specifications subject to change without notice.

 /sylvania  /sylvania

