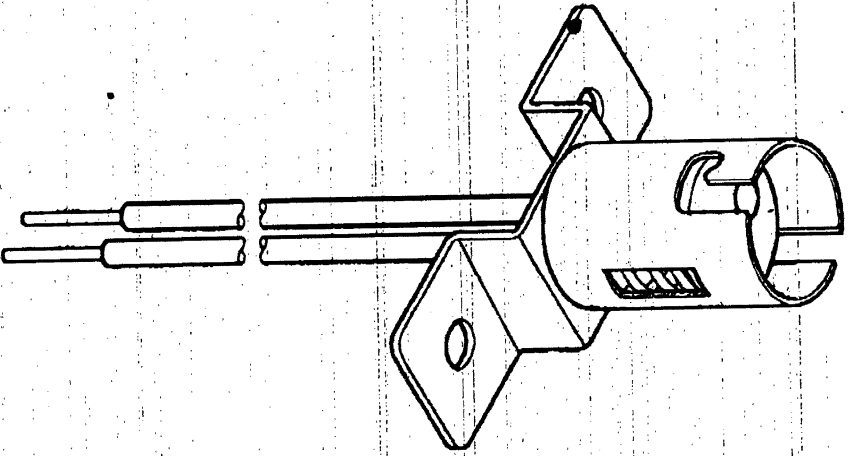


PART NO.

CBPX-227-6



INSERT (BAKELITE)

CONTACT (BRASS WITH NICKEL PLATE)

SHELL (STEEL, ZINC PLATE)

SPRING (STEEL, ZINC PLATE)

BRACKET (STEEL, ZINC PLATE)

WIRE (18AWG UL 1015 105°C, UL&CSA APPROVAL)

