

# CCT-SERIES

## Constant Current Electronic Phase-Dimmable LED Driver

## Specification Sheet

The **CCT-SERIES** is an electronic Class 2, phase-dimmable, LED driver with a low-profile and compact hard plastic case that is sized for lighting fixture applications. The driver features over-current and short-circuit protection, as well as an efficiency of over 90%, resulting in a low-operating case temperature. The **CCT-SERIES** driver is phase-dimmable with both leading and trailing edge dimmers.

**Installation:** Wire Leads

**Driver Type:** Class 2, Single Channel

**Dimming:** Phase-dimmable with leading (forward) or trailing (reverse) edge dimmer

**Input Voltage:** 120VAC, 50/60 Hz

**Output Voltage:** 8VDC to 40VDC

**Output Current:** 200 - 700mA

**Environmental:** Dry and Damp

**Listing:** UL Recognized

**Certifications:** UL8750, UL1310 | CSA C22.2 No. 250.13-12

**Warranty:** 5-Year

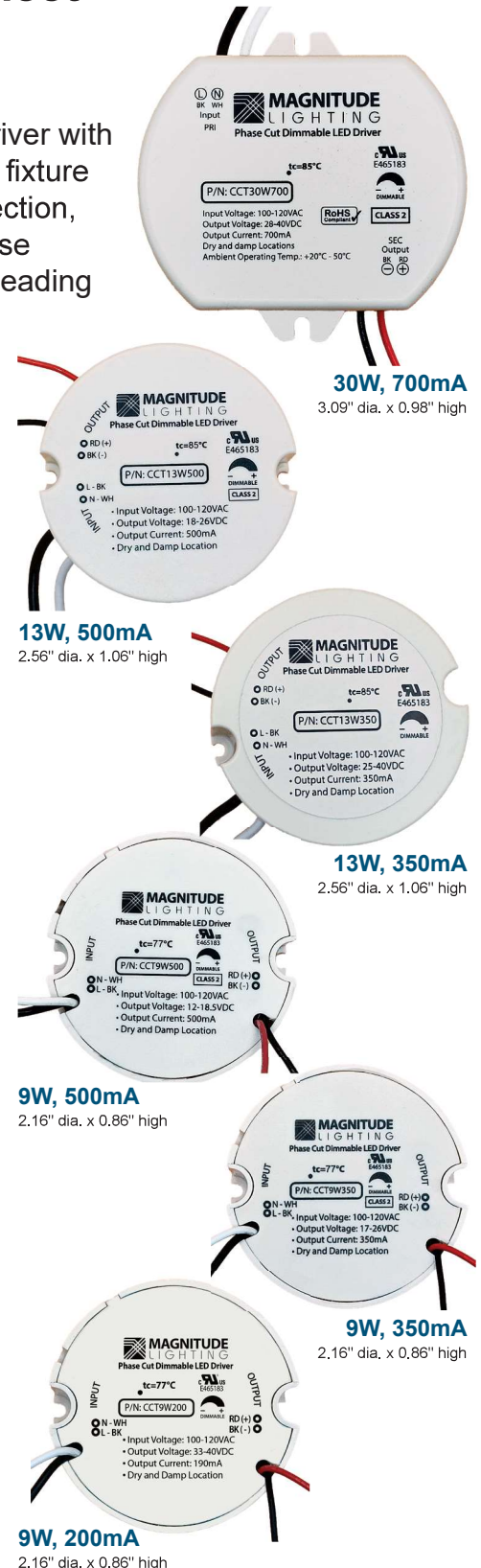
### DIMENSIONS

	9W	13W	30W
<b>DIAMETER</b>	2.16" (54.87mm)	2.56" (65.02mm)	3.09" (78.49mm)
<b>HEIGHT</b>	0.86" (21.84mm)	1.06" (26.92mm)	0.98" (24.89mm)



### ORDERING GUIDE

Part No.	Description
CCT9W200	CCT, Constant Current, Phase-Cut Dimming, 9W, 120VAC, 33-40VDC, 200mA
CCT9W350	CCT, Constant Current, Phase-Cut Dimming, 9W, 120VAC, 17-26VDC, 350mA
CCT9W500	CCT, Constant Current, Phase-Cut Dimming, 9W, 120VAC, 12-18.5VDC, 500mA
CCT9W700	CCT, Constant Current, Phase-Cut Dimming, 9W, 120VAC, 8-13VDC, 700mA
CCT13W350	CCT, Constant Current, Phase-Cut Dimming, 13W, 120VAC, 25-40VDC, 350mA
CCT13W500	CCT, Constant Current, Phase-Cut Dimming, 13W, 120VAC, 18-26VDC, 500mA
CCT13W700	CCT, Constant Current, Phase-Cut Dimming, 13W, 120VAC, 13-18.5VDC, 700mA
CCT30W700	CCT, Constant Current, Phase-Cut Dimming, 30W, 120VAC, 28-40VDC, 700mA



# CCT-SERIES

Constant Current Electronic  
Phase-Dimmable LED Driver

## Specification Sheet

### Customer Service

Phone: (714) 312-5080

Fax: (714) 312-5070

E-mail: [CustomerCare@magnititudeinc.com](mailto:CustomerCare@magnititudeinc.com)

## SPECIFICATIONS

INPUT	9W	13W	30W
Input Voltage Range	100VAC to 120VAC	100VAC to 120VAC	100VAC to 120VAC
Input Frequency	50 / 60Hz	50 / 60Hz	50 / 60Hz
Input Current	0.13A	0.175A	0.28A
Efficiency	82%	82%	82%
Power Factor	0.9	0.9	0.9

OUTPUT	9W	13W	30W
Max Load	9W	13W	30W
Output Current @ Max Load	200mA 350mA 500mA 700mA	350mA 500mA 700mA	700mA
Output Voltage Range	30 to 40.0 (200mA) 17 to 26.0 (350mA) 12 to 18.5 (500mA) 8 to 13.0 (700mA)	25 to 40.0 (350mA) 18 to 26.0 (500mA) 13 to 18.5 (700mA)	28 to 40.0 (700mA)

ENVIRONMENTAL	9W	13W	30W
Ambient Operating Temperature	60°C (Max)	60°C (Max)	50°C (Max)

DIMMING	9W	13W	30W
Minimum Dimming Level	5%	5%	5%

PROTECTION	9W	13W	30W
Tc	77°C (Max)	85°C (Max)	85°C (Max)
Over Voltage Protection	Hiccup	Hiccup	Hiccup
Over Current Protection	Hiccup	Hiccup	Hiccup
Short Circuit Protection	Hiccup	Hiccup	Hiccup
Over Temperature Protection	Hiccup	Hiccup	Hiccup

MECHANICAL HOUSING	9W	13W	30W
Primary Leads	5.50"	7.28"	5.54"
Secondary Leads	5.50"	4.13"	5.50"
Length	N/A	N/A	3.17" (80.52mm)
Width	2.16" 0 (54.87mm)	2.56" 0 (65.02mm)	3.09" (78.49mm)
Height	0.86" (21.84mm)	1.06" (26.92mm)	0.98" (24.89mm)
Weight	0.18 lbs.	0.22 lbs.	0.25 lbs.
Housing Material	ABS	ABS	ABS
Housing Color	Blue	Blue	Blue
Mounting	2 half-hole flange mounts	2 half-hole flange mounts	2 half-hole flange mounts

APPROVAL MARKINGS	9W	13W	30W
Certificates / Approval Signs	UL8750, C22.2 NO. 256.13-12   FCC Part 15B, UL1310		

# CCT-SERIES

Constant Current Electronic  
Phase-Dimmable LED Driver

## Specification Sheet

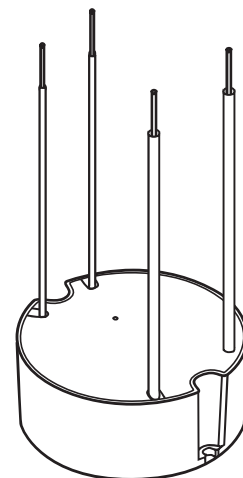
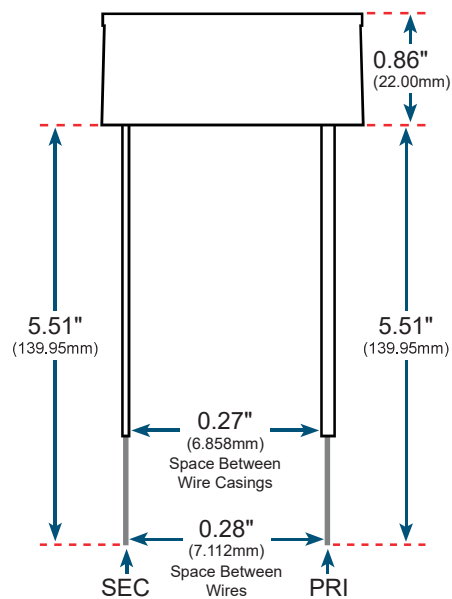
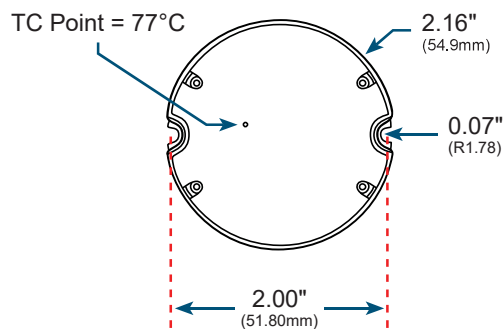
### Customer Service

Phone: (714) 312-5080

Fax: (714) 312-5070

E-mail: [CustomerCare@magnitudeinc.com](mailto:CustomerCare@magnitudeinc.com)

## MECHANICAL DIAGRAMS 9W (Diagrams not to scale.)



# CCT-SERIES

Constant Current Electronic  
Phase-Dimmable LED Driver

## Specification Sheet

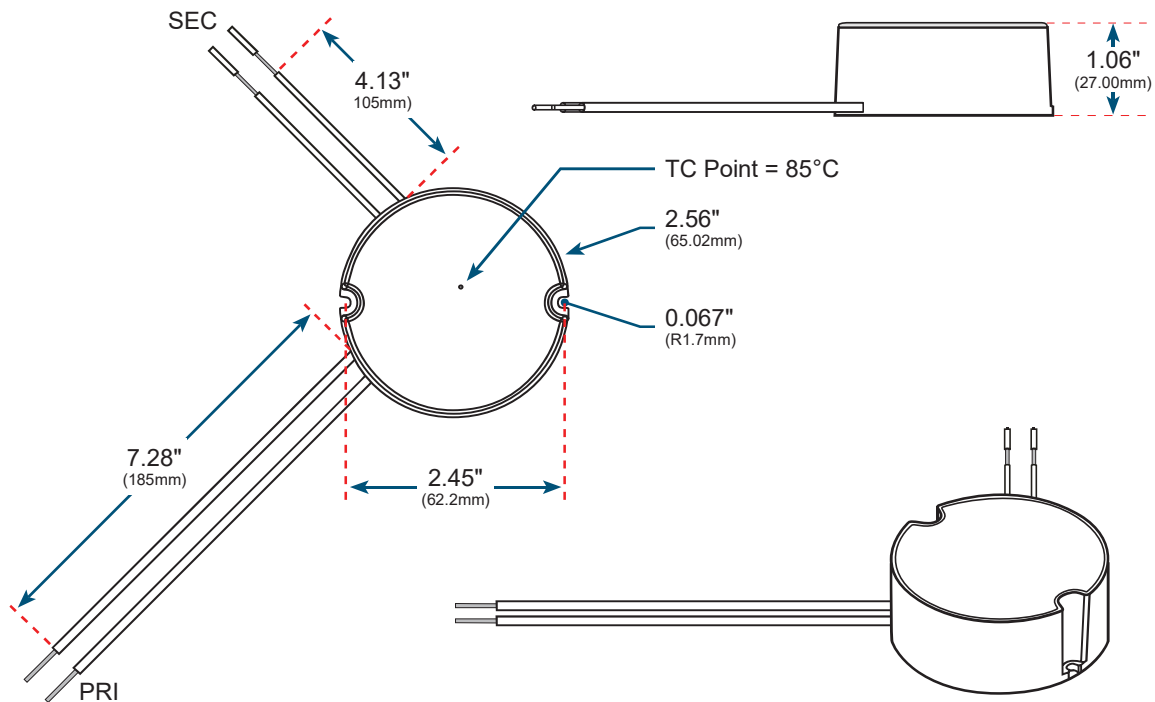
### Customer Service

Phone: (714) 312-5080

Fax: (714) 312-5070

E-mail: [CustomerCare@magnitudeinc.com](mailto:CustomerCare@magnitudeinc.com)

## MECHANICAL DIAGRAMS **13W** (Diagrams not to scale.)



# CCT-SERIES

Constant Current Electronic  
Phase-Dimmable LED Driver

## Specification Sheet

### Customer Service

Phone: (714) 312-5080

Fax: (714) 312-5070

E-mail: [CustomerCare@magnitudeinc.com](mailto:CustomerCare@magnitudeinc.com)

## MECHANICAL DIAGRAMS 30W (Diagrams not to scale.)

