



CD Commercial Downlight

HIGHLIGHTS

- Provides comfortable diffused light
- PowerSet feature allows for 5 "set and forget" lumen stops *
- FieldCCeT feature allows for 5 "set and forget" CCT options **
- Suitable for new construction or remodel applications
- Flexible steel conduit with 1/2" KO (3/8" Trade Size) snap in connector
- Easy Installation due to spring-loaded heavy duty brackets that keep the downlight in place
- Multiple sizes to fit various applications (4", 6", 8" and 10" models)
- Deep recessed light source for lower glare

CERTIFICATIONS

- ETL
- ENERGY STAR® Approved for superior energy efficiency
- IC Rated for direct contact with insulation
- Wet Location
- RoHS Compliant
- FCC Compliant
- ICES-005 Compliant
- IP54 Rated

PERFORMANCE

- High efficacy, up to 100 lm/W
- PowerSet: 40/35/30/25/20W, 35/30/25/20/15W, 20/18/16/14/12W, 16/14/12/10/8W
- FieldCCeT: 27/30/35/40/5000K
- CRI: >80
- Beam Angle:
 - 4", 6" = 90°
 - 8", 10" = 100°
- Estimated L70: 100,000 Hours

ELECTRICAL

- Input Voltage: 120-277V, 120-347V
- Dimming: 0-10V (120-277V models), 0-10V + Triac (120-347V models)
- Surge Protection: 2.5kV
- Power Factor: >0.9
- THD: <20%

THERMAL

- -4°F to 113°F (-20°C to 45°C) ambient operating temperature

CONSTRUCTION

- Powder coated aluminum reflector and trim
- Designed as one complete unit: driver, housing and lens

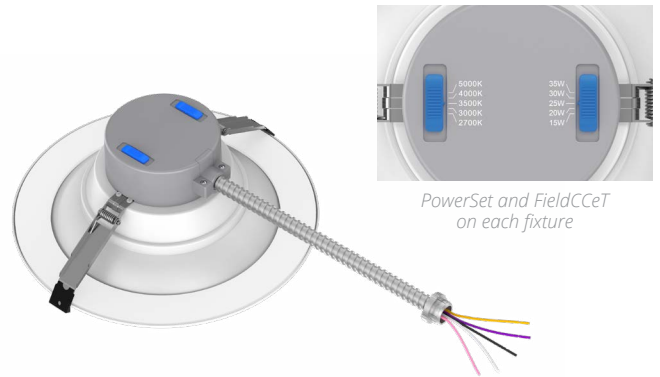
WARRANTY

- 5-Year limited warranty available [online](#). Contact your EiKO sales rep for additional details.

* PowerSet models ship preset at the highest wattage.

** FieldCCeT models ship preset at 5000K

| | |
|----------------|---------|
| project name | type |
| catalog number | voltage |
| approved by | date |



PowerSet and FieldCCeT on each fixture



APPLICATIONS

- Reception/Lobby
- Retail/Storefront
- Dr. Offices/Waiting/Patient Rooms
- Admin/Class/Conference/Meeting Rooms/Library
- Multi-Residential (Dorms/ Apartments)
- Gyms & Athletic Facilities
- Industrial/Commercial Offices





| MODEL CONFIGURATOR | | | | | | | | | | | |
|---------------------------|----------|---|------------------------|---|---------|--------------------------|---|---------------|--------------------|---|------------|
| MODEL | SIZE | - | POWERSET | - | CRI | FIELDCCET | - | VOLTAGE | DIMMING | - | COLOR |
| CD : Commercial Downlight | 4 - 4" | - | PS16 - 16/14/12/10/8W | - | 8 - 80+ | FCCT - 27/30/35/40/5000K | - | U - 120-277V | DIM - 0-10V | - | WH - White |
| | 6 - 6" | | PS20 - 20/18/16/14/12W | | | | | | | | |
| | 8 - 8" | | PS40 - 40/35/30/25/20W | | | | | | | | |
| | 10 - 10" | | PS35 - 35/30/25/20/15W | | | | | | | | |
| | | | PS40 - 40/35/30/25/20W | | | | | H - 120-347V* | DD - Triac & 0-10V | | |

*Note: see available models table for specific models that are 120-347V

AVAILABLE MODELS

| ORDER | ORDER CODE | ITEM # | SIZE | WATTS (W) | LUMENS (lm) | EFFICACY (lm/W) | CRI | CCT (K) | DIMMING | VOLTAGE (VAC) | ENERGY STAR |
|-------|------------|-------------------------|------|----------------|--------------------------------|-----------------|-----|----------------|---------------|---------------|-------------|
| | 15156 | CD4-PS16-8FCCT-UDIM-WH | 4" | 16/14/12/10/8 | 1,440/1,260/1,080 /900/720 | 90 | 80 | 27/30/35/40/50 | 0-10V | 120-277 | ★ |
| | 15157 | CD6-PS20-8FCCT-UDIM-WH | 6" | 20/18/16/14/12 | 2,000/1,800/1,600 /1,400/1,200 | 100 | 80 | 27/30/35/40/50 | 0-10V | 120-277 | ★ |
| | 15158 | CD6-PS20-8FCCT-HDD-WH | 6" | 20/18/16/14/12 | 2,000/1,800/1,600 /1,400/1,200 | 100 | 80 | 27/30/35/40/50 | Triac & 0-10V | 120-347 | ★ |
| | 15163 | CD6-PS40-8FCCT-UDIM-WH | 6" | 40/35/30/25/20 | 4,000/3,500/3,000 /2,500/2,000 | 100 | 80 | 27/30/35/40/50 | 0-10V | 120-277 | ★ |
| | 15165 | CD6-PS40-8FCCT-HDD-WH | 6" | 40/35/30/25/20 | 4,000/3,500/3,000 /2,500/2,000 | 100 | 80 | 27/30/35/40/50 | Triac & 0-10V | 120-347 | ★ |
| | 15167 | CD8-PS35-8FCCT-UDIM-WH | 8" | 35/30/25/20/15 | 3,500/3,000/2,500 /2,000/1,500 | 100 | 80 | 27/30/35/40/50 | 0-10V | 120-277 | ★ |
| | 15169 | CD8-PS35-8FCCT-HDD-WH | 8" | 35/30/25/20/15 | 3,500/3,000/2,500 /2,000/1,500 | 100 | 80 | 27/30/35/40/50 | Triac & 0-10V | 120-347 | ★ |
| | 15171 | CD10-PS40-8FCCT-UDIM-WH | 10" | 40/35/30/25/20 | 4,000/3,500/3,000 /2,500/2,000 | 100 | 80 | 27/30/35/40/50 | 0-10V | 120-277 | ★ |

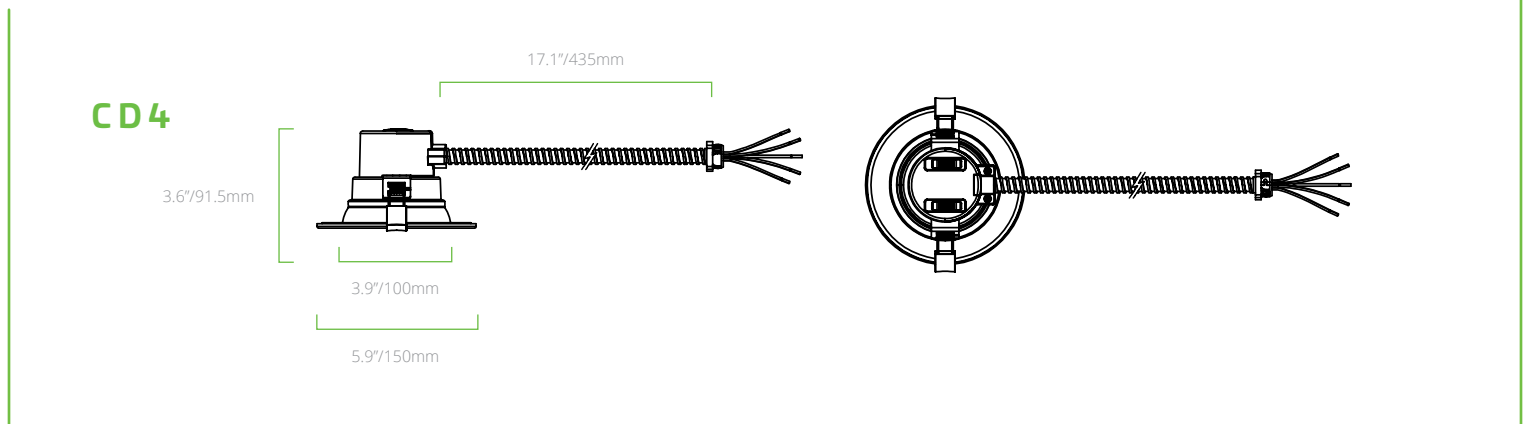
ACCESSORIES

| ORDER | ORDER CODE | ITEM # | DESCRIPTION | |
|-------|------------|-----------|---|---|
| | 15198 | DL4-GR-WH | 4" Goof Ring White |  |
| | 15199 | DL6-GR-WH | 6" Goof Ring White |  |
| | 15205 | DL8-GR-WH | 8" Goof Ring White |  |
| | 15203 | DL-NCPSJ | New Construction Plate Stud/Joist |  |
| | 15201 | DL-NCPTG | New Construction Plate T-Grid Accessory |  |

BATTERY BACKUPS

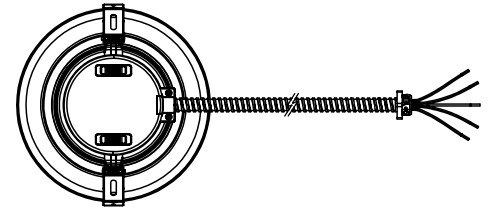
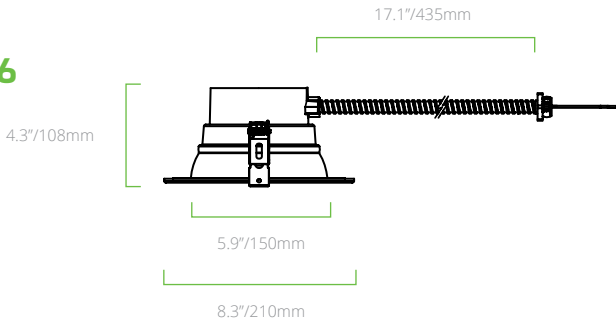
| ORDER | ORDER CODE | ITEM # | DESCRIPTION |
|-------|------------|---------------|---|
| | 11674 | EEBE08WHA170S | EiKO Emergency Battery External 8W 120-347V 170VDC Single Flex-Conduit CEC Compliant. Field install. |
| | 11675 | EEBE18WHA170S | EiKO Emergency Battery External 18W 100-347V 170VDC Single Flex-Conduit CEC Compliant. Field install. |

PRODUCT DIMENSIONS

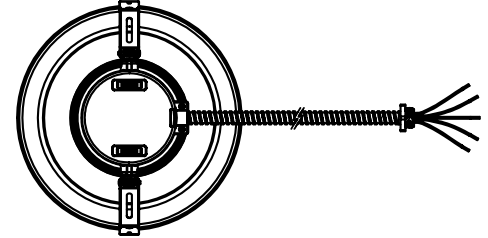
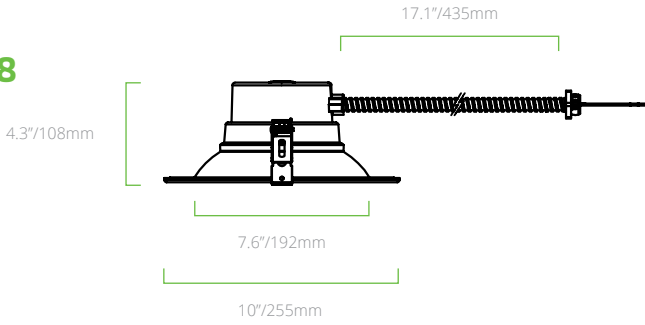


PRODUCT DIMENSIONS CONT'D

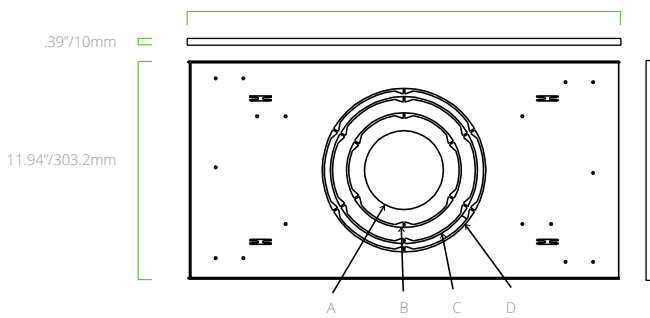
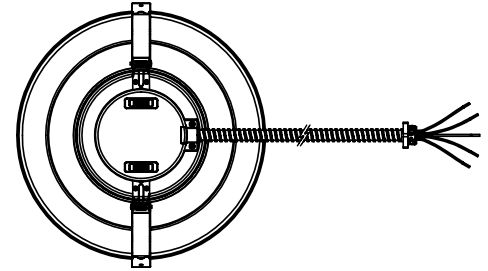
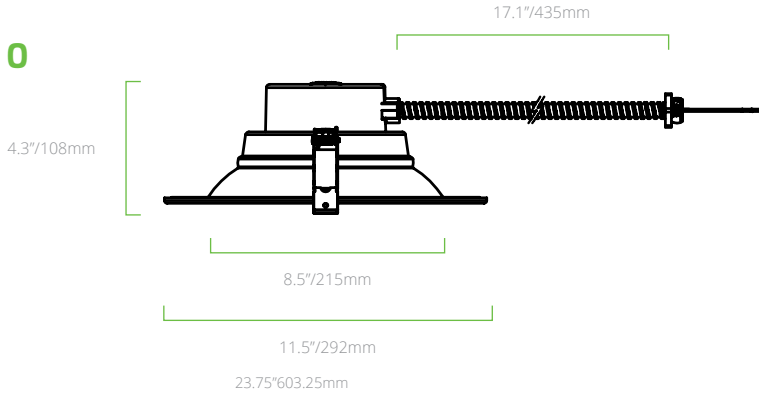
CD6



CD8

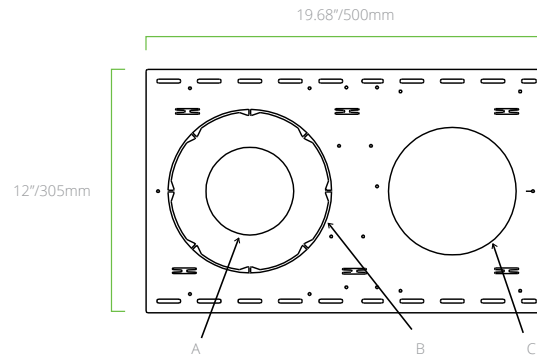


CD10



DL-NCPTG NEW CONSTRUCTION PLATE T-GRID

A: \varnothing 4 5/16"/109.54mm
B: \varnothing 6 5/16"/160.34mm
C: \varnothing 8 1/16"/204.79mm
D: \varnothing 9"/228.6mm

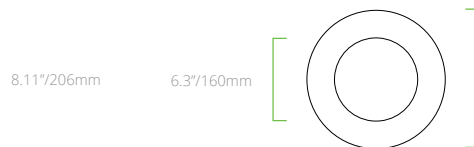


DL-NCPSJ NEW CONSTRUCTION PLATE STUD/ JOIST

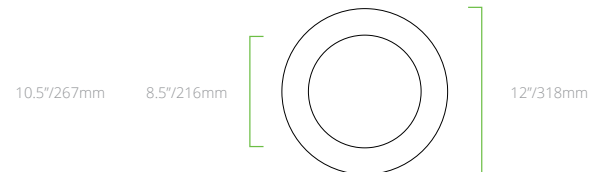
A: \varnothing 4 5/16"/109.54mm
B: \varnothing 8 1/16"/204.79mm
C: \varnothing 6 5/16"/160.34mm



Goof Ring 4"



Goof Ring 6"



Goof Ring 8"