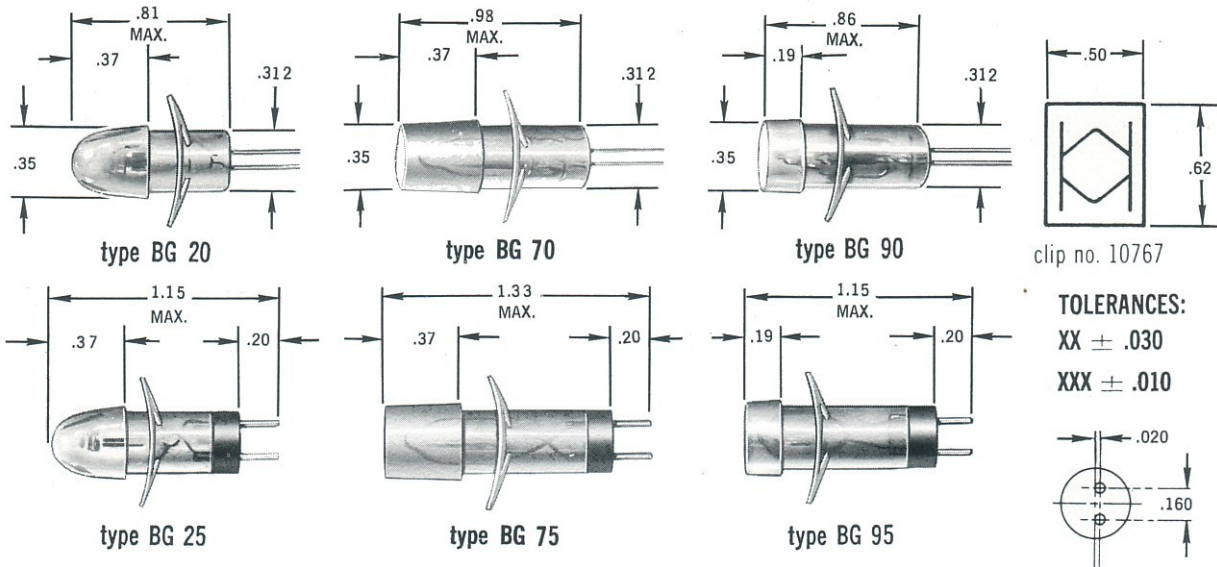


ELDEMA B-LITES



EXAMPLE

BG90-RC-NE2E Would be style BG90, red clear lens and NE2H lamp.

The BG20, BG70 and BG90 may be furnished with attached resistor. The style available is listed as the NE2H with 33K resistor which is the recommended combination for 120 volt. Other lamp-resistor combinations obtained on special order in production quantities.

The 2K sockets is a low cost connector for use with the 2 pin B-lites, styles BG25 BG75 and BG95. The socket is of military grade molded material with tin plated solder terminals.

SPECIFICATIONS

Styles 20,25,70,75,90 & 95

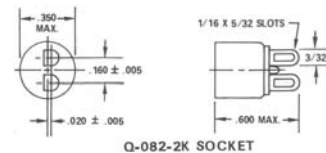
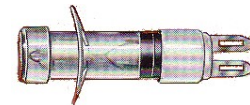
Lens Cap: Injection molded butyrate FED-L-P-349

Neon Lamp: NE2H Type

Mounting: Mounts in 5/16" hole in panels up to 1/8 thick with tinnerman clip.

Leads: Approximately 2" wire leads

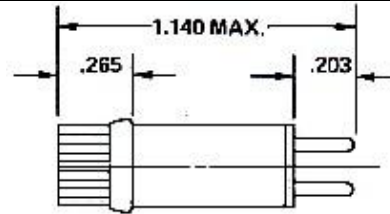
STYLE	LENS COLOR	LAMP NUMBER	CLIP/SOCKET
BG20	AC- Amber	NE2E NE2V A1C	Order as separate item
BG25	CC- Cloudy	NE2E NE2U A1B	Clip # 10767 furnished
BG70	RC- Red		In bulk with B- Lites
BG75	WC- Water	NE2H-33K= for 110 Volts	
BG90	GC- Green		Socket # 2K separately
BG 95	BC- Blue		Quoted and supplied
	Note: Blue, Green and white Lens colors are not recommended With neon glow lamps	NOTE: Available with LED'S contact ELDEMA	



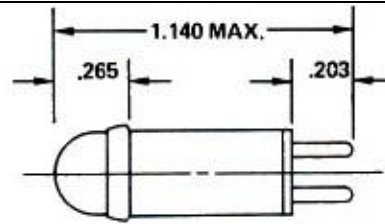


The Eldema solid state (LED) Mounted in the standard Eldema C-Lites package, they offer the versatility and And easy mounting of other Eldema cartridge lights. Their extremely long life, high reliability, resistance to Shock, vibration and catastrophic failure give them a wide application potential as visual indicator lights

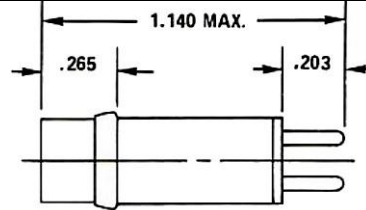
MATE WITH DH SERIES LAMPHOLDERS



CD 93 SHORT FLAT FLUTED LENS STYLE



CD 13 DOME LENS STYLE



CD 03 SHORT FLAT LENS STYLE

ORDERING INFORMATION

To order Eldema solid state CD-lites, refer to the table at the right and specify: Style, Lens shape, Lens color, finish and voltage

Example Part Number:
CD93-RCB -28VDC

MATERIALS

Lens – High strength plastic
Housing – Anodized aluminum
Header – High dielectric Molded Nylon

Will meet or exceeds requirements of MIL-L-3661

STYLE LENS SHAPE

LENS COLOR

FINISH

VOLTAGE

CD93
Short flat

RC – Red clear
AC – Amber clear
BC – Blue clear
YC – Yellow clear
WC – Water clear
GC – Green clear

B
(Black)

6.0/48 VDC

CD 13
Dome

S
(Silver)

Other voltages available on special order including A/C applications

CD03
Short flat

RT - Red translucent
AT – Amber translucent
BT – Blue translucent
YT – Yellow translucent
WT – White translucent
GT – Green translucent