



# MASTER CityWhite CDO-TT

## MASTER CityWhite CDO-TT Plus 250W/830 E40

Ceramic metal halide lamp with clear tubular outer bulb shape, used in outdoor offering pleasant white light

### Product data

General Information		Luminous Efficacy (rated) (Nom)	
Cap-Base	E40 [ E40]		113 lm/W
Operating Position	UNIVERSAL [ Any or Universal (U)]	Color Rendering Index (Nom)	88
Life to 5% Failures (Nom)	14000 h	LLMF 2000 h Rated	95 %
Life To 10% Failures (Nom)	16000 h	LLMF 4000 h Rated	92 %
Life to 20% Failures (Nom)	18500 h	LLMF 6000 h Rated	90 %
Life to 50% Failures (Nom)	23000 h	LLMF 8000 h Rated	88 %
LSF 2000 h Rated	99 %	LLMF 12000 h Rated	85 %
LSF 4000 h Rated	99 %	LLMF 16000 h Rated	82 %
LSF 6000 h Rated	99 %	LLMF 20000 h Rated	80 %
LSF 8000 h Rated	99 %	Ratio Scotopic/Photopic Lumens	1.30
LSF 12000 h Rated	98 %	Operating and Electrical	
LSF 16000 h Rated	90 %	Power (Nom)	250.0 W
LSF 20000 h Rated	71 %	Lamp Current Run-Up (Max)	4.2 A
Light Technical		Lamp Current (EM) (Nom)	2.92 A
Color Code	830 [ CCT of 3000K]	Ignition Peak Voltage (Max)	5000 V
Luminous Flux (Rated) (Nom)	28300 lm	Ignition Supply Voltage (Min)	198 V
Color Designation	Warm White (WW)	Re-Ignition Time (Min) (Max)	900 s
Chromaticity Coordinate X (Nom)	426	Ignition Time (Max)	30 s
Chromaticity Coordinate Y (Nom)	390	Voltage (Max)	108 V
Correlated Color Temperature (Nom)	3000 K	Voltage (Min)	92 V

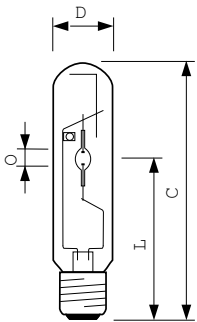
# MASTER CityWhite CDO-TT

Voltage (Nom)	100 V
<b>Controls and Dimming</b>	
Dimmable	Yes
Run-Up Time 90% (Max)	3 min
<b>Mechanical and Housing</b>	
Bulb Finish	Clear
<b>Approval and Application</b>	
Energy Efficiency Label (EEL)	A+
Mercury (Hg) Content (Nom)	25.3 mg
Energy Consumption kWh/1000 h	275 kWh
<b>UV</b>	
Pet (Niosh) (Min)	8 h/500lx

<b>Luminaire Design Requirements</b>	
Bulb Temperature (Max)	450 °C
Cap-Base Temperature (Max)	250 °C
<b>Product Data</b>	
Full product code	871829112197800
Order product name	MASTER CityWhite CDO-TT Plus 250W/830 E40
EAN/UPC - Product	8718291121978
Order code	928082319230
Numerator - Quantity Per Pack	1
Numerator - Packs per outer box	12
Material Nr. (12NC)	928082319230
Net Weight (Piece)	0.161 kg
ILCOS Code	MT-250/830-H-E40-48/260

## Warnings and Safety

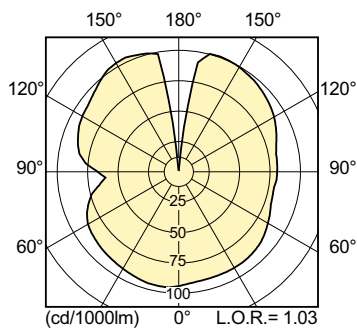
### Dimensional drawing



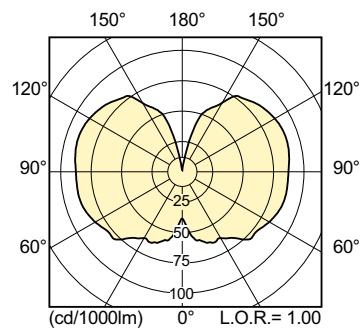
CDO-TT Plus 250W/830 E40

<b>Product</b>
MASTER CityWhite CDO-TT Plus 250W/830 E40

### Photometric data



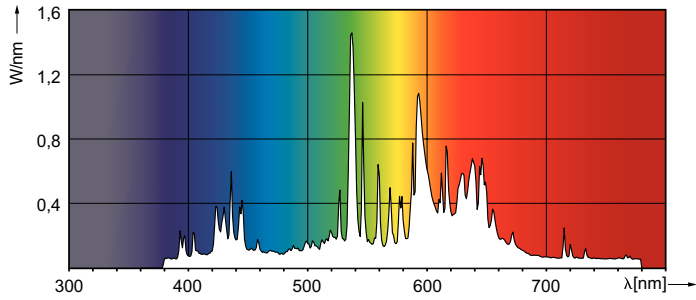
LDLD\_CDO-TT\_0004-Light distribution diagram



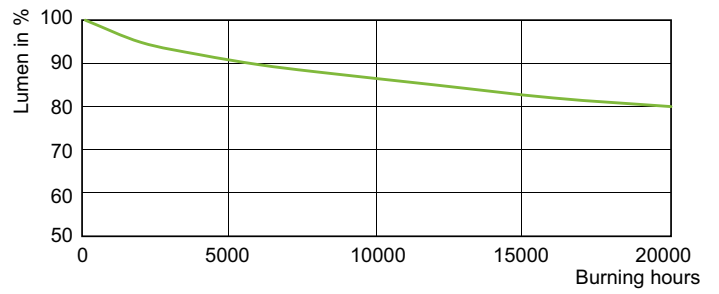
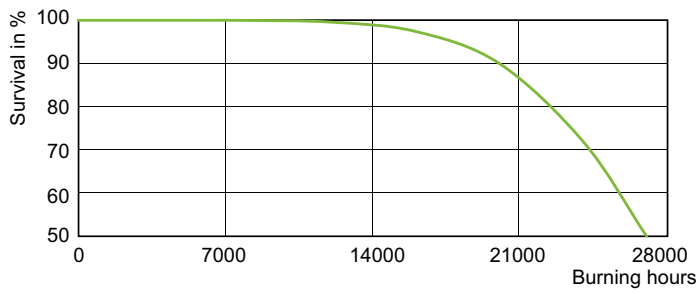
LDLD\_CDO-TT\_0005-Light distribution diagram

# MASTER CityWhite CDO-TT

## Photometric data



## Lifetime



LDLE\_CDO-TT\_0005-Life expectancy diagram

LDLM\_CDO-TT\_0003-Lumen maintenance diagram

