



# MASTER CityWhite CDO-TT

MASTER CityWhite CDO-TT Plus 250W/830 E40

Ceramic metal halide lamp with clear tubular outer bulb shape, used in outdoor offering pleasant white light

## Product data

### • General Characteristics

Cap-Base	E40
Bulb	T46 [T 46mm]
Bulb Finish	Clear
Operating Position	any [Any or Universal (U)]
Life to 5% failures	14000 hr
Life to 10% failures	16000 hr
Life to 20% failures	18500 hr
Life to 50% failures	23000 hr
LSF EM 2000h Rated, 12h cycle	99 %
LSF EM 4000h Rated, 12h cycle	99 %
LSF EM 6000h Rated, 12h cycle	99 %
LSF EM 8000h Rated, 12h cycle	99 %
LSF EM 12000h Rated, 12h cycle	98 %
LSF EM 16000h Rated, 12h cycle	90 %
LSF EM 20000h Rated, 12h cycle	71 %

### • Light Technical Characteristics

Color Code	830 [CCT of 3000K]
Color Rendering Index	88 Ra8
Color Designation (text)	Warm White
Color Temperature	3000 K
Color Temperature Technical	3000 K
Luminous Flux EM 25°C, Rated	28300 Lm

Lum Efficacy Rated EM 25°C	113 Lm/W
LLMF EM 2000h Rated	95 %
LLMF EM 4000h Rated	92 %
LLMF EM 6000h Rated	90 %
LLMF EM 8000h Rated	88 %
LLMF EM 12000h Rated	85 %
LLMF EM 16000h Rated	82 %
LLMF EM 20000h Rated	80 %
Chromaticity Coordinate X	426 -
Chromaticity Coordinate Y	390 -

### • Electrical Characteristics

Lamp Wattage	250 W
Lamp Wattage EM 25°C, Nominal	250.0 W
Lamp Wattage EM 25°C, Rated	250.0 W
Lamp Voltage	100 V
Lamp Current EM	2.92 A
Ignition Time	30 (max) s
Run-up time 90%	3 (max) min
Dimmable	Yes
Re-ignition Time [sec]	900 (max) s
Ratio scotopic/ photopic lumens	1.30 -

**PHILIPS**

## • Environmental Characteristics

Energy Efficiency Label (EEL)	A+
Mercury (Hg) Content	25.3 mg
Energy consumption kWh/1000h	275 kWh

## • UV-related Characteristics

PET (NIOSH)	8 (min) h500lx
-------------	----------------

## • Luminaire Design Requirements

Cap-Base Temperature	250 (max) C
Bulb Temperature	450 (max) C

## • Product Dimensions

Overall Length C	257 (max) mm
Diameter D	47 (max) mm

Light Center Length L	157 mm
Arc Length O	12.1 mm

## • Product Data

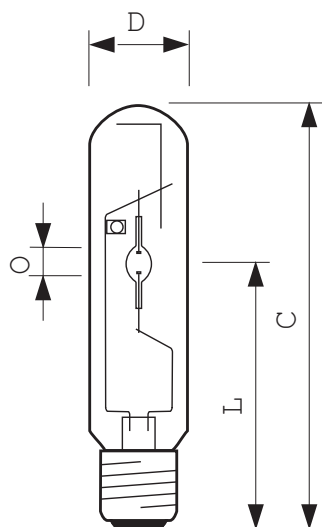
Order code	928082319230
Full product code	928082319230
Full product name	MASTER CityWhite CDO-TT Plus 250W/830 E40
Order product name	MASTER CityWh CDO-TT Plus 250W/830 E40
Pieces per pack	1
Packing configuration	12
Packs per outerbox	12
Bar code on pack - EAN1	8718291121978
Bar code on outerbox - EAN3	8718291121985
Logistic code(s) - 12NC	928082319230
ILCOS code	MT-250/830-H-E40-48/260
Net weight per piece	0.161 kg

## Warnings and Safety

- Use only in totally enclosed luminaire, even during testing (IEC61167, IEC 62035, IEC60598)
- The luminaire must be able to contain hot lamp parts if the lamp ruptures
- Lamps may use electronic or electromagnetic control gear
- Control gear must include end-of-life protection (IEC61167, IEC 62035)

- Warm restart time can be up to 15 minutes; T15 ignitors therefore advised
- A lamp breaking is extremely unlikely to have any impact on your health. If a lamp breaks, ventilate the room for 30 minutes and remove the parts, preferably with gloves. Put them in a sealed plastic bag and take it to your local waste facilities for recycling. Do not use a vacuum cleaner.

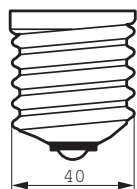
## Dimensional drawing



## MASTER CityWhite CDO-TT Plus 250W/830 E40

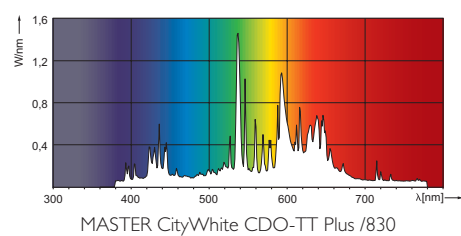
Product	C (Max)	D (Max)	L (Norm)	O (Norm)
CDO-TT Plus 250W/830 E40	257	47	157	12.1

Dimensional drawing



E40

Photometric data



© 2015 Koninklijke Philips N.V. (Royal Philips)  
All rights reserved.

Specifications are subject to change without notice. Trademarks are the property of Koninklijke Philips N.V. (Royal Philips) or their respective owners.

[www.philips.com/lighting](http://www.philips.com/lighting)

2015, July 18  
data subject to change