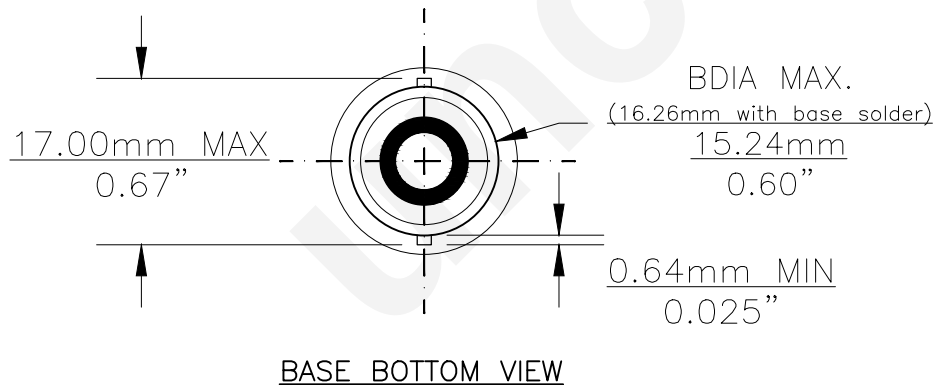
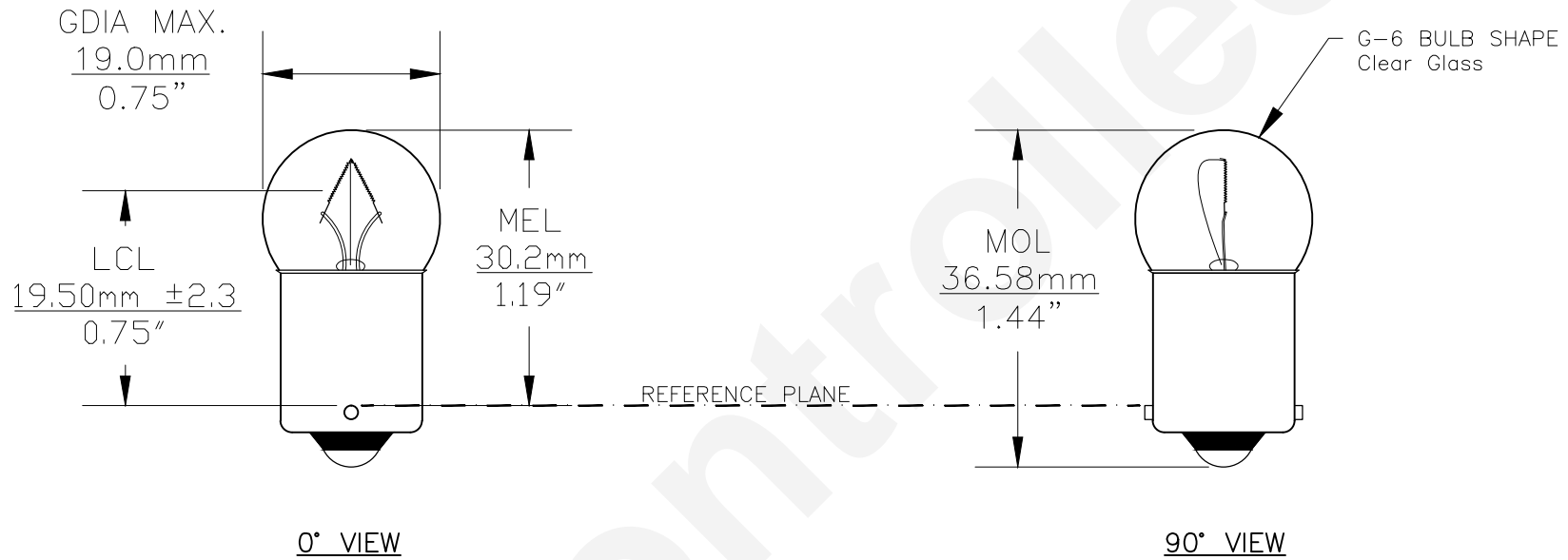




PART NO.	BASE TYPE	DESIGN VOLTS	DESIGN AMPS	MSCD	FILAMENT TYPE	AVERAGE LIFE HOURS	REVISIONS			
							REV #	DESCRIPTION	DATE	APPROVED
CE1	S.C. BAYONET (BA15s)	36.0V	0.28 ±8%	0.29±30%	C-2V	300	1	REDRAWN FOR ADDITIONAL VIEWS	11/03/2014	R.M.



UNLESS OTHERWISE SPECIFIED: DIMENSIONS ARE IN INCHES TOLERANCES		CEC INDUSTRIES LTD	
DECIMALS .XX ± .05	ANGULAR ± 0.5°	599 BOND STREET	LINCOLNSHIRE, IL 60069
.XXX ± .010	FRACTIONAL ± 1/64	TITLE LIGHT BULB NO. CE1	
DRAWN D. C.	DATE 12/23/2004	SIZE A	FSCM NO. DWG NO. CE1 REV 1
CHECKED	DESIGN	SCALE	PLOT SCALE SHEET 1 OF 1
MATERIAL	FILE CE1.pdf	DRAWING NOT TO SCALE	