

# 30W 24VDC LED Driver



## FEATURES

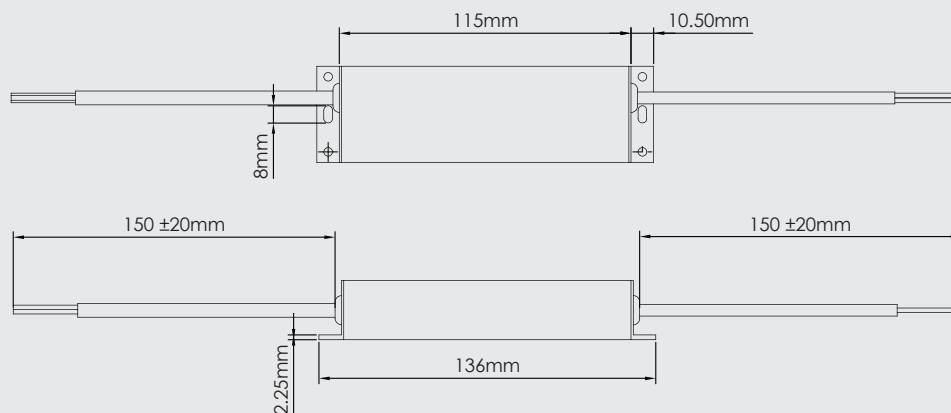
- Constant Voltage Design
- Universal AC Input 100~277VAC
- Operating Temperature: -25°C~+50°C
- Overload, Over-Voltage, Short-Circuit, and Over-Temperature Protections
- Typical Efficiency: 88% (±1%)
- 100% Full Load Burn-in Test
- IP-66 Protection, Outdoor Rated
- 5-Year Manufacturer's Limited Warranty
- CE, UL, SAM Certified & RoHS Compliant



## PRODUCT SPECIFICATIONS

<b>Input Voltage</b>	100~277VAC
<b>Output Voltage</b>	24VDC
<b>Rated Power</b>	30W
<b>Rated Current</b>	1.25A
<b>IP Rating</b>	IP66

## PRODUCT DIMENSIONS



# 30W 24VDC LED Driver



## Specifications & Data

Project/Job	Notes
Date	
Comments	
Prepared by	

## ORDERING INFORMATION

Part Number	Input Voltage	Output Voltage	Rated Power
CL-CLP-30-24	100-277V AC	24V DC	30W

## DERATING CURVE

