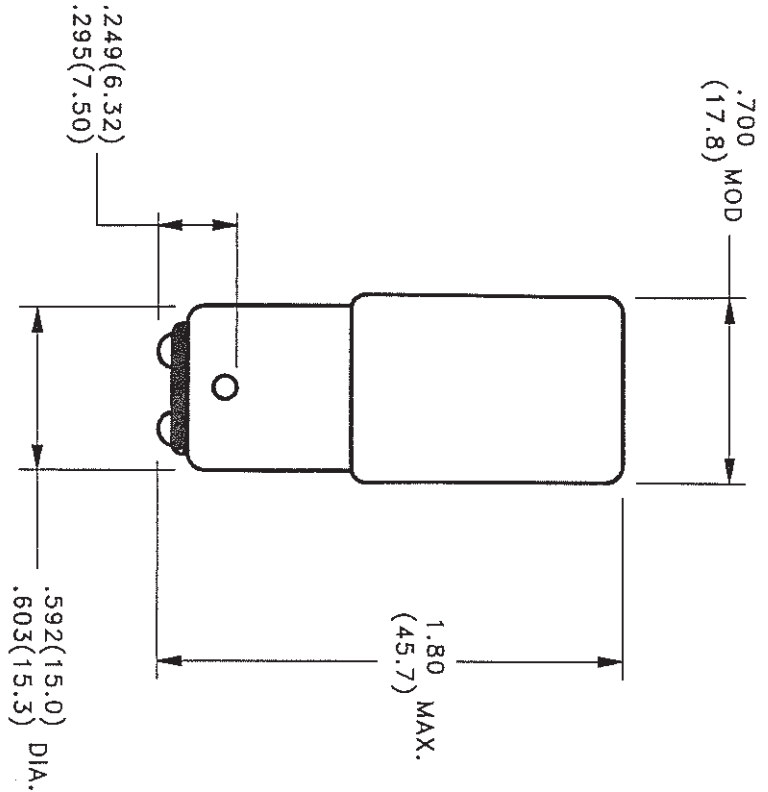




**CHICAGO MINIATURE**  
 WHERE INNOVATION COMES TO LIGHT



**NOTES:**

1. FILAMENT SHAPE MUST BE UNIFORM WITH COILS EVENLY SPACED AND FREE OF TWIST OR SHORTING.
2. BULB SHALL BE CLEAN WITH NO FOREIGN MATERIALS OR GLASS CHIPS INSIDE.
3. CENTER OF FILAMENT SHALL BE WITHIN THE CENTER 1/3 OF THE BULB.
4. LAMPS SHALL BE CAPABLE OF OPERATION AND STORAGE AT TEMPERATURES FROM -65 °C TO +100 °C WITHOUT DEGRADATION.
5. LAMPS SHALL BE PACKAGED IN CONTAINERS SUITABLE TO PREVENT BREAKAGE DURING SHIPMENT.
6. LAMP BASE TO BE NICKEL PLATED D.C. BAYONET.

*JUN 20 2011*

*1/29/98*

**Superseded by Drawing #**  
**A14726 Rev A**

ELECTRICAL CHARACTERISTICS				
VOLTS	WATTS	AMPS	MSCP NOM.	LIFE HOURS (AVG.)
24.0	6.5	.271 ± .027	2.50	1500
				FILAMENT SHAPE
				C-2V

REVISIONS			
LTR.	DESCRIPTION	DATE	APP.

DRAWN BY K. MURPHY	DATE 5/17/96	TOLERANCES UNLESS OTHERWISE SPECIFIED	DESCRIPTION T-6 D.C. BAYONET BASE LAMP	PART NUMBER CM8-A234
CHECKED D.E. FORSMAN	5/17/96	3 PLACE ± .XXX		
APPROVED DON MACCRINDLE	5/17/96	2 PLACE ± .XX		
PREVIOUSLY WAS EX-4756		ANGULAR ± .X		
		FRACTIONAL ± X/X		
DIMENSIONS IN PARENTHESES ARE IN mm		SCALE NTS		
			REVISION	SHEET 1 OF 1