



Scottsdale® Legacy Universal Superkit® 2x2 (CRUSK UNV)

LED 2x2 Canopy Luminaire Retrofit Kit



OVERVIEW

Lumen Package (lm)	5,000 - 22,000
Wattage Range (W)	38 - 152
Efficacy Range (LPW)	114 -156
Weight lbs (kg)	23 (10.4)

QUICK LINKS

FEATURES & SPECIFICATIONS

Construction

- Features a ultra-slim 11/16" profile die-cast housing, with flat clear tempered glass lens attached to a die formed galvanized steel adaptor panel. Unit is water-resistant, sealed and IP66 rated.
- Standard color is white and is finished with LSI's DuraGrip® polyester powder coat process. DuraGrip withstands extreme weather changes without cracking or peeling.
- Luminaire assembly incorporates a pressure stabilizing vent breather to prevent seal fatigue and failure.

Optical System

- Features an array of select, mid-power, high brightness, high efficiency LED; 3000K, 4000K, 5000K color temperature, 80 CRI (nominal).
- Choice of Symmetric or Asymmetric distribution. Asymmetric provides a wider distribution pattern.
- Six Lumen Packages: 5,000, 9,000, 10,000, 13,000, 18,000 and 22,000 Lumens.

Electrical

- High performance factory programmable driver features over-voltage, under voltage, short-circuit and over temperature protection with integral 6kV surge protection that meets IEEE C62.41.2 and ANSI C82.77-5 Location Category C Low standards. Additional field replaceable

10kV surge protection device meets a minimum Category C Low operation (per ANSI/IEEE C62.41.2). Custom lumen and wattage packages available.

- Driver components are fully encased in potting for moisture resistance. Complies with IEC and FCC standards. 0-10 V dimming supplied standard with all drive currents.
- Universal voltage power supply, 120-277 VAC, 50/60 HZ and 347-480 VAC, 50/60 HZ input.
- -40°C to 55°C (-40°F to 131°F) ambient operating temperature. (Varies based on lumen package and mounting style see performance data for specifics.)
- Minimum 60,000 to 100,000 hours depending upon the ambient temperature of the installation location (see performance data for specifics.)

Installation

- One-person installation.
- Pre-assembled optical unit. Adaptor panel hinges and fastens to the existing fixture housing in place of existing door assembly. Driver is pre-mounted to back of CRUSK UNV assembly.
- Superkit® enables retrofit of many existing 2X2 canopy fixtures (including LSI, Whiteway and Jet-Philips) without having to know the dimensions of the existing fixture.

Warranty

- LSI luminaires carry a 5-year limited warranty. Refer to <https://www.lsicorp.com/resources/terms-conditions-warranty/> for more information.

Listings

- UL and ETL listed to UL 1598, UL 8750 and other U.S. and International safety standards. Suitable for wet locations.
- Meets Buy American Act requirements.
- IDA compliant with 3000K or lower color temperature.
- DesignLights Consortium® (DLC) qualified product. Not all versions of this product may be DLC qualified. Please check the DLC Qualified Products List at www.designlights.org/QPL to confirm which versions are qualified.

ORDERING GUIDE

TYPICAL ORDER EXAMPLE: CRUSK UNV SC LED HO 50 UE WHT						
Prefix	Distribution	Light Source	Drive Current	Color Temperature	Input Voltage	Finish
CRUSK UNV - Universal 2x2	SC - Symmetric AC - Asymmetric ¹	LED	SLW - Super Low Watt VLW - Very Low Watt LW - Low Watt SS - Super Saver HO - High Output VHO - Very High Output	50 - 5,000K 40 - 4,000K 30 - 3,000K	UE - Universal Voltage (120 - 277V) HV - High Voltage (347 - 480V)	WHT - White BLK - Black BRZ - Bronze



Need more information?
[Click here for our glossary.](#)

Have additional questions?
 Call us at (800) 436-7800



PERFORMANCE

Delivered Lumens ²											
Lumen Package	Distribution	3000K			4000K			5000K			Wattage
		Delivered Lumens	Efficacy	BUG Rating	Delivered Lumens	Efficacy	BUG Rating	Delivered Lumens	Efficacy	BUG Rating	
VHO	SC	21301	140	B4-U0-G2	21835	144	B4-U0-G2	22697	150	B4-U0-G2	152
	AC	17355	114	B3-U0-G3	17799	117	B3-U0-G3	18502	122	B3-U0-G3	
HO	SC	17889	143	B3-U0-G1	18346	146	B3-U0-G2	19071	152	B4-U0-G2	125
	AC	14582	116	B3-U0-G2	14955	119	B3-U0-G2	15546	124	B3-U0-G2	
SS	SC	13113	141	B3-U0-G1	13449	144	B3-U0-G1	13980	150	B3-U0-G1	93
	AC	11468	123	B3-U0-G2	11761	126	B3-U0-G2	12226	131	B3-U0-G2	
LW	SC	10457	144	B3-U0-G1	10724	148	B3-U0-G1	11148	154	B3-U0-G1	73
	AC	9145	126	B2-U0-G2	9379	129	B2-U0-G2	9749	134	B2-U0-G2	
VLW	SC	8783	146	B3-U0-G1	9008	149	B3-U0-G1	9364	155	B3-U0-G1	60
	AC	7681	127	B2-U0-G1	7878	131	B2-U0-G1	8189	136	B2-U0-G1	
SLW	SC	5585	146	B2-U0-G1	5728	150	B2-U0-G1	5954	156	B2-U0-G1	38
	AC	4884	128	B1-U0-G1	5009	131	B1-U0-G1	5207	136	B1-U0-G1	

Electrical Data - Current Draw AMPS ³							
Lumen Package	Wattage	120V	208V	240V	277V	347V	480V
VHO	152	1.27	0.73	0.64	0.55	0.44	0.32
HO	124	1.03	0.6	0.52	0.45	0.36	0.26
SS	92	0.77	0.44	0.38	0.33	0.27	0.19
LW	72	0.6	0.35	0.3	0.26	0.21	0.15
VLW	60	0.5	0.29	0.25	0.22	0.17	0.13
SLW	38	0.32	0.18	0.16	0.14	0.11	0.08

Operating Temperature		
LUMEN PACKAGE	MOUNTING	Max
VHO	Metal/Wood Canopy	45 C
HO	Metal/Wood Canopy	45 C
SS	Metal/Wood Canopy	55 C

Recommended Lumen Maintenance - CRUSK UNV VHO ⁴					
Ambient Temperature	Initial ⁵	25K hrs. ⁵	50K hrs. ⁵	75K hrs. ⁶	100K hrs. ⁶
0 C	102%	97%	92%	88%	84%
10 C	102%	97%	92%	88%	84%
20 C	102%	97%	92%	88%	84%
25 C	102%	97%	92%	88%	84%
30 C	102%	97%	92%	88%	84%
40 C	101%	95%	90%	85%	80%
50 C	101%	94%	89%	83%	78%

Recommended Lumen Maintenance - CRUSK UNV VHO ⁴					
Ambient Temperature	Initial ⁵	25K hrs. ⁵	50K hrs. ⁵	75K hrs. ⁶	100K hrs. ⁶
0 C	102%	97%	92%	88%	84%
10 C	102%	97%	92%	88%	84%
20 C	102%	97%	92%	88%	84%
25 C	102%	97%	92%	88%	84%
30 C	102%	97%	92%	88%	84%
40 C	102%	97%	92%	88%	84%
50 C	101%	95%	91%	86%	82%

1 AC distribution utilizes a reflector which alters the look from a standard SC distribution.

2 LEDs are frequently updated therefore values are nominal.

3 Electrical data at 25C (77F). Actual wattage may differ by +/-10%.

4 Lumen maintenance values at 25° C are calculated per TM-21 based on LM-80 data and in-situ luminaire testing.

5 In accordance with IESNA TM-21-11, Projected Values represent interpolated value based on time durations that are within six times (6X) the IESNA LM-80-08 total test duration (in hours) for the device under testing (DUT) i.e. the packaged LED.

6 In accordance with IESNA TM-21-11, Calculated Values represent time durations that exceed six times NA LM-80-08 total test duration (in hours) for the device under testing (DUT) i.e. the packaged LED.

 Have questions? Call us at (800) 436-7800

PHOTOMETRICS

Luminaire photometry has been conducted by a NVLAP accredited testing laboratory in accordance with IESNA LM-79-08. As specified by IESNA LM-79-08 the entire luminaire is tested as the source resulting in a luminaire efficiency of 100%.

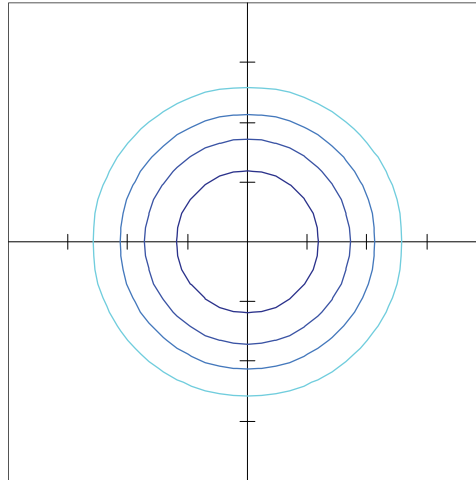
See the individual product page on <https://www.lsicorp.com/> for detailed photometric data.

CRUSK-UNV-SC-SS-50

Luminaire Data	
Type 5 Distribution	
Description	5000 Kelvin, 80 CRI
Delivered Lumens	13,980
Watts	93
Efficacy	150
IES Type	Type VS - Very Short
BUG Rating	B3-U0-G1

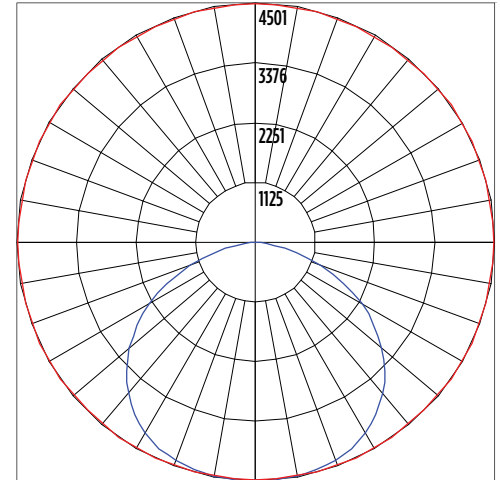
Zonal Lumen Summary		
Zone	Lumens	% Luminaire
Low (0-30°)	3654.2	26%
Medium (30-60°)	7541.2	54%
High (60-80°)	2641.4	19%
Very High (80-90°)	143.2	1%
Uplight (90-180°)	0	0%
Total Flux	13980	100%

ISO Footcandle



10' Mounting Height / 10' Grid Spacing
 5 FC 2 FC 1 FC 0.5 FC

Polar Curve



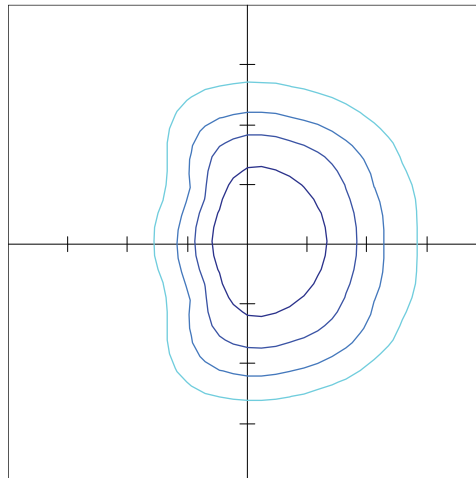
Vertical Plane Horizontal Cone

CRUSK-UNV-AC-SS-50

Luminaire Data	
Type 3 Distribution	
Description	5000 Kelvin, 80 CRI
Delivered Lumens	12,226
Watts	93
Efficacy	131
IES Type	Type III, Very Short
BUG Rating	B3-U0-G2

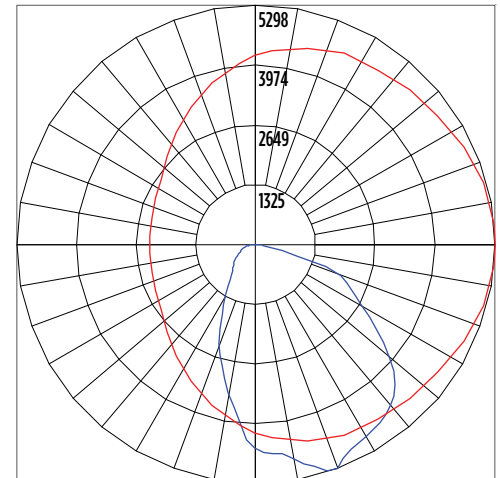
Zonal Lumen Summary		
Zone	Lumens	% Luminaire
Low (0-30°)	3240.3	27%
Medium (30-60°)	6245.5	51%
High (60-80°)	2594.6	21%
Very High (80-90°)	146.1	1%
Uplight (90-180°)	0	0%
Total Flux	12227	100%

ISO Footcandle



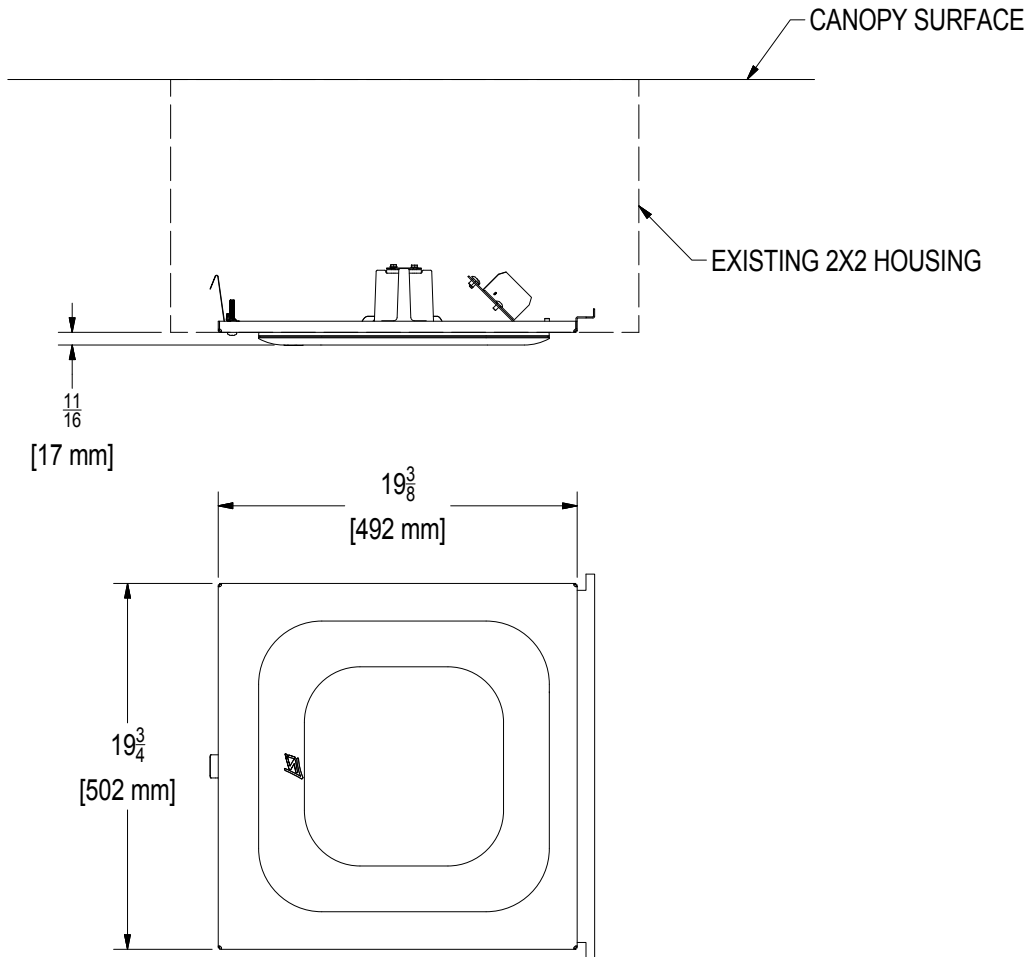
15' Mounting Height / 15' Grid Spacing
 5 FC 2 FC 1 FC 0.5 FC

Polar Curve



Vertical Plane Horizontal Cone

PRODUCT DIMENSIONS



PRODUCT DIMENSIONS

Line Drawing Line Weight
0.15 pt

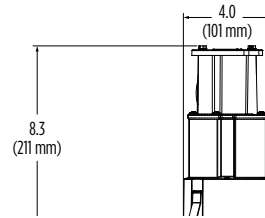
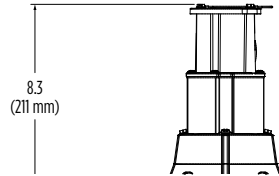
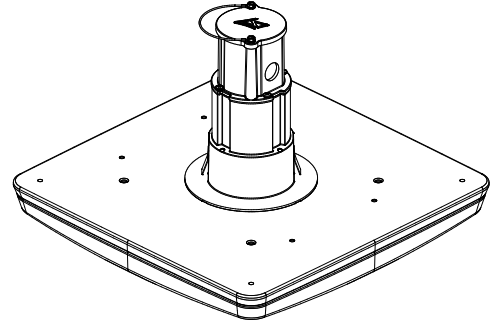
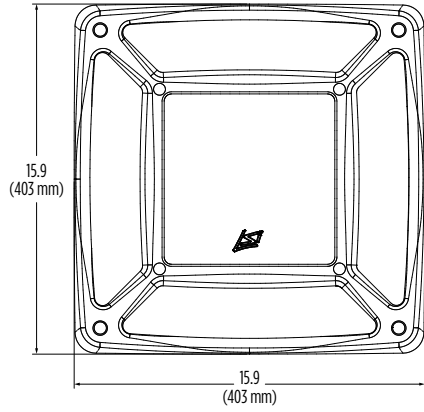


Dimension Line Weight
0.125 pt



Arrowheads
Applied to end point of path
Arrow 9
175%

Dimension Text
Gotham Condensed
8 pt size / 8 pt leading
Secondary dimensions on next line
in parenthesis (mm)



CONTROLS

Integral Bluetooth™ Motion and Photocell Sensor (IMSBT1, IMSBT2)

Slim low profile sensor provides multi-level control based on motion and/or daylight. Sensor controls 0-10 VDC LED drivers and is rated for cold and wet locations (-30° C to 70° C). Two unique PIR lenses are available and used based on fixture mounting height. All control parameters are adjustable via an iOS or Android App capable of storing and transmitting sensor profiles.

[Click here to learn more details about IMSBT](#)

AirLink Wireless Lighting Controller (ALSC, ALSCS)

The AirLink integrated controller is a California Title 24 compliant lighting controller that provides real-time light monitoring and control with utility-grade power monitoring. It includes a 24V sensor input and power supply to connect a sensor into the outdoor AirLink wireless lighting system. The wireless integrated controller is compatible with this fixture.

[Click here to learn more details about AirLink](#)

AirLink Blue (ALBC, ALBCS1, ALBCS2)

Wireless Bluetooth Mesh Lighting Control System that provides energy savings, code compliance and enhanced safety/security. Three key components; Bluetooth wireless radio/sensor controller, Time Keeper and an App. Capable of grouping multiple fixtures and sensors as well as scheduling time-based events by zone. Radio/Sensor Controller is factory integrated into luminaires.

[Click here to learn more details about AirLink Blue](#)

RETROFIT KITS

LSI Industries offers a full line of Retrofit Kits for existing Encore, Richmond, 2x2 Universal and many more older canopy luminaires.

[Click here to learn more details on all our Retrofit Kits](#)

POLES & BRACKETS

LSI offers a full line of poles and mounting accessories to complete your lighting assembly. Aluminum and steel in both square and round shafts. In addition, LSI offers round tapered, fluted and hinge based poles. Designed and engineered for durability and protected with our oven baked DuraGrip Protection System. Also available with our DuraGrip+ Protection system for unmatched corrosion resistance and an extended warranty. American made in our Ohio facility with industry leading lead times.

[Click here to learn more details about poles & brackets](#)



BKA UMB CLR

The 3G rated UMB allows for seamless integration of LSI luminaires onto existing/ retrofit or new construction poles. The UMB was designed for square or round (tapered or straight) poles with two mounting hole spacings between 3.5" – 5".



BKA ASF CLR

The adjustable Slip Fitter is a 3G rated rugged die cast aluminum adapter to mount LSI luminaires onto a onto a 2" iron pipe , 2 3/8 OD tenon. The Adjustable Slip Fitter can be rotated 180° allowing for tilting LSI luminaires up to 45° and 90° when using a vertical tenon.



BKS PQM15 CLR

The Pole Quick Mount Bracket allows for preset 15° uptilt of LSI luminaires for greater throw of light and increased vertical illumination as well as fast installation onto poles with LSI's 3" or 5" bolt pattern.



BKS PQMH CLR

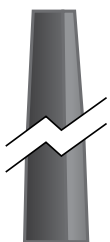
The Pole Quick Mount Bracket allows for lightning fast installation of LSI luminaires onto existing and new construction poles with LSI's B3 or B5 standard pole bolt patterns.



Square Pole
14'-39'



Round Pole
10'-30'



Tapered Pole
20'-39'