

LED Luminaires

Commercial Slim Downlight

- Select from Five Color Temperatures
- IC, Air Tight and Wet Location Rated
- Triac/ELV or 0-10V Dimmable with the Same Driver

Specifications

Description

The Commercial Slim Downlight family of fixtures are designed with the installer and end user in mind. Spring clips with remote mounted driver box eliminate the need for additional housings. Selectable color temperature and multiple technologies mean one fixture can fulfill the lighting needs for many different applications from residential to hospitality to commercial spaces.

Performance

- Field Selectable CCT (2700K, 3000K, 3500K, 4000K, 5000K)
- Field Selectable lumen output
- 120-277V, 50/60 Hz Triac/ELV and 0-10V dimming driver to 10%
- 90 CRI
- L70 Lumen maintenance > 50,000 hours
- Up to 105 lumens per watt
- 5 Year Limited Warranty

Certifications

- cETLus rated for wet locations
- Air tight certified per ASTM E283-2004
- IC rated for direct contact with insulation
- Energy Star rated
- RoHS compliant
- FCC Part 15 compliant
- Title 24 compliant



Construction

- Aluminum housing
- Canless design with spring retention clips and remote mounted driver box
- Edge Lit LED design with frosted PMMA diffuser
- Field selectable CCT switch
- Field selectable lumen output switch
- Remote driver box with plenum rated quick connect cord

Commercial Slim Downlight

Ordering Logic:

Series	Product Size	Lumen Output	CRI/CCT	Trim	Voltage/Dimming
CDSL = Commercial Slim Downlight	4 = 4" 6 = 6" 8 = 8"	LS = Lumen Selectable 4": 660/820/1075 6": 820/1100/1230 8": 1100/1230/1500	CS = 90 CRI, Color Selectable (27K/30K/35K/40K/50K)	ST = Smooth Trim BT = Baffle Trim	DDV = Dual Dimming Universal 120-277V 0-10V Dimming OR 120V TRIAC/ELV

Ordering Information

Product SKU	Product Code	Product Description	Energy Star ID
89168	CSDL-4-LS-CS-ST-DDV	Commercial Slim Downlight 4in 13W Lumen Select 660/820/1075lm 2700-5000K Color Selectable Smooth Trim 120-277V Dimmable TRIAC/ELV & 0-10V	3845270
89169	CSDL-6-LS-CS-ST-DDV	Commercial Slim Downlight 6in 15W Lumen Select 820/1100/1230lm 2700-5000K Color Selectable Smooth Trim 120-277V Dimmable TRIAC/ELV & 0-10V	3845269
89170	CSDL-8-LS-CS-ST-DDV	Commercial Slim Downlight 8in 18W Lumen Select 1100/1230/1500lm 2700-5000K Color Selectable Smooth Trim 120-277V Dimmable TRIAC/ELV & 0-10V	3845272
89171	CSDL-4-LS-CS-BT-DDV	Commercial Slim Downlight 4in 13W Lumen Select 660/820/1075lm 2700-5000K Color Selectable Baffle Trim 120-277V Dimmable TRIAC/ELV & 0-10V	3845268
89172	CSDL-6-LS-CS-BT-DDV	Commercial Slim Downlight 6in 15W Lumen Select 820/1100/1230lm 2700-5000K Color Selectable Baffle Trim 120-277V Dimmable TRIAC/ELV & 0-10V	3845267
89173	CSDL-8-LS-CS-BT-DDV	Commercial Slim Downlight 8in 18W Lumen Select 1100/1230/1500lm 2700-5000K Color Selectable Baffle Trim 120-277V Dimmable TRIAC/ELV & 0-10V	3845271
Accessories			
89166	FSDLS/RP3RD	ProLED Select Direct Fit Slim Downlight Rough In Pan 3"	
89104	FSDLS/RP4RD	ProLED Select Direct Fit Slim Downlight Rough In Pan 4"	
89105	FSDLS/RP6RD	ProLED Select Direct Fit Slim Downlight Rough In Pan 6"	
89129	DFDLS-RP-468-RD	ProLED Select Direct Fit Slim Downlight Adjustable Rough In Pan 4", 6", 8"	
89142	ACC-NCP-ABH-4R	4" Round New Construction Pan w/Adjustable Bar Hangers	
89143	ACC-NCP-ABH-6R	6" Round New Construction Pan w/Adjustable Bar Hangers	
89102	FSDLS/EXT12	ProLED Select Direct Fit Slim Downlight Extension Cable 12"	
89120	DFDLS4-RT-RD-BK	ProLED Select Direct Fit Slim Downlight 4" Round Replaceable Trim Black	
89121	DFDLS6-RT-RD-BK	ProLED Select Direct Fit Slim Downlight 6" Round Replaceable Trim Black	
89122	DFDLS8-RT-RD-BK	ProLED Select Direct Fit Slim Downlight 8" Round Replaceable Trim Black	
89123	DFDLS4-RT-RD-SN	ProLED Select Direct Fit Slim Downlight 4" Round Replaceable Trim Satin Nickel	
89124	DFDLS6-RT-RD-SN	ProLED Select Direct Fit Slim Downlight 6" Round Replaceable Trim Satin Nickel	
89125	DFDLS8-RT-RD-SN	ProLED Select Direct Fit Slim Downlight 8" Round Replaceable Trim Satin Nickel	
89126	DFDLS4-RT-RD-BZ	ProLED Select Direct Fit Slim Downlight 4" Round Replaceable Trim Bronze	
89127	DFDLS6-RT-RD-BZ	ProLED Select Direct Fit Slim Downlight 6" Round Replaceable Trim Bronze	
89128	DFDLS8-RT-RD-BZ	ProLED Select Direct Fit Slim Downlight 8" Round Replaceable Trim Bronze	

Commercial Slim Downlight

Performance Table

Product Code	Wattage	2700K		3000K		3500K		4000K		5000K	
		Lumen (lm)	Efficacy (lm/W)	Lumen (lm)	Efficacy (lm/W)	Lumen (lm)	Efficacy (lm/W)	Lumen (lm)	Efficacy (lm/W)	Lumen (lm)	Efficacy (lm/W)
CSDL-4-LS-CS-ST-DDV	13	1079	84	1129	90	1166	92	1163	93	1154	90
CSDL-6-LS-CS-ST-DDV	15	1249	85	1297	91	1325	92	1344	93	1322	90
CSDL-8-LS-CS-ST-DDV	18	1654	97	1706	101	1755	103	1776	105	1745	102
CSDL-4-LS-CS-BT-DDV	13	1082	84	1115	89	1151	91	1167	92	1144	89
CSDL-6-LS-CS-BT-DDV	15	1246	86	1297	92	1329	94	1356	97	1318	92
CSDL-8-LS-CS-BT-DDV	18	1598	91	1646	94	1704	97	1721	99	1681	96

Specifications Table

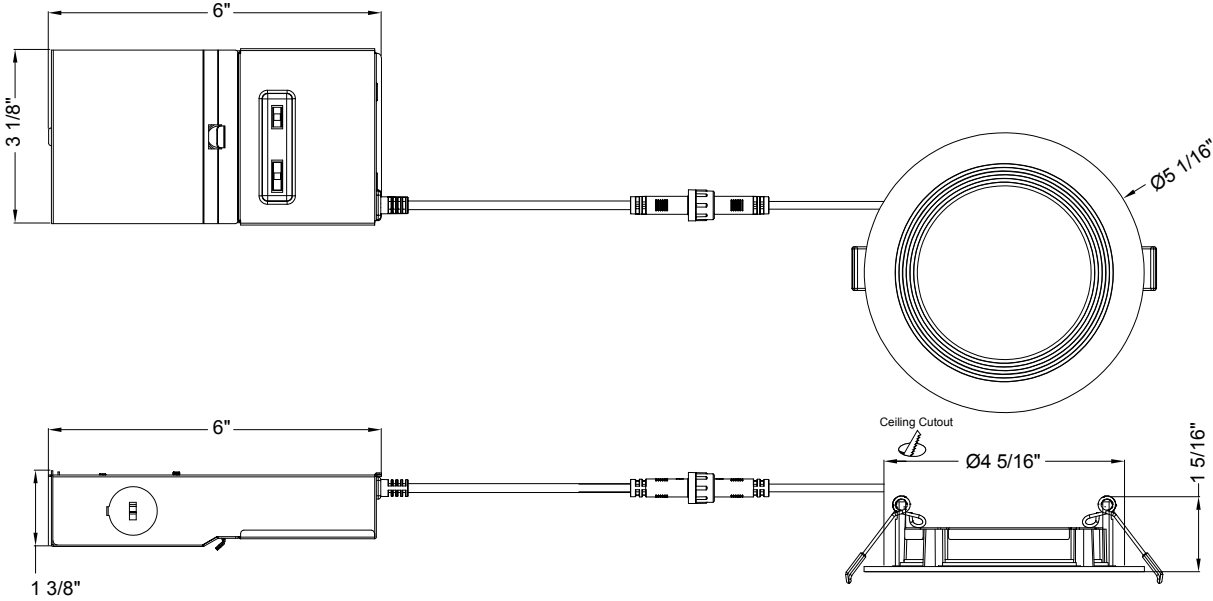
	CSDL-4-LS-CS-XX-DDV	CSDL-6-LS-CS-XX-DDV	CSDL-8-LS-CS-XX-DDV
Nominal Wattage	13W	15W	18W
Delivered Lumens	660/820/1075	820/1100/1230	1100/1230/1500
Efficacy (lm/W)	84 - 93	85-97	91 - 105
CCT	Selectable - 2700K, 3000K, 3500K, 4000K, 5000K		
CRI	90+		
Beam Angle	110°		
L70 Lifetime (hrs)	50,000		
Voltage	120V, 50/60Hz		
Power Factor	>0.9		
Dimming	Triac/ELV and 0-10V		
Housing Material	Aluminum		
Lens	PMMA		
Operating Temperature	-20°C to 40°C		
Listings	cETLus, FCC, RoHS, Wet Location, IC Rated, Air Tight, Title 24, JA8, Energy Star®		
Environment	Wet Location, IC Rated, Air Tight		
Warranty	5 Years Standard		

SKU	Ceiling Cutout
89168	4-5/16"
89169	6-5/16"
89170	8-4/16"
89171	4-5/16"
89172	6-5/16"
89173	8-4/16"

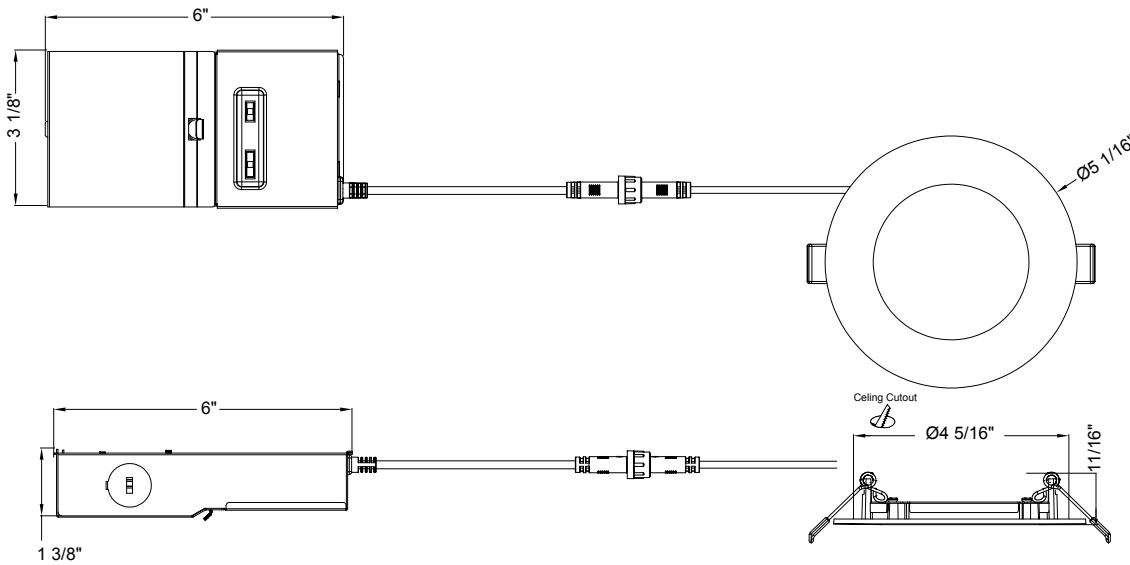
Dimmer Compatibility List	
Dimmer Brand	Dimmer Model
Lutron	DVCL-153PR-WH
Lutron	CTCL-153PDH-WH
Lutron	TGCL-153PH-WH
Lutron	MACL-153MH-WH
Lutron	P-PKG1W-WH-R
Lutron	R62-06674-POW
Lutron	R12-06672-1L
Lutron	R50-IPLO6-10M
Eaton	SALO6P-LA-K

Commercial Slim Downlight Dimensions

CSDL-4-LS-CS-BT-DDV

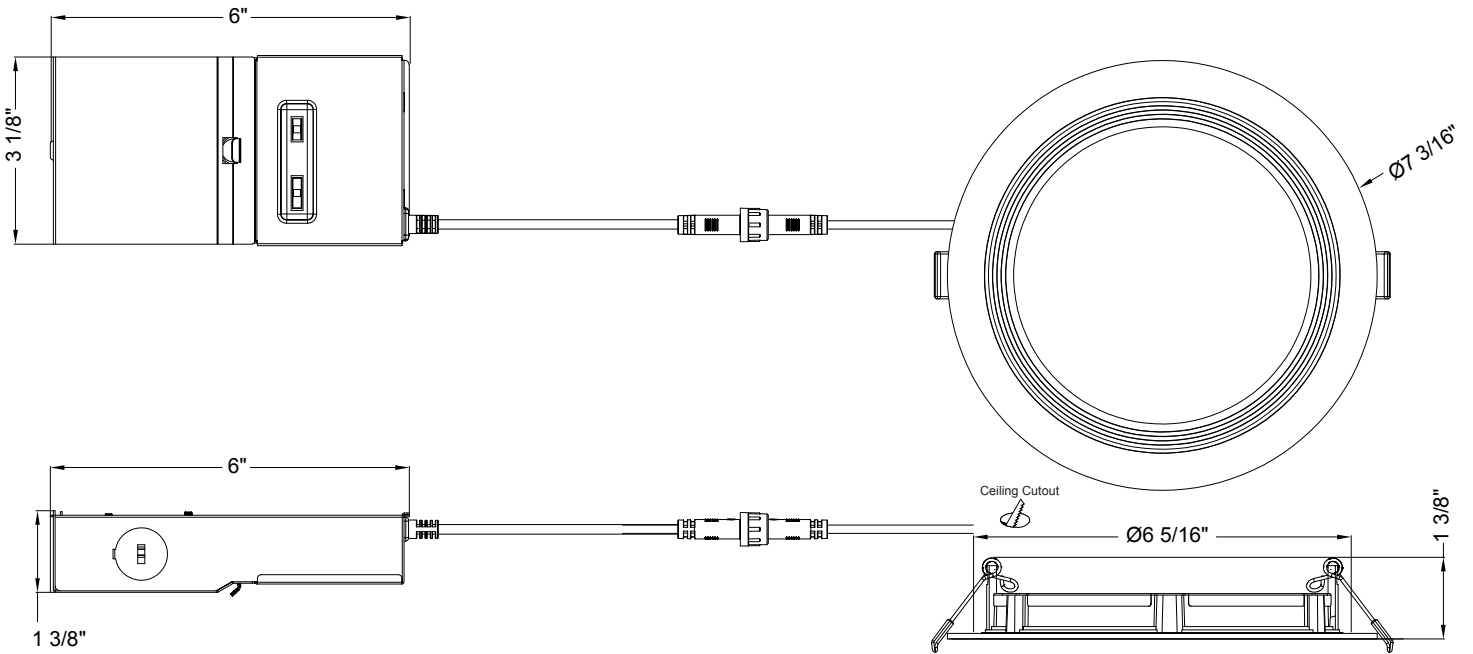


CSDL-4-LS-CS-ST-DDV

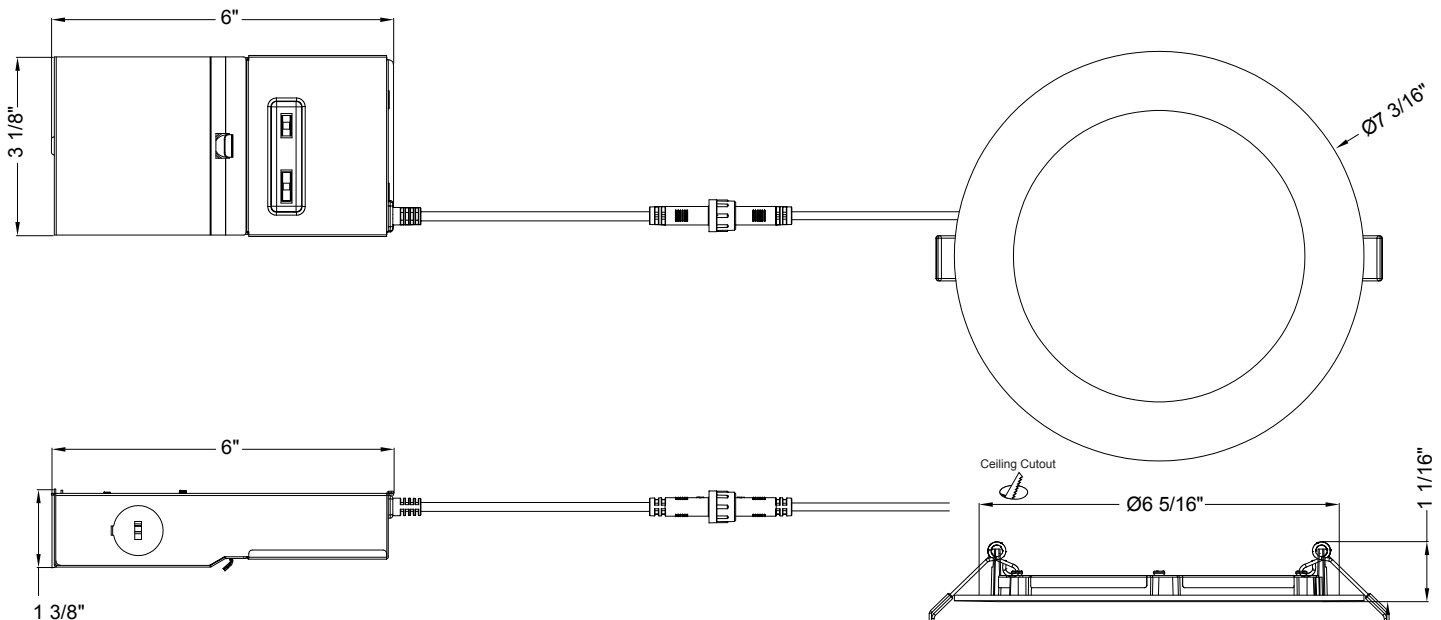


Commercial Slim Downlight Dimensions

CSDL-6-LS-CS-BT-DDV

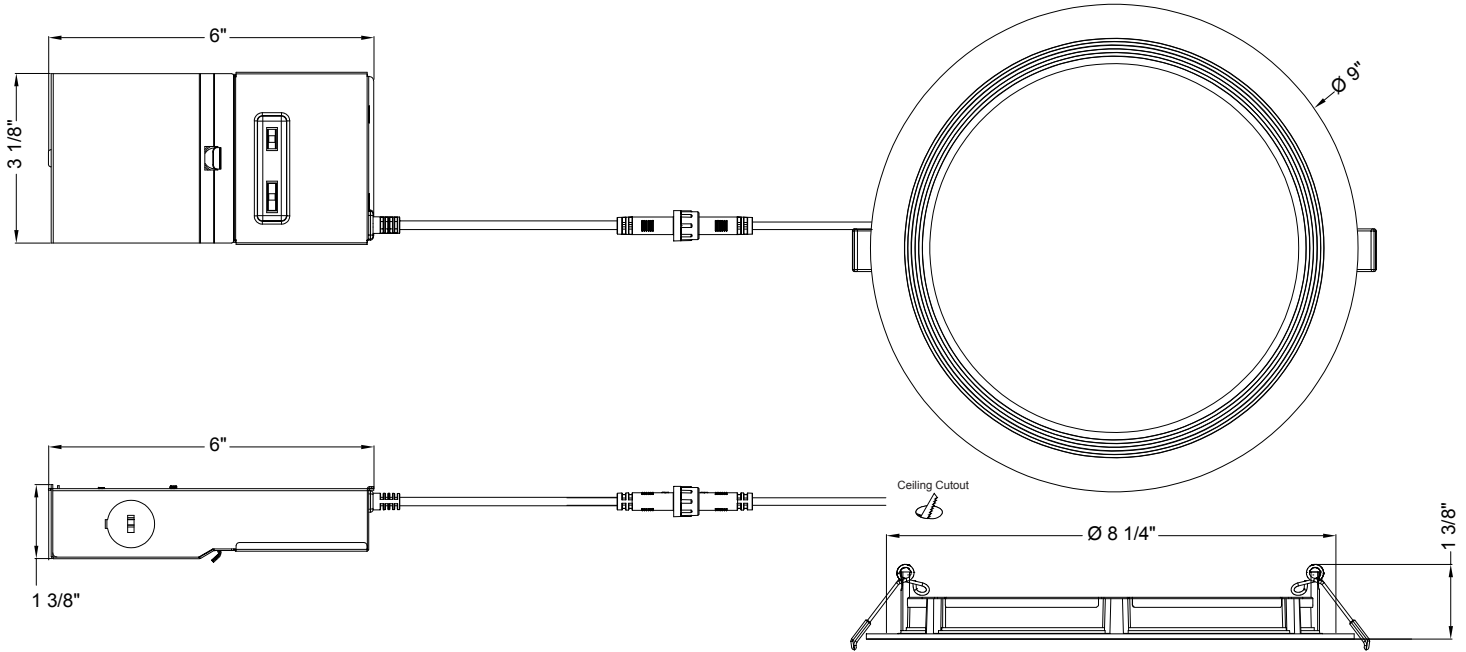


CSDL-6-LS-CS-ST-DDV

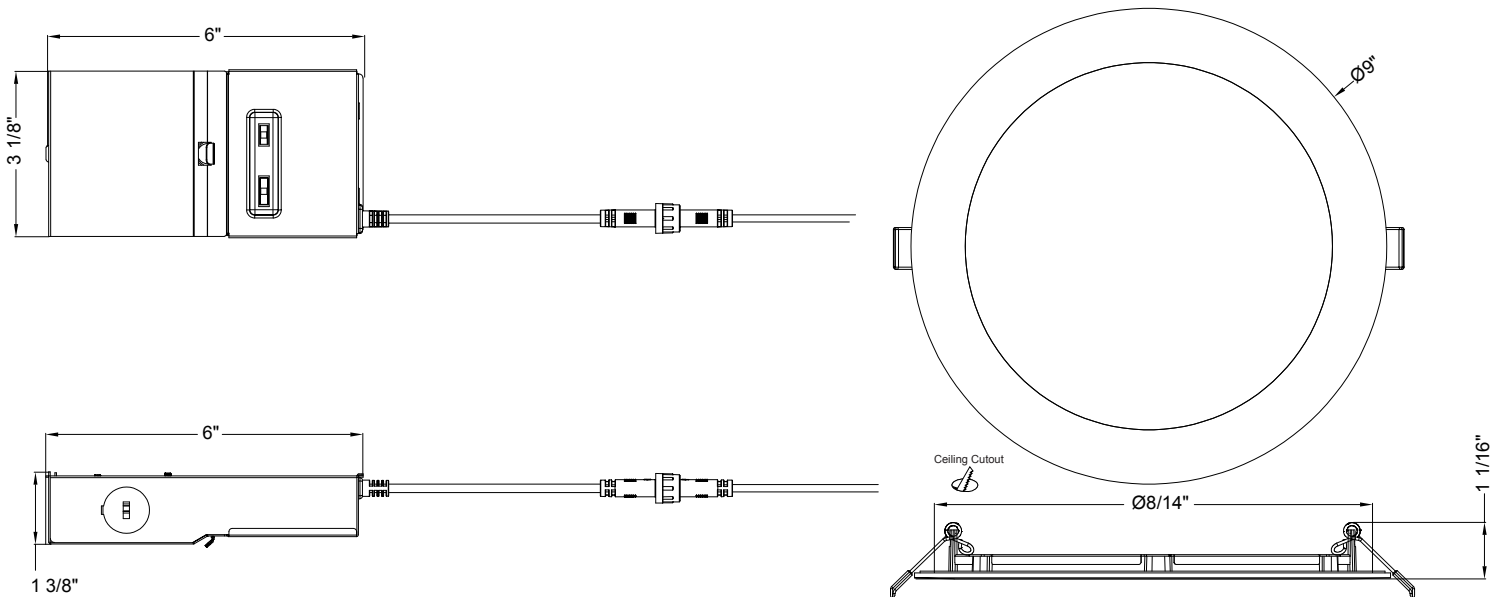


Commercial Slim Downlight Dimensions

CSDL-8-LS-CS-BT-DDV



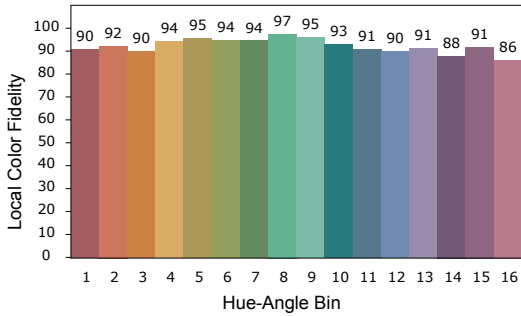
CSDL-8-LS-CS-ST-DDV



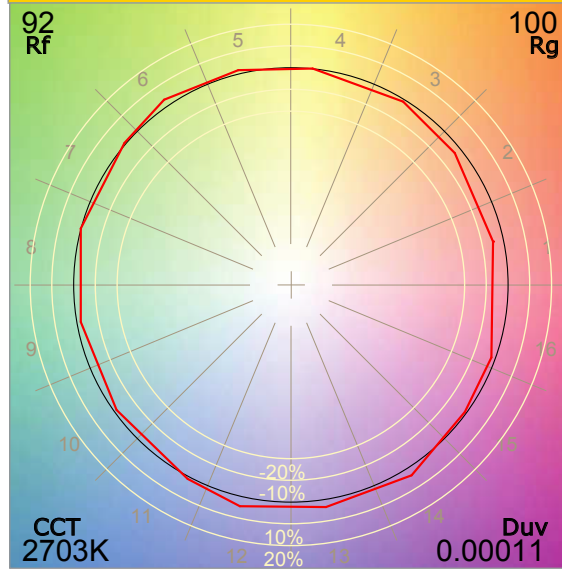
Commercial Slim Downlight Photometrics*

89168-CSDL-4-LS-CS-ST-DDV-2700K

Color Rendition by Hue (Change of Chroma)



Color Vector Graphics



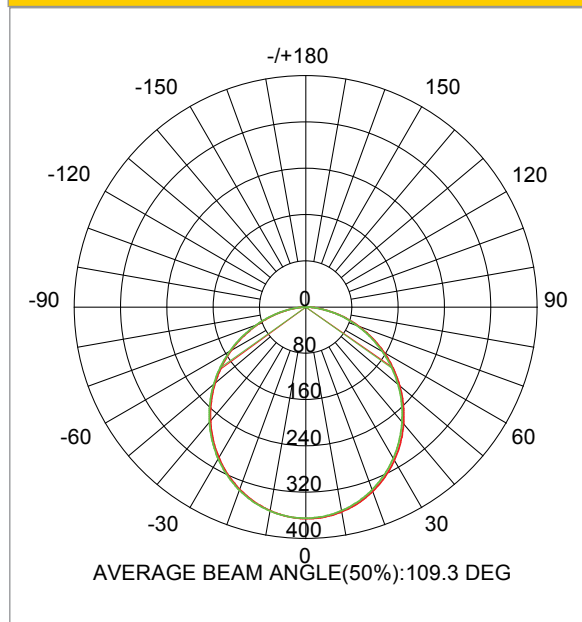
Color Metrics

RF	92
RG	100

Zonal Lumen Summary

LCS Zone	Lumens	%Fixture
0° - 10°	37	3%
10° - 20°	106	10%
20° - 30°	160	15%
30° - 40°	190	18%
40° - 50°	194	18%
50° - 60°	172	16%
60° - 70°	129	12%
70° - 80°	72	7%
80° - 90°	18	2%
90° - 180°	1	0%
0° - 180°	1079	100%

Luminous Intensity Distribution Diagram

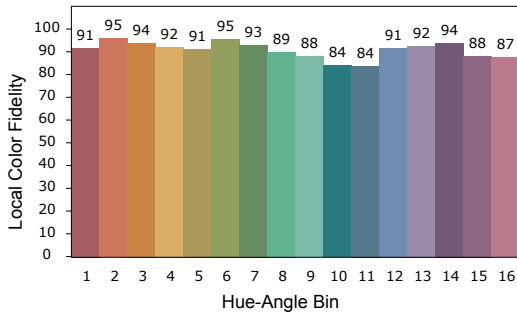


*The Diagrams and zonal lumen summaries represent each fixture at highest wattage selection and at 2700K. For complete photometry/IES files, please contact Halco lighting.

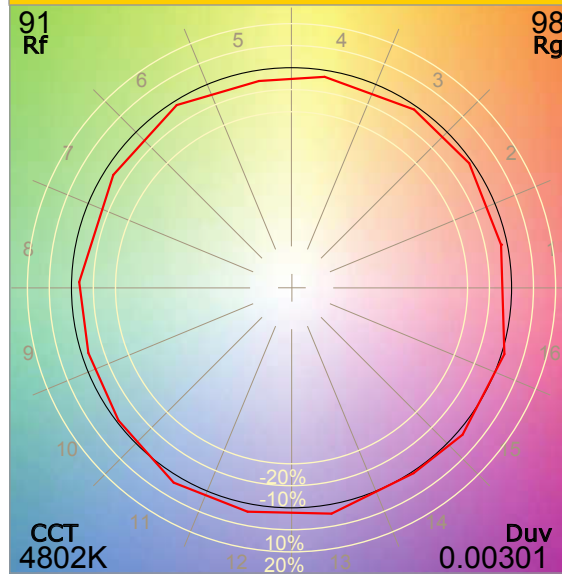
Commercial Slim Downlight Photometrics*

89171-CSDL-4-LS-CS-BT-DDV-2700K

Color Rendition by Hue (Change of Chroma)



Color Vector Graphics



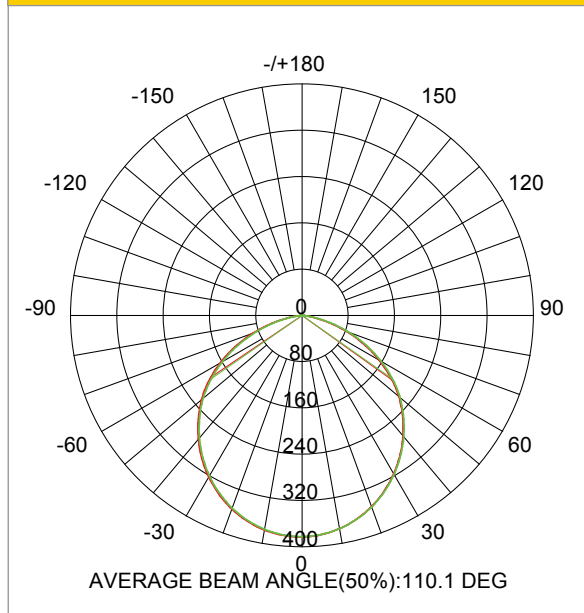
Color Metrics

RF	91
RG	98

Zonal Lumen Summary

LCS Zone	Lumens	%Fixture
0° - 10°	39	4%
10° - 20°	111	10%
20° - 30°	166	15%
30° - 40°	198	18%
40° - 50°	203	19%
50° - 60°	178	16%
60° - 70°	123	11%
70° - 80°	55	5%
80° - 90°	8	1%
90° - 180°	2	0%
0° - 180°	1082	100%

Luminous Intensity Distribution Diagram

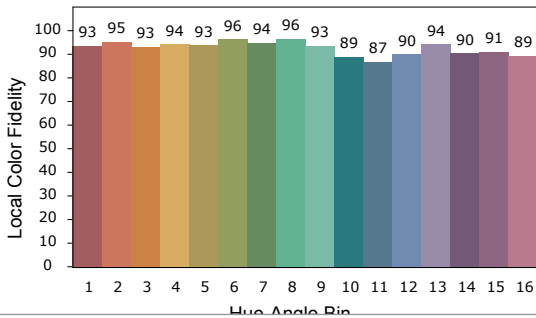


*The Diagrams and zonal lumen summaries represent each fixture at highest wattage selection and at 2700K. For complete photometry/IES files, please contact Halco lighting.

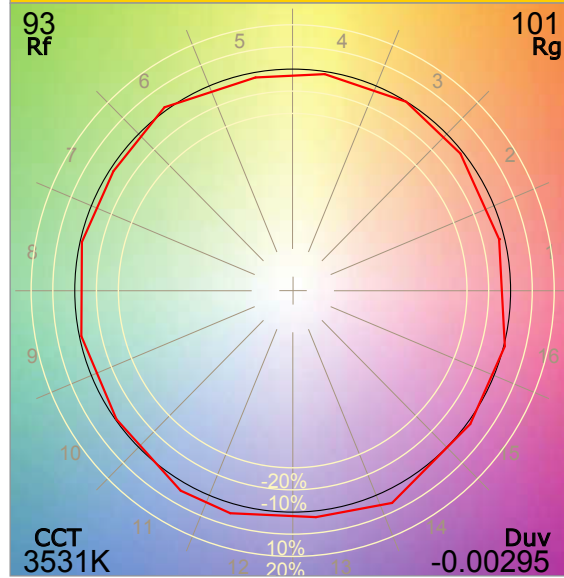
Commercial Slim Downlight Photometrics*

89169-CSDL-6-LS-CS-ST-DDV-2700K

Color Rendition by Hue (Change of Chroma)



Color Vector Graphics



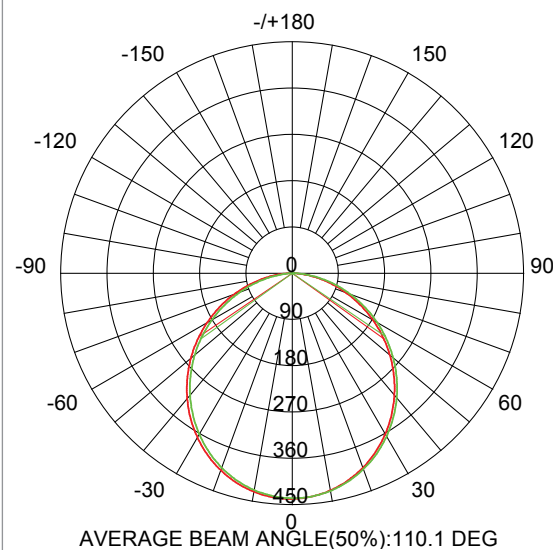
Color Metrics

RF	93
RG	101

Zonal Lumen Summary

LCS Zone	Lumens	%Fixture
0° - 10°	43	4%
10° - 20°	123	10%
20° - 30°	184	15%
30° - 40°	219	18%
40° - 50°	222	18%
50° - 60°	197	16%
60° - 70°	148	12%
70° - 80°	85	7%
80° - 90°	25	2%
90° - 180°	2	0%
0° - 180°	1249	100%

Luminous Intensity Distribution Diagram

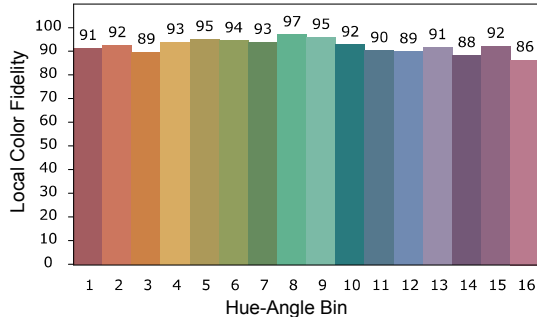


*The Diagrams and zonal lumen summaries represent each fixture at highest wattage selection and at 2700K. For complete photometry/IES files, please contact Halco lighting.

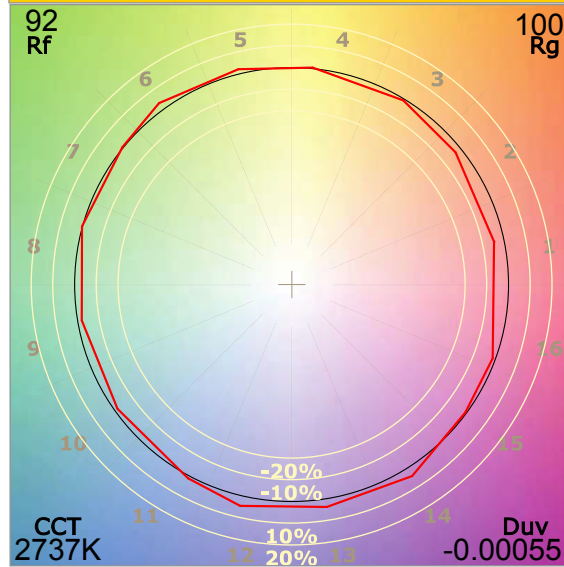
Commercial Slim Downlight Photometrics*

89172-CSDL-6-LS-CS-BT-DDV-2700K

Color Rendition by Hue (Change of Chroma)



Color Vector Graphics



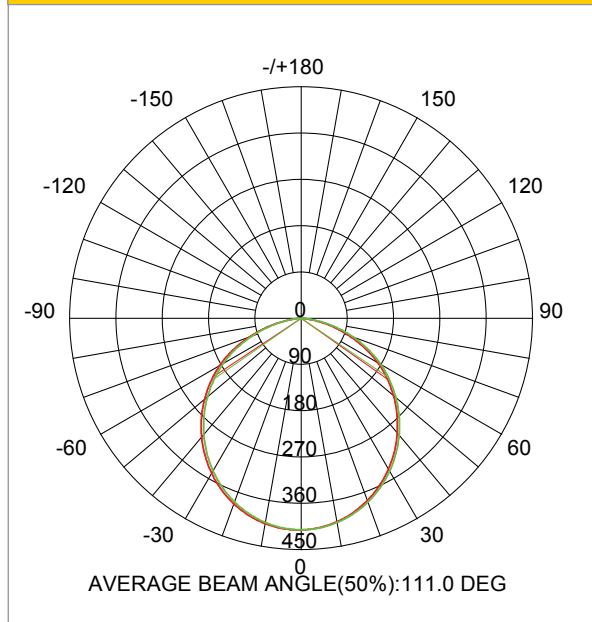
Color Metrics

RF	92
RG	100

Zonal Lumen Summary

LCS Zone	Lumens	%Fixture
0° - 10°	44	4%
10° - 20°	124	10%
20° - 30°	186	15%
30° - 40°	222	18%
40° - 50°	227	18%
50° - 60°	202	16%
60° - 70°	150	12%
70° - 80°	77	6%
80° - 90°	14	1%
90° - 180°	1	0%
0° - 180°	1245	100%

Luminous Intensity Distribution Diagram

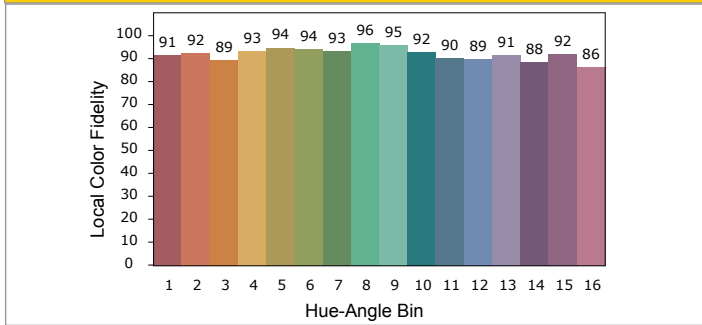


*The Diagrams and zonal lumen summaries represent each fixture at highest wattage selection and at 2700K. For complete photometry/IES files, please contact Halco lighting.

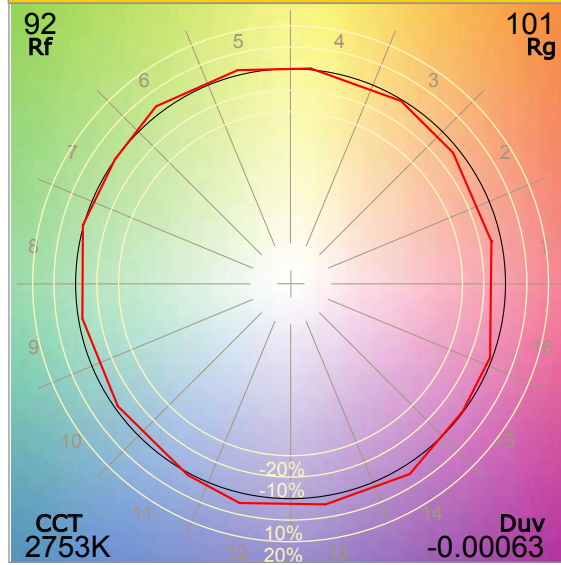
Commercial Slim Downlight Photometrics*

89170-CSDL-8-LS-CS-ST-DDV-2700K

Color Rendition by Hue (Change of Chroma)



Color Rendition by Hue (Change of Chroma)



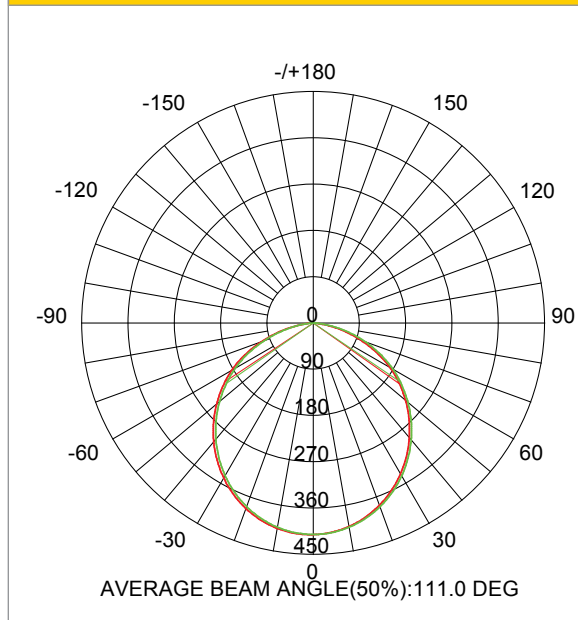
Color Metrics

RF	92
RG	101

Zonal Lumen Summary

LCS Zone	Lumens	%Fixture
0° - 10°	55	4%
10° - 20°	158	10%
20° - 30°	238	14%
30° - 40°	285	17%
40° - 50°	295	18%
50° - 60°	265	16%
60° - 70°	203	12%
70° - 80°	120	7%
80° - 90°	35	2%
90° - 180°	1	0%
0° - 180°	1654	100%

Luminous Intensity
Distribution Diagram

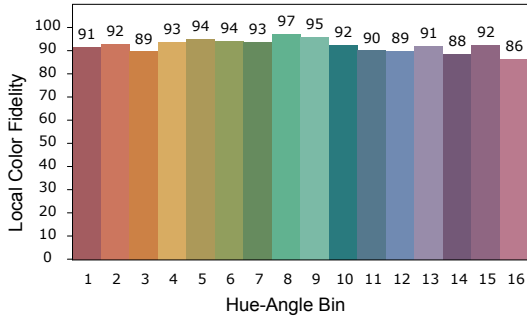


*The Diagrams and zonal lumen summaries represent each fixture at highest wattage selection and at 2700K. For complete photometry/IES files, please contact Halco lighting.

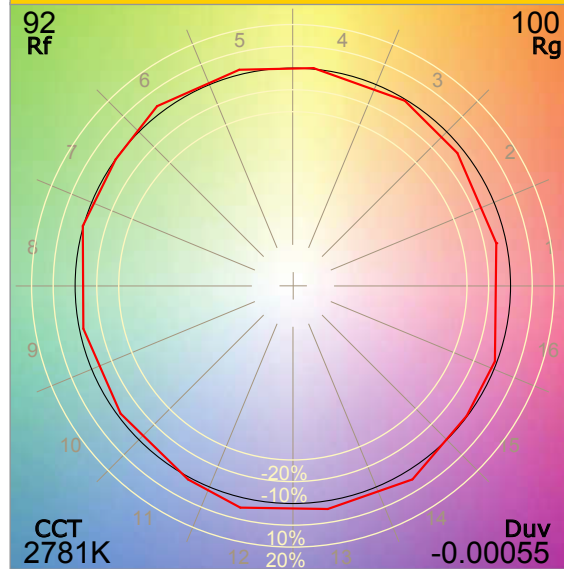
Commercial Slim Downlight Photometrics*

89173-CSDL-8-LS-CS-BT-DDV-2700K

Color Rendition by Hue (Change of Chroma)



Color Vector Graphics



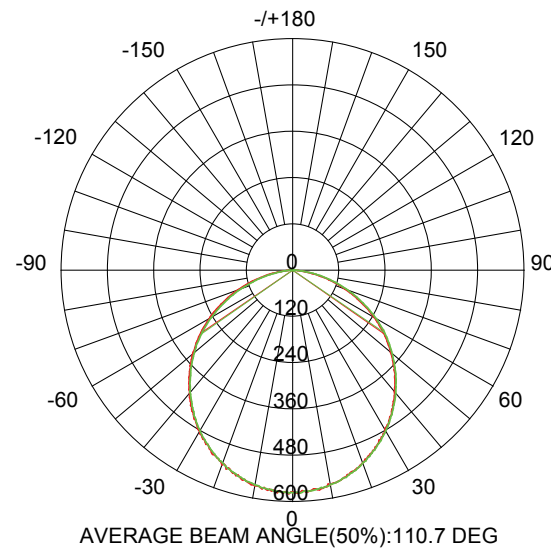
Color Metrics

RF	93
RG	101

Zonal Lumen Summary

LCS Zone	Lumens	%Fixture
0° - 10°	53	3%
10° - 20°	152	10%
20° - 30°	230	14%
30° - 40°	277	17%
40° - 50°	287	18%
50° - 60°	260	16%
60° - 70°	198	12%
70° - 80°	111	7%
80° - 90°	29	2%
90° - 180°	1	0%
0° - 180°	1598	100%

Luminous Intensity Distribution Diagram



*The Diagrams and zonal lumen summaries represent each fixture at highest wattage selection and at 2700K. For complete photometry/IES files, please contact Halco lighting.