

CS Linear

SURFACE MOUNT LINEAR LOW PROFILE LED FIXTURE

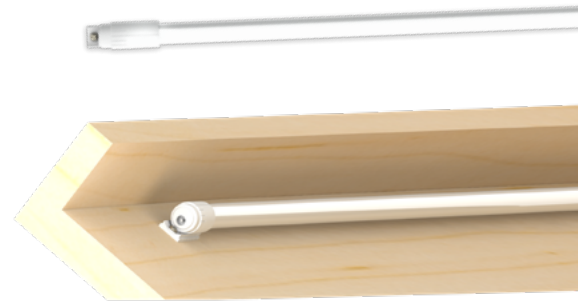
EFFICIENT LIGHTS

PROJECT _____

TYPE _____

SPECIFICATION _____

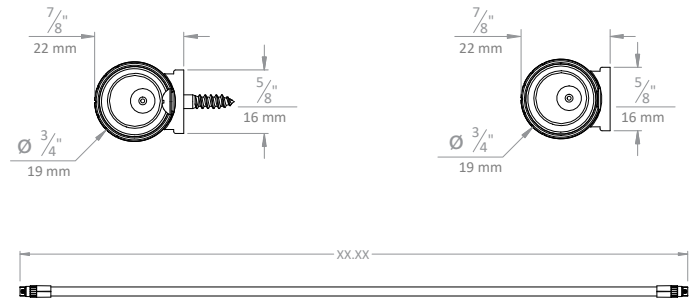
- \ A low-profile rotatable design to aim light where needed
- \ Uses DC jacks for easy plug-and-play installation
- \ Allows for daisy chain installation off one power supply
- \ 60,000 Hours (L70)
- \ Shatter resistant polycarbonate lens
- \ UL Type C Listed for damp locations
- \ RoHs-compliant
- \ NSF Certified
- \ Class 2 Low voltage connection, minimizing shock hazard
- \ Requires 24 Vdc external power supply (sold separately)
- \ Dimming available with dimming power supply;
See power supply product sheet for dimming information



Nominal Length	Maximum Overall Length (MOL)	Output	Power (Watts)
60"	59 3/4"	3400	30.0
		2000	17.0
		1000	8.5
48"	47 3/4"	3000	26.0
		1600	13.0
		800	6.5
36"	35 3/4"	2600	22.5
		1200	10.0
		600	5.0
24"	23 3/4"	2000	17.0
		1000	8.5
		400	3.5
18"	17 1/4"	600	5.0
12"	11 1/4"	400	3.5

*Output and power in table to left is shown at 80 CRI, 3500K. Use multiplier table below for correction factors.

CRI	CCT	Multiplier
80+	2700K	0.93
	3000K	0.97
	3500K	1.0
	4000K	1.02
	5000K	1.03
90+	2700K	0.80
	3000K	0.83
	3500K	0.86
	4000K	0.88
	5000K	0.89



Ordering Information

Example: CS/48/D/830/1600

Fixture	Lens	CRI + CCT	Lumen Output
CS	D - Diffused	827 - 80+ CRI, 2700K 830 - 80+ CRI, 3000K 835 - 80+ CRI, 3500K 840 - 80+ CRI, 4000K 850 - 80+ CRI, 5000K 927 - 90+ CRI, 2700K 930 - 90+ CRI, 3000K 935 - 90+ CRI, 3500K 940 - 90+ CRI, 4000K 950 - 90+ CRI, 5000K	400 600 2000 1000 400 2600 1200 600 3000 1600 800 3400 2000 1000
		Length	
		12	
		18	
		24	
		36	
		48	
		60	



*Consult factory for lead time and availability

WARNING: Risk of electric shock. This device is not intended for use with emergency exit fixtures or emergency exit lights. May not be compatible with all dimmers; please visit solais.com/dimming for up-to-date dimmer compatibility information.

NOTES: This device complies with Part 15 of the FCC Rule. This product may cause interference with other devices. If interference occurs, change the locations of the products involved.