

# CTL838/2

## PAR38 Slim Style Gimbal Line Voltage Track Fixture

### Specifications/Features

#### Fixture

The free, unconfined look of these gimbal lamp holders make them popular for commercial, retail and residential applications. The 2-plane gimbal design permits maximum horizontal and vertical swivel for excellent aiming. "Sure-Set" yoke holds the fixture firmly in place. Integral ON/OFF switch and track polarity indicator are standard. Supplied with field-mounted accessory clips (FA-38) for use with light control accessories.

#### Lamp

(1) 250W PAR38 (max), E26 Medium skirted base, 120V.

#### Warranty

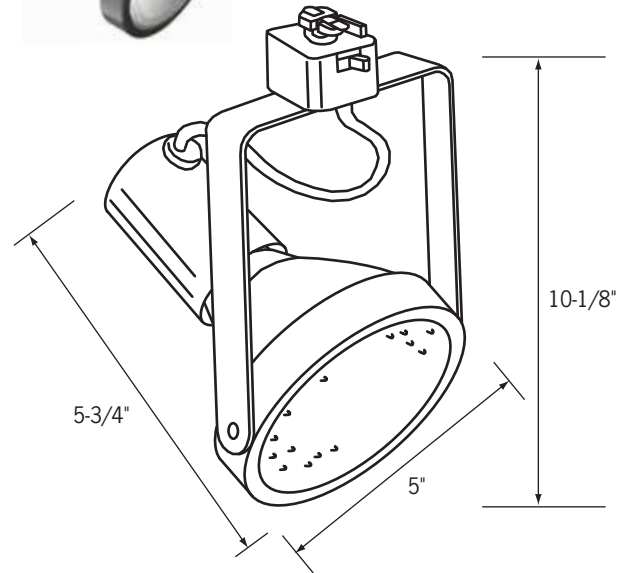
This fixture is covered by ConTech's full one (1) year replacement guarantee after date of purchase.

#### Listing

cCSAus Certified. Suitable for dry locations.

#### Fixture Compatibility

Standard ConTech track fixtures are cCSAus certified as-is for use with ConTech's many track systems, as well as with Juno<sup>®1</sup> Lighting track. By changing the prefix in the part number, ConTech can install inserts which make our fixtures compatible with other manufacturers. Replace "CTL" with "HTL" for Halo<sup>®2</sup> track and "LTL" for Lightolier<sup>®3</sup> track. For more information, please consult our factory.



### Ordering Information

Example Order:  –

Track System	Fixture	Finish	Accessories
<input type="text"/>	<input type="text"/>	<input type="text"/>	<input type="text"/>

**CTL** - ConTech  
**HTL** - Halo  
**LTL** - Lightolier

**838/2**

**B** - Black  
**P** - White  
**U** - Unfinished Aluminum

**BD38\*** - Barn Doors  
*\*Black is standard finish. Natural aluminum may be ordered by adding suffix "-U".*  
**LA-38-(B, P, S)** - Egg-Crate Louver  
**LF30-(A, B, CL, G, LB, R, RO, Y, 73, LS, SL, UV)**  
4-11/16" Tempered glass lenses

*Color/Pattern Legend*  
**-A** (Amber), **-B** (Blue), **-CL** (Clear), **-G** (Green), **-LB** (Light Blue), **-R** (Red), **-RO** (Rose), **-Y** (Yellow), **-73** (Spread Lens), **-LS** (Linear Spread Lens), **-SL** (Soft Light), **-UV** (Optivex UV Filter)

1. Juno is a registered trademark of Juno Lighting  
2. Halo is a registered trademark of Cooper Lighting  
3. Lightolier is a registered trademark of Philips Lighting