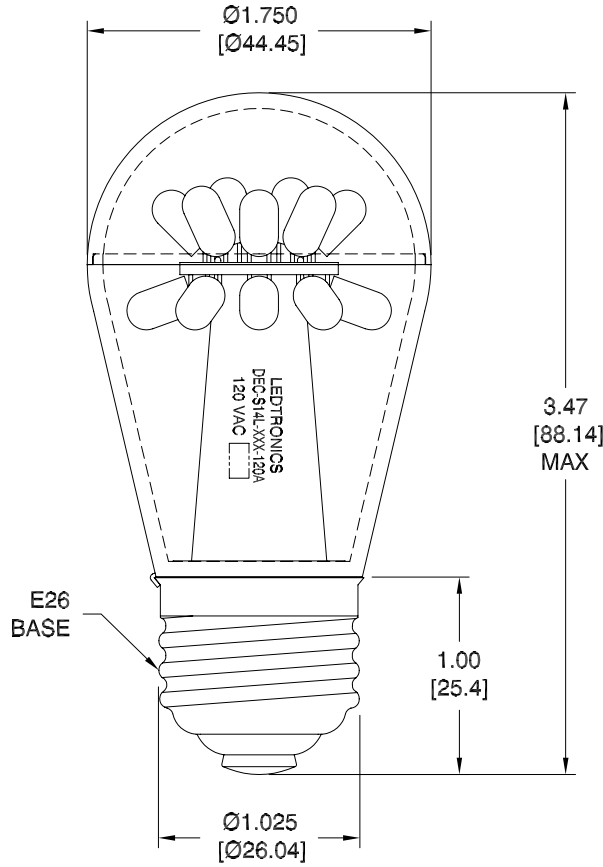


LTR	REVISION	DATE	APPD
C	102913-JH01: REMOVED "ETL" CHECK BOX	11-18-13	GP



NOTES:

1. ALL DIMENSIONS ARE IN INCHES [MILLIMETERS].
2. LENS MATERIAL: WATERCLEAR, UV STABILIZED LEXAN 201-112
3. SLEEVE MATERIAL: WATERCLEAR, UV STABILIZED POLYCARBONATE
4. BASE MATERIAL: BRASS, NICKEL PLATED BRASS
5. WEIGHT: 0.0875 lb. / 1.4 oz. / 39.7 g



REVISION NOTIFICATION	
<input type="checkbox"/>	DLC
<input type="checkbox"/>	UL/ETL
<input type="checkbox"/>	MADE IN USA
<input type="checkbox"/>	CUSTOMER _____
<input type="checkbox"/>	OTHER

ELECTRO-OPTICAL CHARACTERISTICS (Ta=25°C)

DEC-S14L-OAG-120A	AQUA GREEN	120VAC	0.015 A	1.3W	56 lm	43	520	-	270°
DEC-S14L-OER-120A	SUPER RED	120VAC	0.020 A	1.3W	27 lm	21	636	-	270°
DEC-S14L-OPB-120A	ULTRA BLUE	120VAC	0.015 A	1.3W	13 lm	10	465	-	270°
DEC-S14L-OUY-120A	SUPER YELLOW	120VAC	0.020 A	1.3W	20 lm	15	595	-	270°
DEC-S14L-SIW-120A	WARM WHITE	120VAC	0.015 A	0.9W	58 lm	64	-	2800K~3200K	270°
DEC-S14L-TPW-120A	TRUE WHITE	120VAC	0.015 A	0.9W	54 lm	60	-	4800K~5200K	270°
LEDTRONICS PART NO.	COLOR EMITTED	INPUT VOLTAGE, V	CURRENT (A)	POWER (WATTS)	TOTAL LUMES	EFFICACY lm/W	λP nm	COLOR TEMP. (Kelvin)	ANGLE OF ILLUMINATION



-PROPRIETARY-
 This document contains Proprietary information of LEDTRONICS, INC. It may not be copied, used or disclosed for any purpose without the prior express written consent of LEDTRONICS, INC.

.XXX ± .010 TOLERANCE PER ANSI-Y14.5
 .XX ± .025 (UNLESS OTHERWISE STATED)
 ANGLES ± 0°,30'
 FRACT. ± 1/32

TITLE					
DEC-S14L-XXX-120A					
DWG NO		SCALE	SHEET	DATE	
DEC00018-CUST		1:1	1 OF 1	01-21-10	
CODE IDENT NO.	DWG BY	CHK BY	QA RD	MFG LD	R&D BJ
8Z410	01-21-10		11-27-13	11-26-13	11-26-13