



DKDS : DOWNLIGHT DISK SURFACE KIT

DESCRIPTION

A flexible, low cost downlight solution for new construction and recessed can LED retrofit applications. It can be installed virtually anywhere, provides true color rendering with 90+ CRI, and can be continuously dimmed to 10% with standard dimmers.

FEATURES

- Low profile, driverless design
- Continuous dimming from 10-100% with many Triac dimmers
- Surface mounts to a standard 4" junction box
- Retrofit into an existing recessed can (hardware included in the box)

LISTINGS

- UL Listed for wet locations
- ENERGY STAR® Approved for superior energy efficiency
- Can be used to comply with Title 24 Part 6
- Suitable for use in closets when installed in accordance with NEC 410.16 spacing requirements

PERFORMANCE

- Rated lifetime L70: 50,000 hours
- 2700K, 3000K, 4000K, 5000K CCT
- CRI: 90+

ELECTRICAL

- Input voltage: 120VAC
- Power Factor: >.90
- THD: <20%

CONSTRUCTION

- Aluminum trim with white powder coat finish

WARRANTY

- 5 year limited warranty; see eiko.com for warranty details

project name	type
catalog number	
comments	voltage
approved by	date



APPLICATIONS

- Healthcare
- Hospitality
- Office
- Property Management
- Residential
- Retail



ORDERING INFORMATION

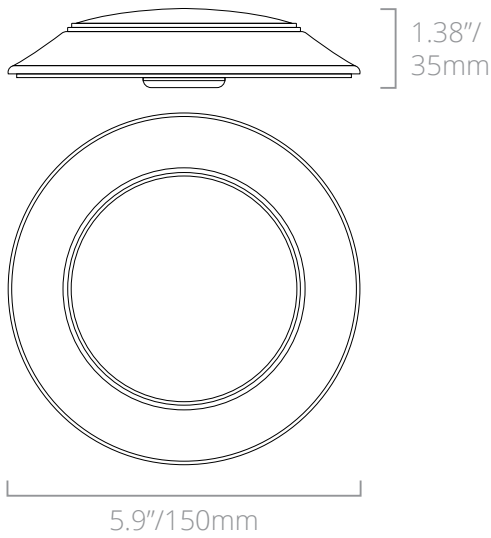
EXAMPLE: DKDS-4-12W/7/927-DIM-120

Model	Size	Wattage	Lumens	CRI/CCT	Dimming	Voltage
DKDS : Downlight Disk Surface Kit	4 - 4"	12W - 12W	6.5 - 650 LM	927 - 90 CRI; 2700K	DIM - Triac dimmable	120 - 120V
	6 - 6"	15W - 15W	7.5 - 750 LM 9.5 - 950 LM 10.5 - 1,050 LM	930 - 90 CRI; 3000K 940 - 90 CRI; 4000K 950 - 90 CRI; 5000K		

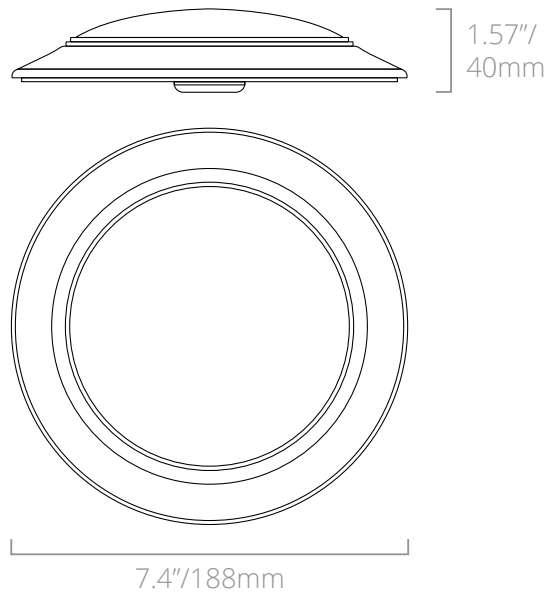
PERFORMANCE SUMMARY

Order Code	Item #	Watts	Lumens	CCT	CRI	Volts	Replaces Halogen	ES
09916	DKDS-4-12W/6.5/927-DIM-120	12W	650	2700K	90+	120V	75W	★
09917	DKDS-4-12W/6.5/930-DIM-120	12W	650	3000K	90+	120V	75W	★
10299	DKDS-4-12W/7.5/940-DIM-120	12W	750	4000K	90+	120V	75W	
10300	DKDS-4-12W/7.5/950-DIM-120	12W	750	5000K	90+	120V	75W	
09920	DKDS-6-15W/9.5/927-DIM-120	15W	950	2700K	90+	120V	90W	★
09921	DKDS-6-15W/9.5/930-DIM-120	15W	950	3000K	90+	120V	90W	★
10301	DKDS-6-15W/10.5/940-DIM-120	15W	1,050	4000K	90+	120V	90W	
10302	DKDS-6-15W/10.5/950-DIM-120	15W	1,050	5000K	90+	120V	90W	

DIMENSIONS



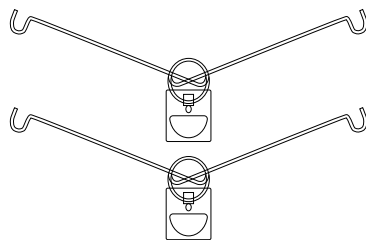
DKDS-4



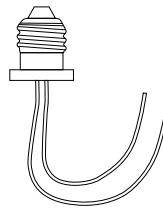
DKDS-6

INCLUDED ACCESSORIES

- E26 socket adapter
- Mounting bracket
- Housing insert



Retrofit Kit



E26 Adapter



Surface Mount Bracket

DIMMER COMPATIBILITY : DKDS-4

Dimmer	Compatibility
Cooper 9531	✗
Cooper AAL06P	✓
Cooper DAL06P-LZ	✓
Cooper SLC063P	✓
Leviton DSM10	✗
Leviton IPE04	✓

Dimmer	Compatibility
Lutron AYCL-253P	✓
Lutron DSL06P	✓
Lutron DVCL-253P	✓
Lutron DVEL-300P	✓
Lutron SELV-300P	✓

DIMMER COMPATIBILITY : DKDS-6

Dimmer	Compatibility
Cooper 9531	✗
Cooper AAL06P	✓
Cooper DAL06P	✗
Cooper SLC063P	✓
Leviton DSL06P	✓
Leviton DSM10	✓

Dimmer	Compatibility
Leviton IPE04	✓
Lutron AYCL-253P	✓
Lutron DVCL-253P	✓
Lutron DVEL-300P	✓
Lutron SELV-300P	✓