

## DL & DM Series Single Lampholders

The DL and DM series lamp holders are designed primarily to accommodate the longer high voltage. The DL and DM are Identical to the DHO types except for the longer lengths and use the same lens cap.



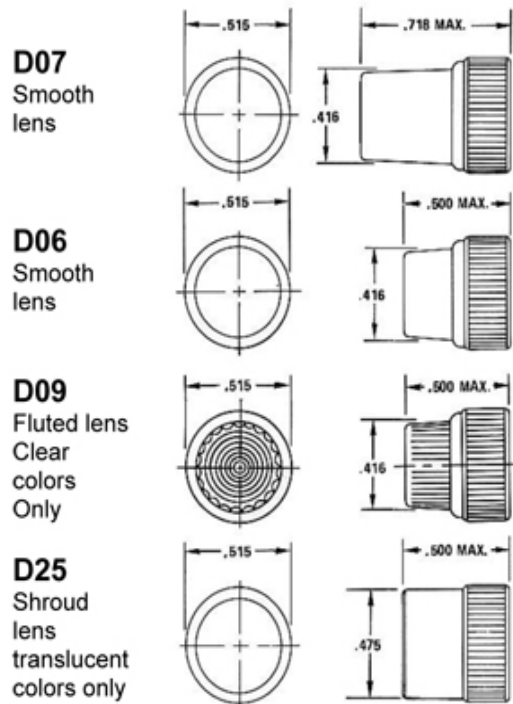
**DL030B – D06BGC**



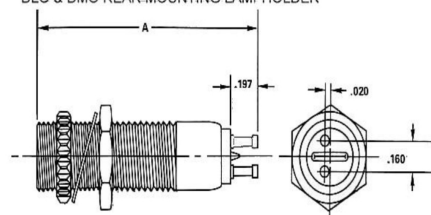
**DM010B – D06BAC**

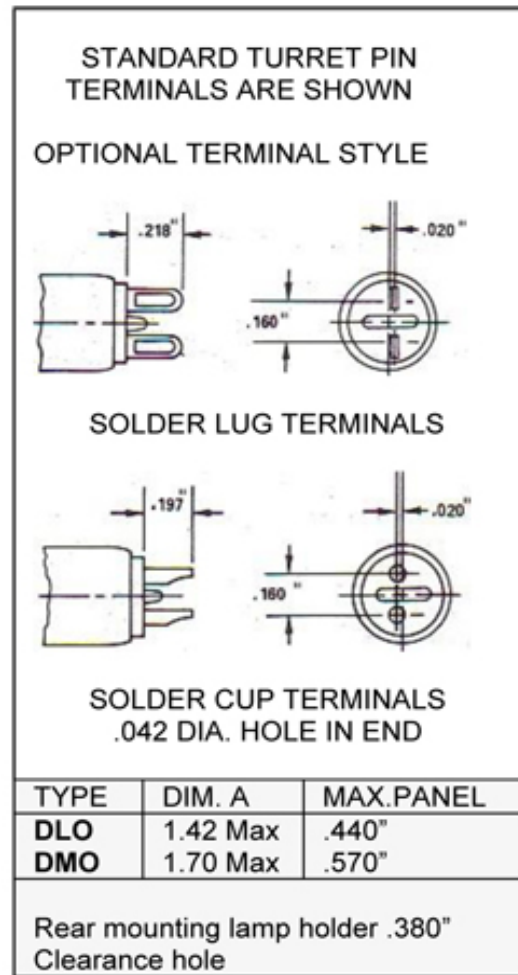
**TYPE DLO-REAR MOUNTING, 3/8" HOLE**

**TYPE DMO-REAR MOUNTING, 3/8" HOLE**



DLO & DMO REAR MOUNTING LAMPHOLDER





**ORDERING INFORMATION**

DL and DM SERIES lampholders may be ordered separately or as complete Assembly. Formulate the part number using the table at the right.

**EXAMPLE PART NUMBERS**

- DLO - 10B -D06 DO6BGT Assembly
- DLO - 10B Lampholder Only
- D06BGT Lens Cap Only

DL AND DM LAMP HOLDERS				D SERIES LENS CAPS		
STYL E	TERMINAL	MOUNTING	FINISH	STYLE	FINISH	LENS COLOR
<b>DLO</b> Rear Mount	<b>1</b> Turret Pin	<b>0</b> Standard Mounting	<b>B</b> - Black Anodize	<b>D06</b> Smooth lens	<b>B</b> - Black Anodize	<b>Translucent</b>  AT - Amber BT - Blue GC - Green RT - Red WT - White YT - Yellow
	<b>3</b> Solder Cup	<b>1</b> Anti Rotational Mounting (Available as an option on Front mount Holders only)	<b>S</b> - Clear Anodized	<b>D07</b> Smooth lens	<b>S</b> - Clear Anodized	
<b>DMO</b> Rear Mount	<b>6</b> Solder Lug		<b>Y</b> - Yellow Chromate	<b>D25</b> Shroud lens	<b>Y</b> -Yellow Chromate	<b>Clear</b>  AC - Amber BC - Blue CC - Cloudy GC - Green RC - Red WC - Water YC - Yellow

OVER ALL LENGTH WITH LENS CAPS INSTALLED	MATING C- LITES
<b>DLO</b> With D06 or D09 1.78 MAX. With D07 1.98 MAX With D25 1.78 MAX.	CL 24 CM12 CL24
<b>DMO</b> With D06 or D09 2.07 MAX. With <b>D25</b> 2.07 MAX.	Any CL / CQ Any CM

**PART MARKING:** ELDEMA and the lampholder number **(ELDEMA DLO10B)**

Eldema lampholder DLO11B meets MIL - L - 3661, Type LH90/3