



CoreLine Downlight

DN130B LED10S/840 PSU PI6 WH

CoreLine Downlight WH - LED Module, system flux 1000 lm - 840 neutral white - Power supply unit - Finger-protected - White

The CoreLine Downlight range of recessed luminaires is designed to replace CFL-ni/CFL-i based downlight luminaires. Their attractive TCO helps customers to make the switch to LED. These luminaires create a natural lighting effect for use in general lighting applications. They also deliver instant energy savings and have a much longer lifetime, creating a real value-for-money and environmentally friendly solution. They are easy to install thanks to their standard cut-out size and push-in connectors.

Product data

General Information		Flammability mark	
Number of light sources	1 pc	CE mark	For mounting on normally flammable surfaces
Lamp family code	LED10S [LED Module, system flux 1000 lm]	ENEC mark	-
Beam angle of light source	120 °	Warranty period	3 years + 2 years upon registration
Light source color	840 neutral white	Constant light output	No
Light source replaceable	No	Number of products on MCB of 16 A type B	30
Number of gear units	1 unit	RoHS mark	RoHS mark
Driver/power unit/transformer	Power supply unit	Product family code	DN130B [CoreLine Downlight WH]
Driver included	Yes	Operating and Electrical	
Optic type	Wide beam	Input Voltage	220 to 240 V
Optical cover/lens type	Acrylic bowl/cover frosted	Input Frequency	50 to 60 Hz
Luminaire light beam spread	90°	Inrush current	16 A
Connection	Push-in connector 6-pole	Inrush time	0.5 ms
Cable	-	Power Factor (Min)	0.9
Protection class IEC	Safety class I		
Glow-wire test	Temperature 850 °C, duration 5 s		

CoreLine Downlight

Controls and Dimming

Dimmable	No
----------	----

Mechanical and Housing

Housing Material	Polycarbonate
Reflector material	Polycarbonate
Optic material	Aluminum
Optical cover/lens material	Polycarbonate
Fixation material	Steel
Optical cover/lens finish	Frosted
Overall height	99 mm
Overall diameter	166 mm

Approval and Application

Ingress protection code	IP20 [Finger-protected]
Mech. Impact protection code	IK02 [0.2 J standard]

Initial Performance (IEC Compliant)

Initial luminous flux (system flux)	1100 lm
Luminous flux tolerance	+/-10%
Initial LED luminaire efficacy	100 lm/W
Init. Corr. Color Temperature	4000 K
Init. Color Rendering Index	80
Initial chromaticity	(0.38, 0.37) SDCM <5
Initial input power	11 W
Power consumption tolerance	+/-10%

Over Time Performance (IEC Compliant)

Driver failure rate at 5000 h	1.5 %
Median useful life L70B50	50000 h
Median useful life L80B50	30000 h
Median useful life L90B50	15000 h

Application Conditions

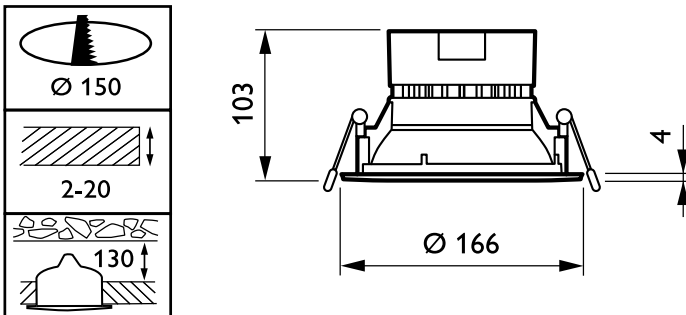
Ambient temperature range	-10 to +40 °C
Average ambient temperature	25 °C
Suitable for random switching	Yes (relates to presence/ movement detection and daylight harvesting)

Product Data

Full product code	871869685269900
Order product name	DN130B LED10S/840 PSU PI6 WH
EAN/UPC - Product	8718696852699
Order code	910500457724
Numerator - Quantity Per Pack	1
Numerator - Packs per outer box	1
Material Nr. (12NC)	910500457724
Net Weight (Piece)	0.400 kg



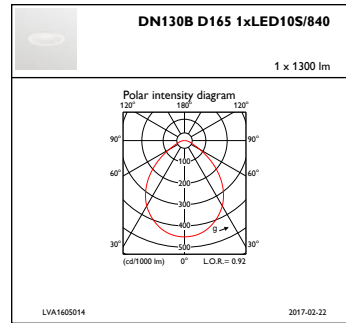
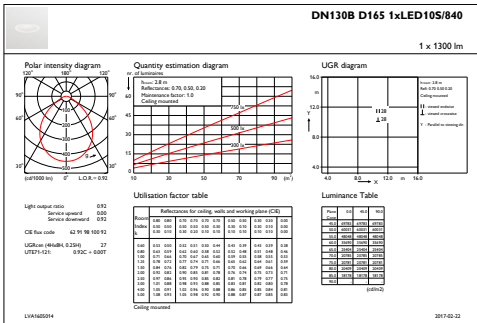
Dimensional drawing



CoreLine Downlight DN130B/DN131B

CoreLine Downlight

Photometric data



IFGU1_DN130BD1651xLED10S840

IFPC1_DN130BD1651xLED10S840

