

Weight: 3.2 lbs

<b>Project:</b>	<b>Type:</b>
<b>Prepared By:</b>	<b>Date:</b>

## Technical Specifications

### Performance

**Product Type:**  
Emergency Driver

**Description:**  
Field installable battery back up for direct mount downlights, see Downlight Accessory Compatibility Guide.

**Input Power:**  
8W

**Output Power:**  
20W

**L70 Lifespan:**  
50,000-Hour LED lifespan based on IES LM-70 results

### Electrical

**Input Voltage:**  
100-277V

**Output Voltage:**  
200VDC

**Operating Frequency:**  
50/60Hz

**Operating Temperature:**  
32°F to 140°F (0°C to 60°C)

**Battery Operation:**  
90 minutes

**Battery Type:**  
Lithium

**Recharge Time Required:**  
24-hours

**Discharge Temperature:**  
32°F to 140°F (0°C to 60°C)

**Storage Temperature:**  
-4°F to 113°F (-20°C to 45°C)

**Storage Shelf Life:**  
1-year

### Installation

**Mounting:**  
Recessed Housing

### Construction

**Shape:**  
Rectangle

**Finish:**  
Red

**Enclosure Material:**  
Metal

### Compliance

**Listings:**  
UL924 Listed

**Environment:**  
Suitable for use in dry and damp environments

**IC Rated:**  
No

**Certification Model Number:**  
DRI-21-EMGR-DC-D10

**T20 Compliant:**  
Can be used to conform with the requirements of California Title 20

**California Title 24 JA8 Compliant:**  
Not Compliant

**California Energy Commission (CEC) Status:**  
Lawful for Sales in California

**RoHS:**  
Mercury and UV free. RoHS-compliant components.

**FCC:**  
Complies with Part 15B of the FCC Rules

## Technical Specifications (continued)

### Other

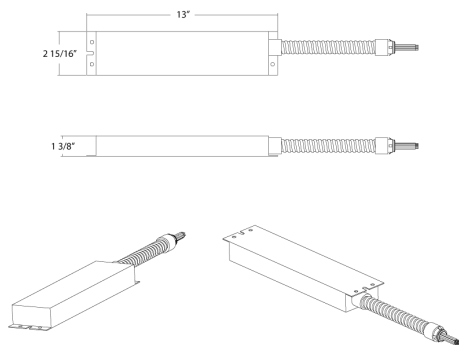
#### Compatible Products:

See Downlight Accessory Compatibility List for a complete listing of compatible products.

#### 5-Year Limited Warranty:

The RAB 5-year, limited warranty covers light output, driver performance and paint finish. RAB's warranty is subject to all terms and conditions found at [rablighting.com/warranty](http://rablighting.com/warranty).

## Dimensions



## Features

For use with select RAB Commercial Downlights

Meets UL924 Requirements