

DS60W24VUD
Constant Voltage

UNIDRIVER[®]



Efficiency	>84%
Power Factor	>0.90
Case TC	90°C Max.
Protection	Input / Output
Storage	-30°C / +90°C
Humidity	95% RH Max.
IP Rating	IP 44
Class	Class 2 Power Supply
Dimming	ELV, TRIAC, 0-10V
Output Voltage or Constant Current	24V

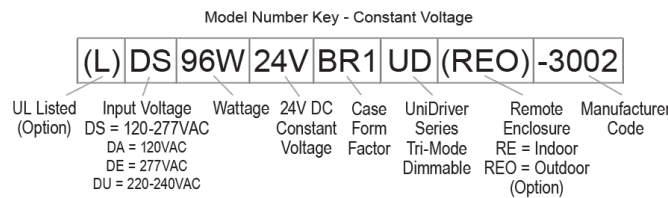


- Universal Input 120V - 277V AC 50/60Hz
- True Tri Mode dimming at all input voltages ELV, TRIAC, 0-10V
- Smooth, flicker free deep dimming 100% - 0.1%
- Title 24 compliant, AAA rating
- Class 2 power supply
- Isolated output power per NEC and UL safety requirements

FEATURES

- UL recognized/listed, meets UL 8750, 1310 requirements
- Auto-reset; short circuit, overload and thermal protection
- Low profile, small form factor, junction box mountable
- Efficient, high power factor >0.90

MODEL KEY

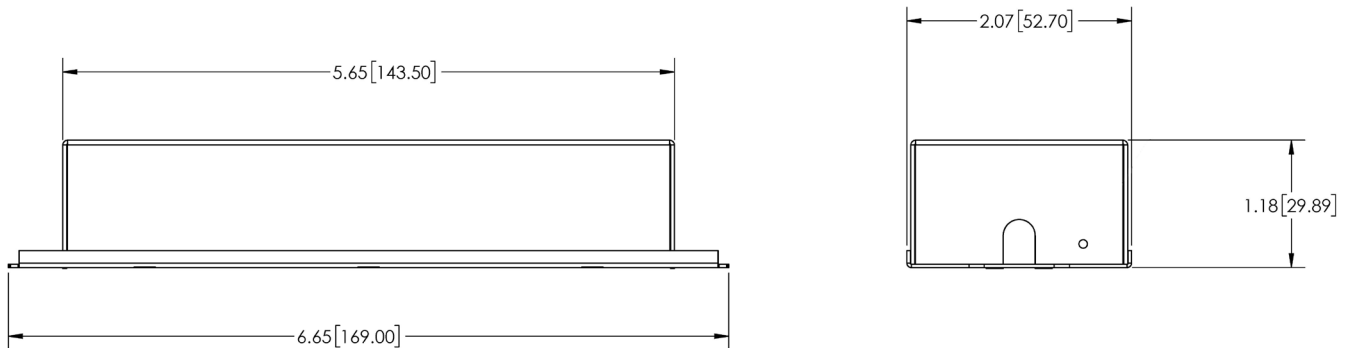


MODEL SPECIFICATIONS

CONSTANT VOLTAGE					
Model Number	Input Voltage	Wattage	Output Voltage	Output Current	Available Form Factor
DS60W24VUD	120-277V AC 50/60Hz	60W	24V DC	2500mA	F5

MECHANICAL SPECS

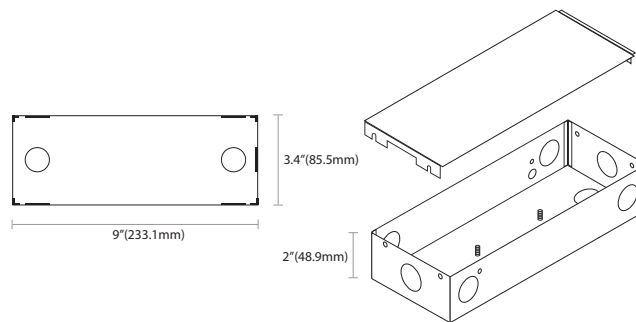
FORM FACTOR	DIMENSIONS
F5	6.7" x 169mm x 2"(52.7mm) x 1.2"(29.9mm)



REMOTE ENCLOSURES

FORM FACTOR	DIMENSIONS
G2 (indoor)	9"(233.1mm) x 3.4"(85.5mm) x 2"(48.9mm)
G3 (outdoor)	11"(280mm) x 4"(103mm) x 2.2" (56mm)

G2



G3

