

## T20 JA8 A LAMP



5W



9W



11W



15W



GU24

### PRODUCT DESCRIPTION:

LED Omnidirectional A-Line lamps replicate the beautiful, even light of true A19 incandescent bulbs. They are suited to a wide variety of residential and commercial applications, including pendants, wall sconces and table and floor lamps. Offering superior color rendering and quality of light, the lamps meet the requirements of Title 20 and Title 24/JA8-2016-E in the state of California.



### FEATURES:

- T20 and JA8 Listed
- Beam Angle: 220°
- Suitable for use in enclosed rated luminaires
- Suitable for use in damp location

### APPLICATION:

- Pendants
- Table and floor lamps
- Scones

### APPLICATION:

- Dimmable down to 10% with forward phase cut dimmers

### WARRANTY:

5-year standard warranty  
(further details available at [www.maxlite.com/warranties](http://www.maxlite.com/warranties))  
Product may be eligible for a warranty extension to 10 years, for an additional fee. Contact MaxLite for details.

## ORDER STRUCTURE

WATTAGE (NOMINAL)	LAMP TYPE	DIMMABILITY	CRI + COLOR TEMPERATURE + JA8 LISTED
E5A19= Enclosed Rated 5W A19	(Omit)= E26 Base	D= Dimmable	927/JA8S= 90+CRI, 2700K, JA8 Listed
E9A19= Enclosed Rated 9W A19			930/JA8S= 90+CRI, 3000K, JA8 Listed
E11A19= Enclosed Rated 11W A19			940/JA8S= 90+CRI, 4000K, JA8 Listed
E15A19= Enclosed Rated 15W A19			
E9A19= Enclosed Rated 19W A19	GU= GU24 Base		

## STOCKED ITEMS

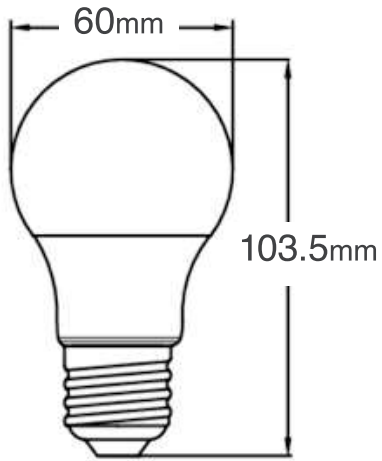
ORDER CODE	MODEL NUMBER	ENERGY STAR#
105472	E5A19D927/JA8S	2370455
105473	E5A19D930/JA8S	2370456
105474	E5A19D940/JA8S	2370457
105475	E9A19D927/JA8S	2369721
105476	E9A19D930/JA8S	2369722
105477	E9A19D940/JA8S	2369723
105478	E9A19GUD927/JA8S	2370093
105479	E9A19GUD930/JA8S	2370094
105480	E9A19GUD940/JA8S	2370095
105481	E11A19D927/JA8S	2369724
105482	E11A19D930/JA8S	2369725
105483	E11A19D940/JA8S	2369726
105484	E15A19D927/JA8S	2369727
105485	E15A19D930/JA8S	2369728
105486	E15A19D940/JA8S	2369729

## DIMMING COMPATIBILITY

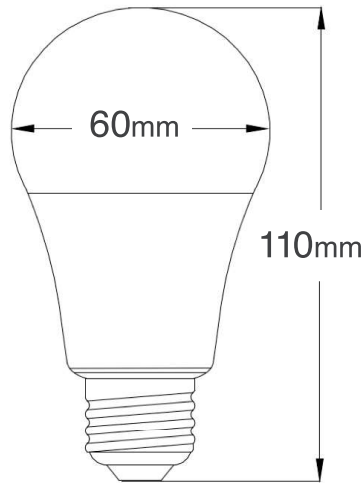
COMPATIBLE DIMMERS FOR ALL MODELS	
Leviton	6674, 6672, RDL06, 752-DSM10, IPL06
Lutron	SCL-153PH-WH, DVWCL-153PH, DVCL-153PR-WH, CTCL-153PDH-WH-C, S-600-WH-CSA, D-600, TTCL-100

## SPECIFICATIONS

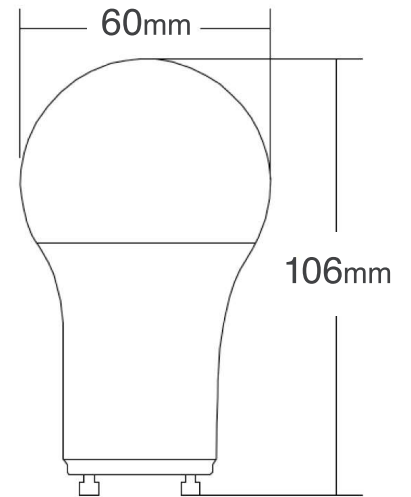
	E5A19D9XX/JA8	E9A19D9XX/JA8	E9A19GUD9XX/JA8	E11A19D9XX/JA8	E15A19D9XX/JA8	
ITEM	SPECIFICATION					
<b>GENERAL PERFORMANCE</b>	Input Power (W)	5W	9W	9W	11W	15W
	Lumens Delivered (lm)	531 - 473 lm	875 - 842 lm	854 - 826 lm	1162 - 1104 lm	1608 - 1615 lm
	Equivalency	40W	60W	60W	75W	100W
	Efficacy (lm/W)	107 - 97 lm/w	99 - 97 lm/w	96 lm/w	107 - 103 lm/w	112 - 177 lm/w
	Beam Angle	220°				
	CRI	≥90				
	CCT (K)	2700K, 3000K, 4000K				
	L70 Lifetime (hrs)	≥25,000 hrs				
<b>ELECTRICAL</b>	Input Voltage	120Vac 60Hz				
	Power Factor	≥0.9				
<b>PHYSICAL</b>	Operating Temperature	-4°F to 104°F (-20°C to 40°C)				
<b>QUALIFICATION</b>	Certifications	cULus, FCC, RoHS, JA8-2019-E Listed, T20 Listed, ENERGY STAR	cETLus, FCC, RoHS, JA8-2019-E Listed, T20 Listed, ENERGY STAR	cULus, FCC, RoHS, JA8-2019-E Listed, T20 Listed, ENERGY STAR	cETLus, FCC, RoHS, JA8-2019-E Listed, T20 Listed, ENERGY STAR	
	Environment	UL Listed for Dry/Damp Location				
	Warranty	5 year warranty				



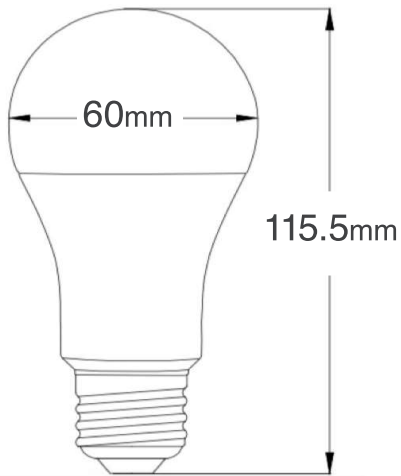
5W



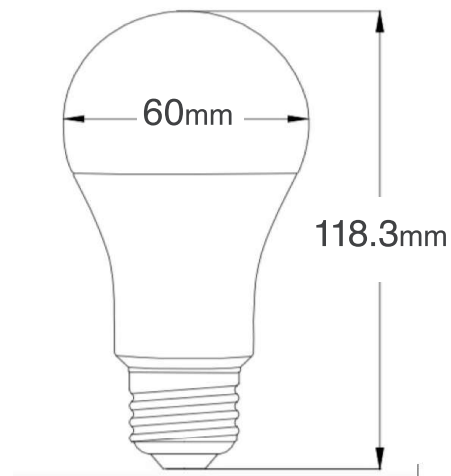
9W



9W



11W



15W