

COMPACT FLUORESCENT BALLASTS

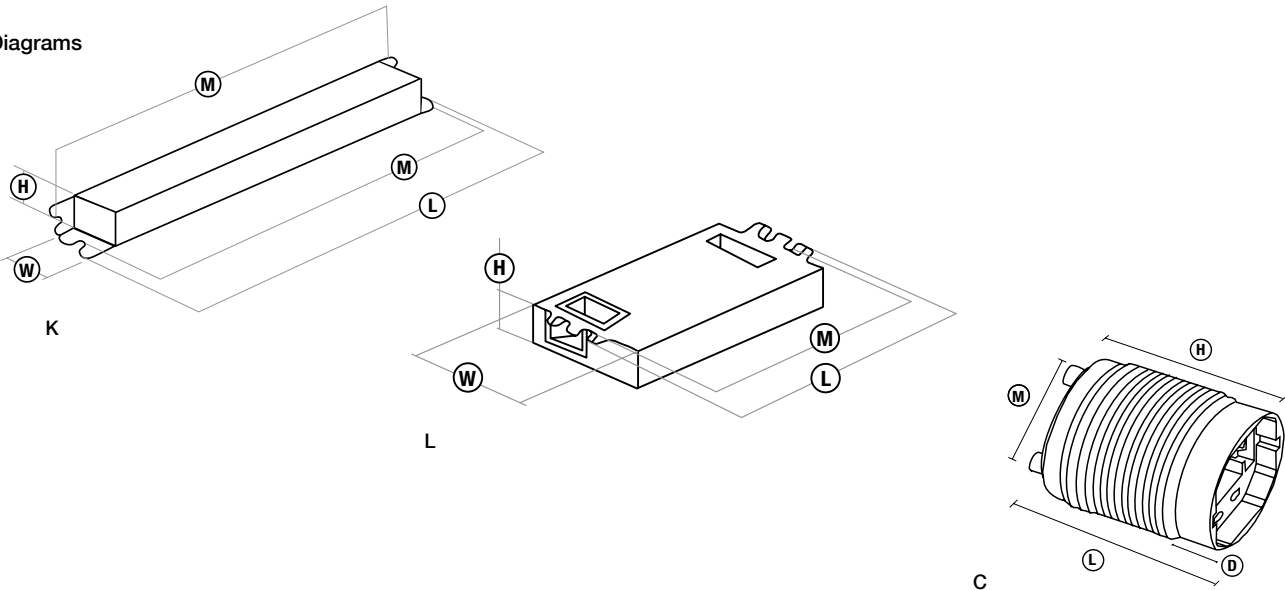
PL Double Tube

Lamp Type			Input Volts	Product Number	Product Code	Line Current (Amps)	Input Power (Watts)	Power Factor	Ballast Factor	THD %	Min. Start Temp	Wire Diag.	Case	Case Dimensions			
Qty.	Watts	Start Type												Length	Mounting	Width	Height
PL13D/E/G24q																	
1	13	RS	120	50104	E114RS/120	0.22	14	0.53	0.95	<130	0°F	1-5	K	5.90"	5.60"	0.91"	0.76"
	13	PS	120	52102	EP2CF13PS/MV/DC/K	0.16	16	0.96	1.00	<10	0°F	1-9	L	5.00"	4.63"	2.41"	1.00"
	13	PS	277	52102	EP2CF13PS/MV/DC/K	0.07	16	0.96	1.00	<10	0°F	1-9	L	5.00"	4.63"	2.41"	1.00"
	13	RS	120	52200	E1CF13RS/120/GU24	0.22	14	0.54	1.02	<150	0°F	-	C	2.32"	1.54"	0.90"	1.97"
2	13	PS	120	52102	EP2CF13PS/MV/DC/K	0.27	29	0.99	1.00	<10	0°F	2-6	L	5.00"	4.63"	2.41"	1.00"
	13	PS	277	52102	EP2CF13PS/MV/DC/K	0.12	29	0.99	1.00	<10	0°F	2-6	L	5.00"	4.63"	2.41"	1.00"

PL18D/E/G24q

1	18	PS	120	52102	EP2CF13PS/MV/DC/K	0.17	20	0.99	1.00	<12	0°F	1-9	L	5.00"	4.63"	2.41"	1.00"
	18	PS	277	52102	EP2CF13PS/MV/DC/K	0.07	20	0.99	1.00	<12	0°F	1-9	L	5.00"	4.63"	2.41"	1.00"
	18	PS	120	52104	EP2CF18PS/MV/DC/K	0.16	19	0.97	1.00	<10	0°F	1-9	L	5.00"	4.63"	2.41"	1.00"
	18	PS	277	52104	EP2CF18PS/MV/DC/K	0.07	19	0.97	1.00	<10	0°F	1-9	L	5.00"	4.63"	2.41"	1.00"
2	18	PS	120	52104	EP2CF18PS/MV/DC/K	0.30	35	0.99	0.95	<10	0°F	2-6	L	5.00"	4.63"	2.41"	1.00"
	18	PS	277	52104	EP2CF18PS/MV/DC/K	0.13	35	0.99	0.95	<10	0°F	2-6	L	5.00"	4.63"	2.41"	1.00"

Case Diagrams



Wiring Diagrams

