



EvoKit

EVOKIT 2X2 P 32L 34W 835 5 MK10 7 G2

The Philips EvoKit LED Retrofit is the ideal solution for switching from linear fluorescent lighting to an LED solution. This system is designed to be affordable, long lasting, and produce the quality light typical in Philips LED systems. The EvoKit, at efficacies up to 110 lumens per watt, produces enough light to replace most traditional fluorescent troffers, while consuming significantly less energy.

Product data

• Light Technical Characteristics

Color Code	835
Correlated Color Temperature	3500 K
CRI	80
Color Temp. (Kelvin)	3500 K [CCT 3500K]

• Electrical Characteristics

Wattage	34 W
Voltage	277 V
Module input voltage	277 V

• Product Dimensions

Length A	607 mm
Width B	607 mm

Height C 74.9 mm

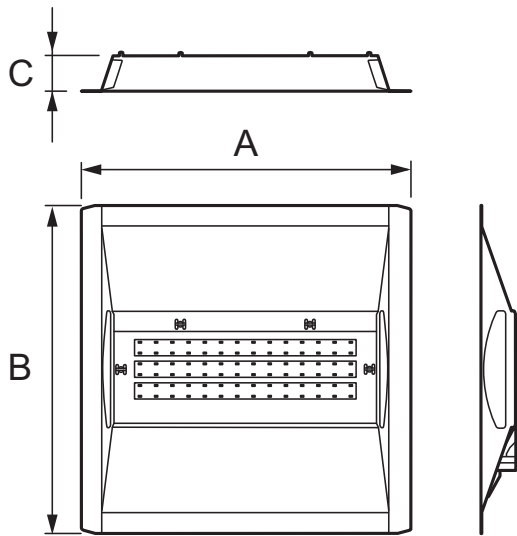
• Product Data

Product number	501791
Full product name	EVOKIT 2X2 P 32L 34W 835 5 MK10 7 G2
Short product name	EVOKIT 2X2 P 32L 34W 835 5 MK10 7 G2
Pieces per Sku	1
eop_pck_cfg	1
Skus/Case	1
Bar code on pack	781087133996
Bar code on case	30781087133997
Logistics code(s)	929000714113
eop_net_weight_pp	4.423 kg



PHILIPS

Dimensional drawing



EVOKIT 2X2 P 32L 34W 835 5 MK10 7 G2

Product	A (Norm)	B (Norm)	C (Norm)
EVOKIT 2X2 P 32L 34W 835 5 MK10 7 G2	607	607	74.9



© 2015 Koninklijke Philips N.V. (Royal Philips)
All rights reserved.

Specifications are subject to change without notice. Trademarks are the property of Koninklijke Philips N.V. (Royal Philips) or their respective owners.

www.philips.com/lighting

2015, January 20
data subject to change