



CUSTOMER NAME _____

PROJECT NAME _____

DATE _____ TYPE _____

CATALOG NUMBER _____

EACL® Series

LED Area Light/Compact Low Wattage

Current's EAL Series of Area Light Luminaires offer a wide range of optical patterns, color temperatures, lumen packages, and mounting configurations to optimize area light applications, as well as provide versatility in lighting design within the same form factor.

Construction

Housing:	Die-cast aluminum housing with integral heat sink for maximum heat transfer
Paint:	Corrosion resistant polyester powder paint, minimum 2.0 mil thickness Standard = Black, Dark Bronze Gray, White (RAL & custom colors available) Optional coastal finish available.
Weight:	18 lbs (8.16 kg) Max depending on configuration

Optical System

Lumens:	2,900 - 20,400
Distribution:	Asymmetric Forward Type IV Asymmetric Wide Type III Asymmetric Narrow/Auto Type II
Efficacy:	123 - 143 LPW
CCT:	3000K, 4000K, 5000K
CRI:	≥70

Electrical

Input Voltage:	120-277V & 347-480V
Input Frequency:	50/60Hz
Power Factor:	> 90% at rated watts
Total Harmonic Distortion:	< 20% at rated watts

Surge Protection*

TYPICAL (120 STRIKES)	ENHANCED (40 STRIKES)
6kV/3kA*	10kV/5kA*

*Per ANSI C136.2-2015

Warranty

5 Year (Standard)

Lumen Maintenance

Projected Lxx per IES TM-21-11 at 25°C

LUMEN CODES	LXX(10K) @ HOURS		
	25,000 HR	50,000 HR	60,000 HR
A2, A3, A4, B2, B3, B4, C2, C3, C4D2, D3, D4, E2, E3, E4, F2, F3, F4	L94	L90	L88
H2,H3, H4	L97	L96	L96

Note: Projected Lxx based on LM80 (≥ 10,000 hour testing). Accepted Industry tolerances apply to initial luminous flux and lumen maintenance measurements.

Luminaire Ambient Temperature Factor

AMBIENT TEMP (°C)	INITIAL FLUX FACTOR	AMBIENT TEMP (°C)	INITIAL FLUX FACTOR
10	1.02	30	0.99
20	1.01	40	0.98
25	1.00	50	0.97

Ratings

Operating Temperature:	-40°C to 50°C
Vibration:	3G vibration per ANSI C136.31-2018
LM-79:	Testing in accordance with IESNA Standards

Controls

Dimming:	Standard - 0-10V Optional - DALI (Option U)
Sensors:	Photo Electric Sensors (PE) available LightGrid+™ and Daintree Compatible



Not all product variations listed on this page are DLC qualified. Visit www.designlights.org/search to confirm qualifications.

CUSTOMER NAME _____

PROJECT NAME _____

DATE _____ TYPE _____

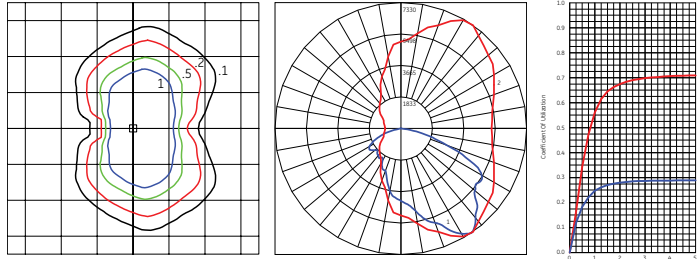
CATALOG NUMBER _____

OPTICAL CODE	DIST CODE	CLASSIFICATION	TYPICAL LUMENS		TYPICAL SYSTEM WATTAGE		BUG RATING	
			3000K	4000K & 5000K	120-277V	347-480V	3000K	4000K & 5000K
A4	AF	TYPE IV	2900	2900	21	23	B1-UO-G1	B1-UO-G1
B4			4900	4900	36	38	B1-UO-G1	B1-UO-G1
C4			7300	7300	55		B1-UO-G2	B1-UO-G2
D4			9800	9800	73		B2-UO-G2	B2-UO-G2
E4			12200	12200	95		B2-UO-G2	B2-UO-G2
F4			14700	14700	122		B2-UO-G2	B2-UO-G2
H4			19000	19000	153		B3-UO-G3	B3-UO-G3
A3			AW	TYPE III	2900	3000	21	23
B3	4900	5100			36	38	B1-UO-G1	B1-UO-G1
C3	7400	7600			55		B1-UO-G2	B1-UO-G2
D3	9900	10200			73		B2-UO-G2	B2-UO-G2
E3	12400	12700			95		B2-UO-G2	B2-UO-G2
F3	14900	15300			122		B2-UO-G2	B2-UO-G2
H3	19300	20400			153		B3-UO-G2	B3-UO-G2
A2	AN	TYPE II			2900	3000	21	23
B2			4900	5000	36	38	B1-UO-G1	B1-UO-G1
C2			7300	7500	55		B2-UO-G1	B2-UO-G2
D2			9800	10100	73		B2-UO-G2	B2-UO-G2
E2			12300	12600	95		B2-UO-G2	B2-UO-G2
F2			14700	15100	122		B3-UO-G2	B3-UO-G3
H2			19100	20200	153		B3-UO-G3	B3-UO-G3

For additional information on Non-Shielded and Shielded EACL IES files, please refer to LED.com

EACL - Type II - Very Short

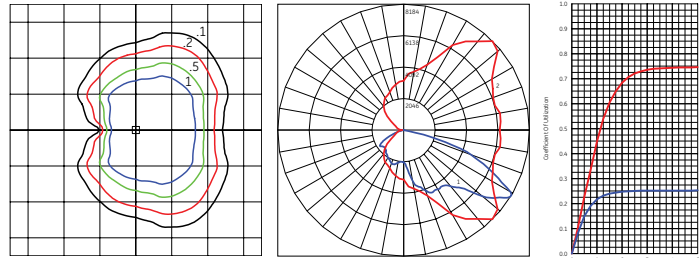
15,100 lumens
EACL01_F2AN750___.IES



Grid Distance in Units of Mounting Height at 20° Initial Footcandle Values at Grade — Vertical plane through horizontal angle of maximum candlepower at XX°
— Vertical plane through horizontal angle of XX°

EACL - Type III - Short

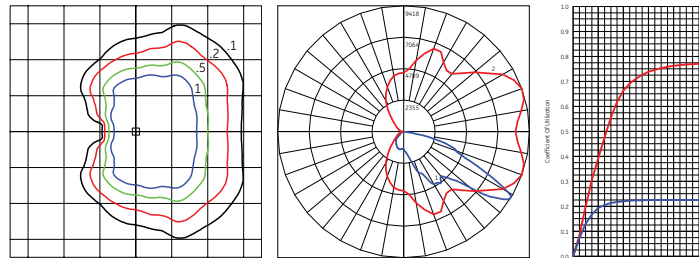
15,300 lumens
EACL01_F3AW750___.IES



Grid Distance in Units of Mounting Height at 20° Initial Footcandle Values at Grade — Vertical plane through horizontal angle of maximum candlepower at XX°
— Vertical plane through horizontal angle of XX°

EACL - Type III - Very Short

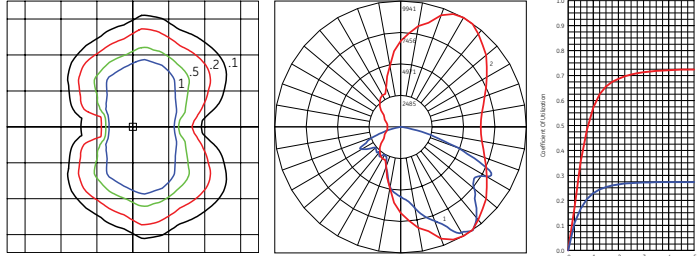
15,000 lumens
EACL01_F4AF750___.IES



Grid Distance in Units of Mounting Height at 20° Initial Footcandle Values at Grade — Vertical plane through horizontal angle of maximum candlepower at XX°
— Vertical plane through horizontal angle of XX°

EACL - Type II - Very Short

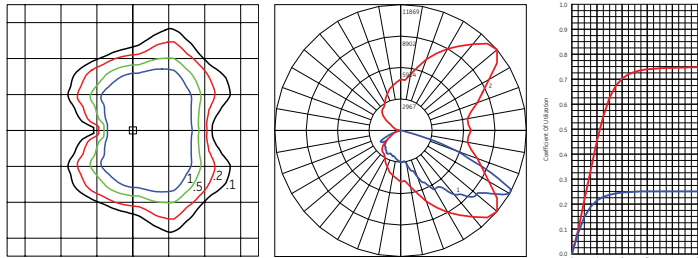
20,200 lumens
EACL01_H2AN750___IES



Grid Distance in Units of Mounting Height at 20' Initial Footcandle Values at Grade — Vertical plane through horizontal angle of maximum candlepower at XX°
— Vertical plane through horizontal angle of XX°

EACL - Type III - Short

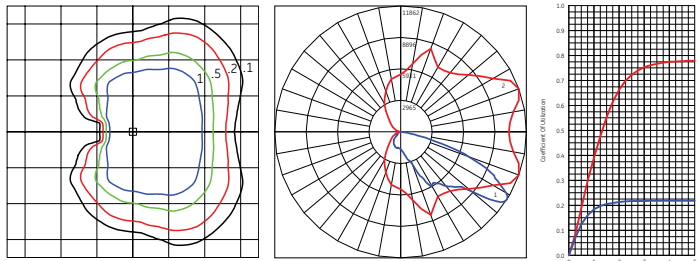
20,400 lumens
EACL01_H3AW750___IES



Grid Distance in Units of Mounting Height at 20' Initial Footcandle Values at Grade — Vertical plane through horizontal angle of maximum candlepower at XX°
— Vertical plane through horizontal angle of XX°

EACL - Type IV - Very Short

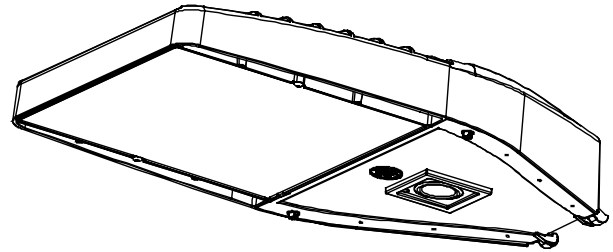
20,000 lumens
EACL01_H4AF750___IES



Grid Distance in Units of Mounting Height at 20' Initial Footcandle Values at Grade — Vertical plane through horizontal angle of maximum candlepower at XX°
— Vertical plane through horizontal angle of XX°

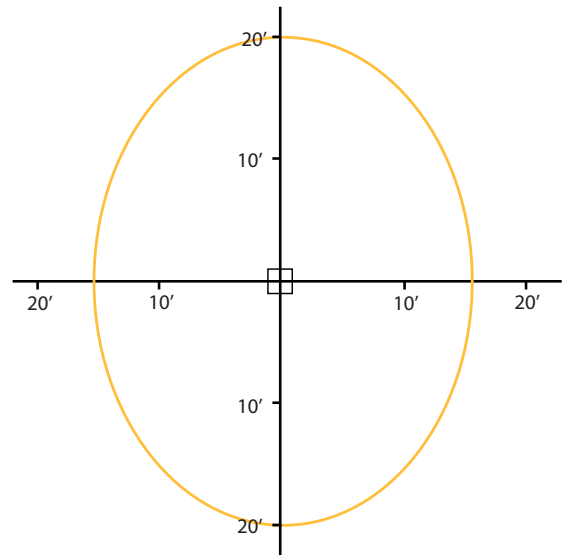
H-Motion Sensing Option

- Recommended Mounting Height: 15-30' (4.6-9.1m)
- For mounting heights exceeding 30 ft., pole mounted sensors are recommended
- Coverage Radius: 15-20' (4.6-6.1 m).
- Provides 270 degree of coverage (approx 90 is blocked by the pole)
- Default Settings:
 - Output: Occupied - 100%/Unoccupied - 50%
 - Integral PE Sensor.
 - 5 minute post-occupancy time delay, 5 minute dimming ramp-down.
- Fixture power increase of 1W expected with sensor use.



H1/4 - Motion Sensing Option (WattStopper)

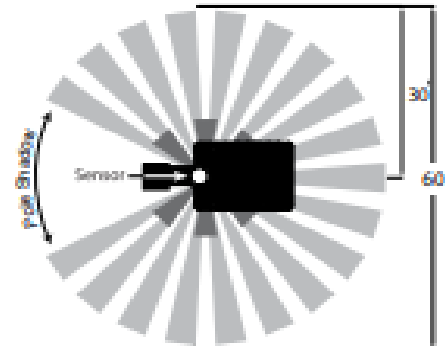
- Recommended Mounting Height: 15-30' (4.6-9.1m)
- For mounting heights exceeding 30 ft., pole mounted sensors are recommended
- Coverage Radius: 15-20' (4.6-6.1 m).
- Provides 270 degree of coverage (approx 90 is blocked by the pole)
- Default Settings:
 - Output: Occupied - 100%/Unoccupied - 10%
 - PE Sensor: Disabled
 - Ramp/Fade: Disabled
- Adds < 1W to fixture power rating
- Field programmable using FSIR-100 hand held programmer



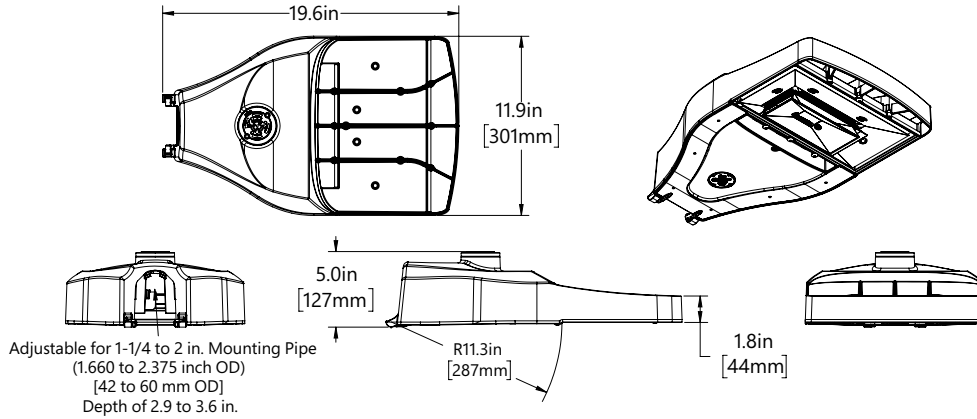
H2 - Motion Sensing Option (Daintree)

- Recommended Mounting Height: 15-30' (4.6-9.1m)
- For mounting heights exceeding 30 ft., pole mounted sensors are recommended
- Provides a coverage area radius for walking motion of 15-20 ft. (4.57-6.10m)
- Provides 270 degree of coverage (approx 90 is blocked by the pole)
- Default Settings:
 - Output: Occupied - 100%/Unoccupied - 50%
 - PE Sensor: None
 - Ramp/Fade: 5 Minutes/5 Minutes
- Adds < 1W to fixture power rating
- Requires Daintree Enterprise and wide area control (WAC)

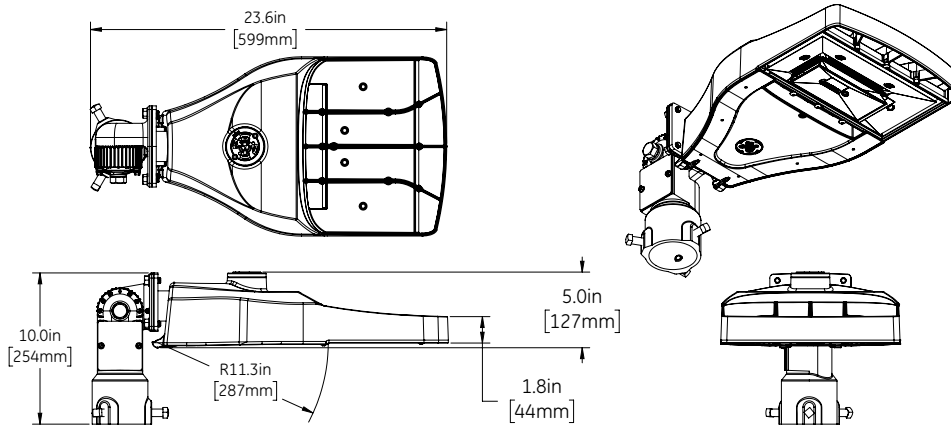
Sensing Pattern Area Fixture
Up to 30 ft. Mounting Height



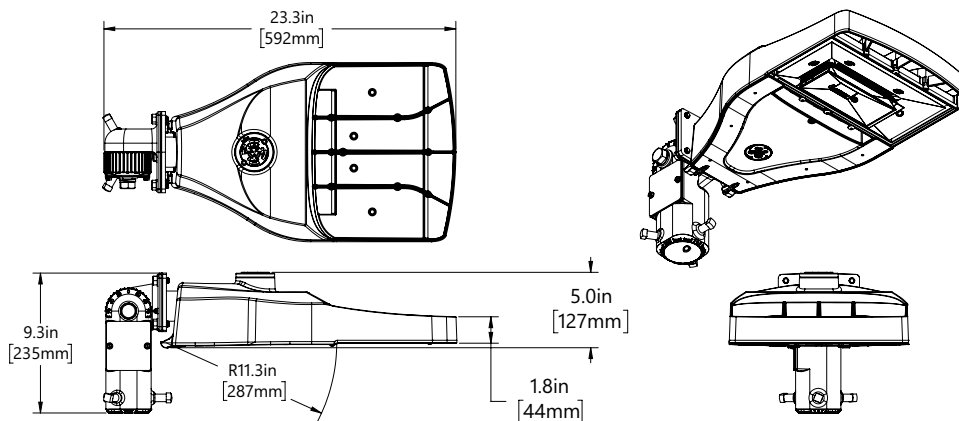
Integral Slipfitter: C1



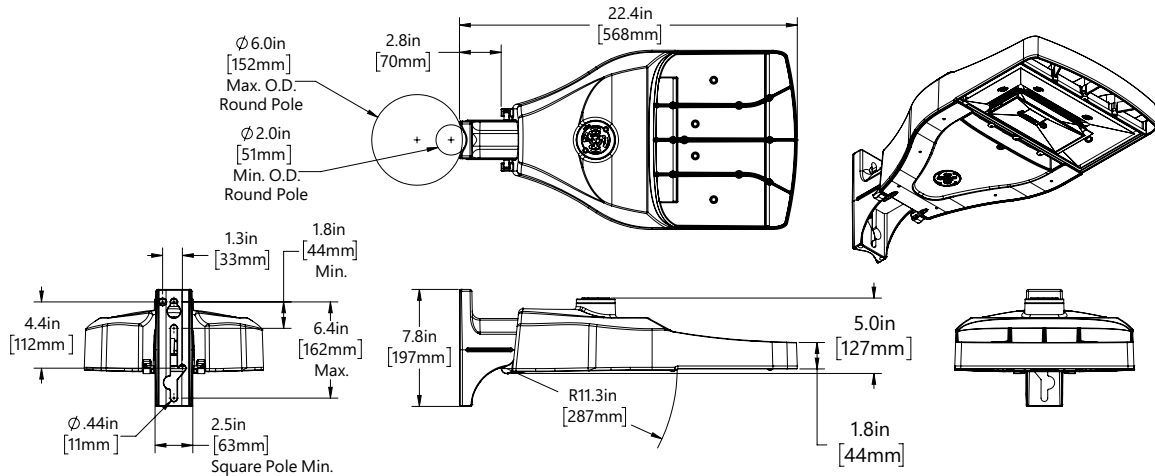
Knuckle Slipfitter: S1



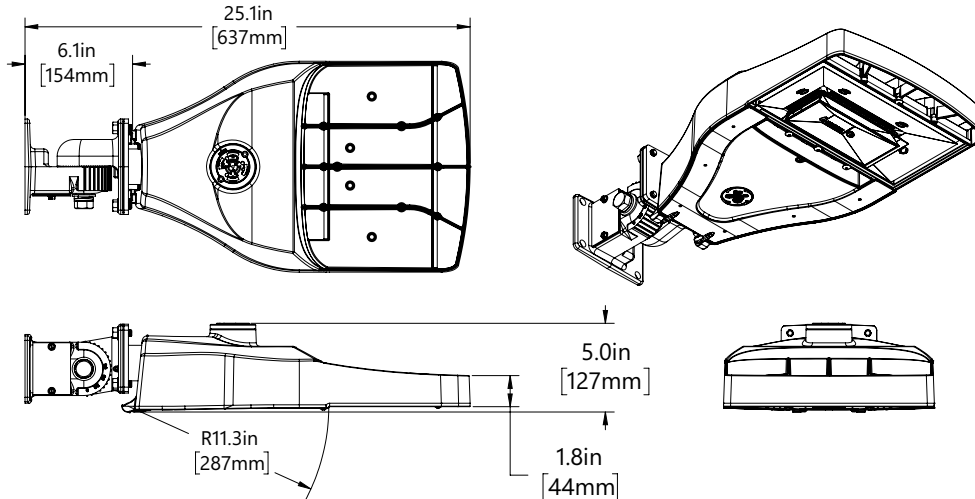
Knuckle Slipfitter: K1



Universal Mounting Arm: D1



Knuckle Wall Mount: V1



Weight

- 18 lbs (8.16 kg) Max depending on configuration

Effective Projected Area

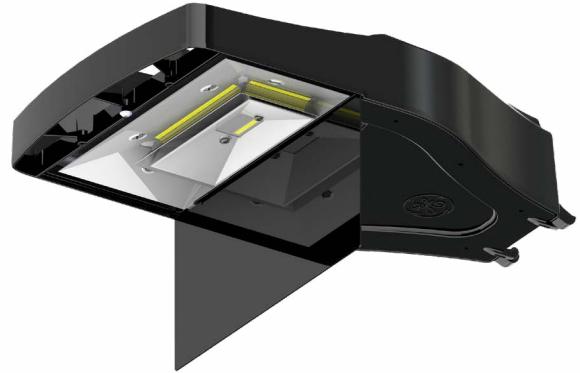
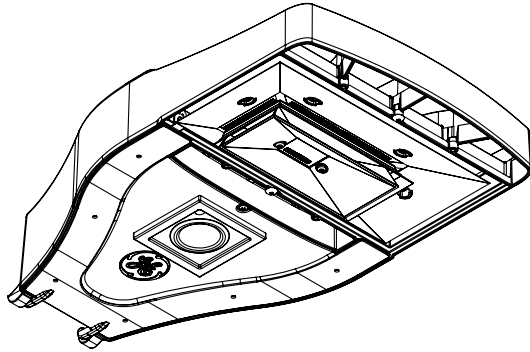
- Integral Slipfitter C1, EPA = 0.31 Min/0.37 Max
- Universal Arm Mount D1, EPA = 0.31 Min / 0.52 Max
- Knuckle Slipfitter S1, K1 downward aim, EPA = 0.46 Min / 0.56 Ma
- Knuckle Slipfitter S1, K1 45° aim, EPA = 0.56 Min / 1.03 Max

CUSTOMER NAME _____

PROJECT NAME _____

DATE _____ TYPE _____

CATALOG NUMBER _____



PE Accessories (To Be Order Separately)

SAP NUMBER	PART NUMBER	DESCRIPTION
93123552	WANSI - 277	ANSI 136.41 Dimming PE Danitree Enable, 105-305V
93123553	WANSI - 480	ANSI 136.41 Dimming PE Danitree Enable, 312-530V
93029237	PED-MV-LED-7	ANSI C136.41 Dimming PE, 120-277V
93029238	PED-347-LED-7	ANSI C136.41 Dimming PE, 347V
93029239	PED-480-LED-7	ANSI C136.41 Dimming PE, 480V

SAP NUMBER	PART NUMBER	DESCRIPTION
28299	PEC0TL	STANDARD 120-277V
28294	PEC5TL	STANDARD 480V
80436	PECDTL	STANDARD 347V
73251	SCCL-PECTL	Shorting cap

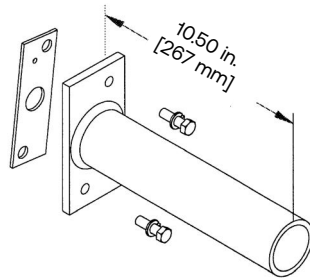
Back Light Shield

SHIELD ORIENTATIONS	CUTOFF DISTANCE	SHIELD ORDER LOGIC
Back	Long	ELS-EACL-RBL-BLCK

Mounting Arms for Slipfitter Order separately with Mounting Option C1 (Slipfitter)

Square pole mounting arm

- 3.5 to 4.5-inch (89 to 114mm) square (will allow 4 fixtures per pole @ 90 degrees.)

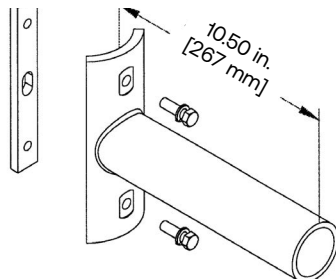


Order separately from fixture as catalog number

- SPA-EAMT10BLCK "Black"
- SPA-EAMT10DKBZ "Dark Bronze"
- SPA-EAMT10WHTE "White"
- SPA-EAMT10GRAY "Gray"

Round Pole Mounting Arm

- 3.5 to 4.5-inch (89 to 114mm) od (will allow 4 fixtures per pole @ 90 degrees.)



Order separately from fixture as catalog number

- RPA-EAMT10BLCK "Black"
- RPA-EAMT10DKBZ "Dark Bronze"
- RPA-EAMT10WHTE "White"
- RPA-EAMT10GRAY "Gray"

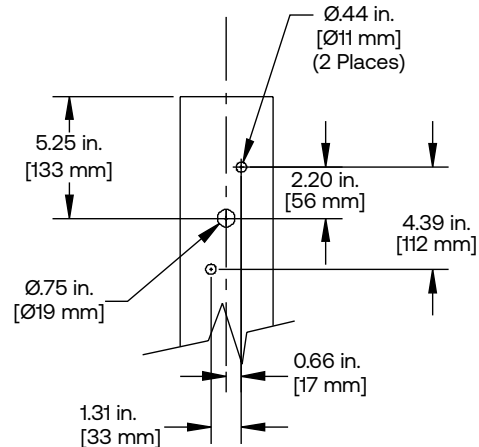
Wall Mounting Bracket Adapter Plate

Order separately from fixture as catalog number
WMB-EAMT06

*NOTE: For Wall Mounting, order luminaire with mounting arm: C1 = Slipfitter 2" Pipe (2.378 in. OD) supplied with leads.

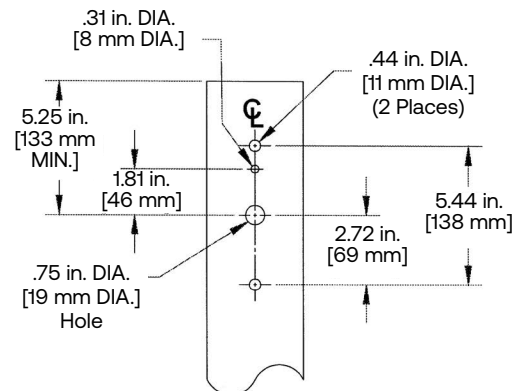
Other mounting patterns are available for retrofit installations. Contact manufacturing for other available mounting patterns.

Square pole mounting drilling template



Round Pole Mounting Drilling Template

- 3.5 TO 4.5-inch (89 to 114mm) OD round pole mounting arm



Wall MOUNTING Bracket Hole Pattern

