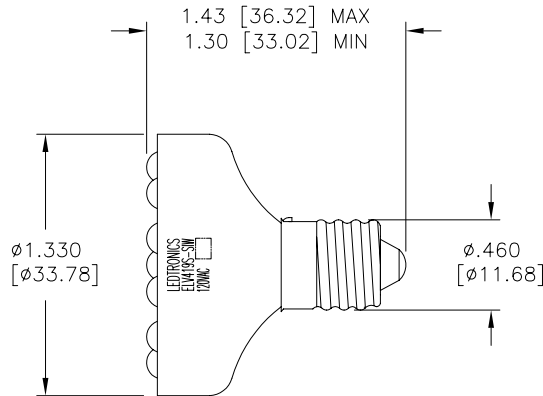


LTR	REVISION	DATE	APPD
A	050511-CY01: CHG. TO NEW MOLD SLEEVE	05-24-11	GP



NOTES:

1. ALL DIMENSIONS ARE IN INCHES [MILLIMETERS].
2. SLEEVE MATERIAL: RYNITE FR530.
3. BASE MATERIAL: BRASS
NICKEL PLATED BRASS

ELV419S-SIW-120A-SP	WARM WHITE	120VAC	28-38	3.1 W	-	17	52 lm	17cd	2950K
LEDTRONICS PART NO.	COLOR EMITTED	INPUT VOLTAGE, V	CURRENT (A)	ENERGY USED (Watts)	POWER FACTOR	EFFICACY (lm/W)	TOTAL LUMENS	FOOT CANDELA (max)	COLOR TEMP. (K)
		ELECTRICAL TEST							

LED[®]
LEDTRONICS,™ INC.
23105 KASHIWA COURT
TORRANCE, CA 90505

-PROPRIETARY-
This document contains Proprietary information of LEDTRONICS, INC. It may not be copied, used or disclosed for any purpose without the prior express written consent of LEDTRONICS, INC.

.XXX ± .010 TOLERANCE PER ANSI-Y14.5 (UNLESS OTHERWISE STATED)
.XX ± .025
ANGLES ± 0°,30'
FRACT. ± 1/32

TITLE							
ELV419S-SIW-120A-SP							
DWG NO		SCALE		SHEET		DATE	
E4190005-CUST		1:1		1 OF 2		02-23-11	
CODE IDENT NO.	DWG BY GP	CHK BY PL	QA RD	MFG LD	R&D BJ		
8Z410	02-23-11	05-25-11	05-27-11	05-25-11	05-25-11		

Luminaire Photometric Report

Filename: ELV4195-SIW-120A-SP

Manufacturer: LEDTRONICS

Luminaire: 120VAC, 3.1W

Luminaire Cat: ELV4195-SIW-120A-SP

Lamp: LUMEN RATING: 51.8Lms

Lamp Output: 1 lamp(s), rated Lumens/lamp: 51.8

Max Candela: 16.7 at Horizontal: 0°, Vertical: 0°

Luminous Opening: Point

Test: 2-24-11

Zonal Lumen Summary

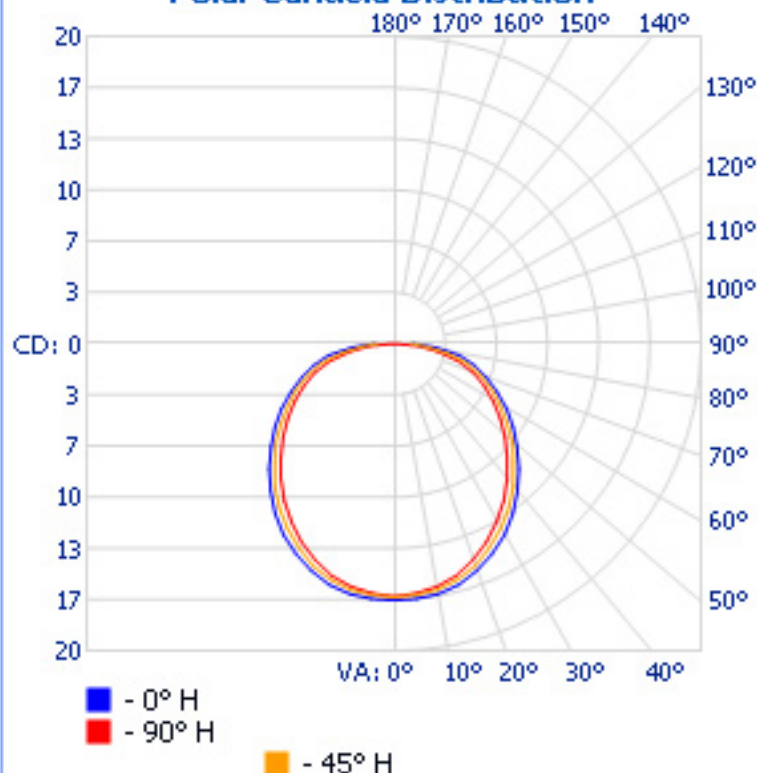
Zone	Lumens	% Lamp	% Luminaire
0-30	12.8	24.7%	24.7%
0-40	20.9	40.4%	40.4%
0-60	37.4	72.3%	72.3%
60-90	14.4	27.7%	27.7%
70-100	7.4	14.4%	14.4%
90-120	0	0%	0%
0-90	51.8	100%	100%
90-180	0	0%	0%
0-180	51.8	100%	100%

Illuminance at a Distance

	Center Beam FC	Beam Width	
0.8ft	24.05 fc	3.0ft	2.4ft
1.7ft	6.01 fc	5.9ft	4.8ft
2.5ft	2.67 fc	8.9ft	7.3ft
3.3ft	1.50 fc	11.8ft	9.7ft
4.2ft	0.96 fc	14.8ft	12.1ft
5.0ft	0.67 fc	17.7ft	14.5ft

■ Vert. Spread: 121.1° ■ Horiz. Spread: 110.8°

Polar Candela Distribution



Isofootcandle Plot

