





EMERGENCY LED DRIVER EM-0825-010/105-P2

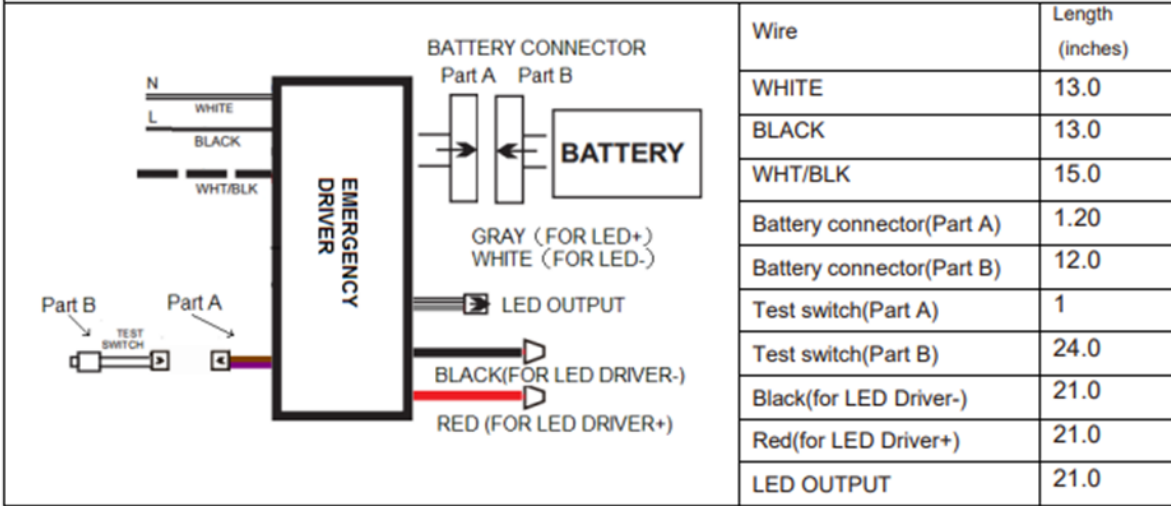


Product features

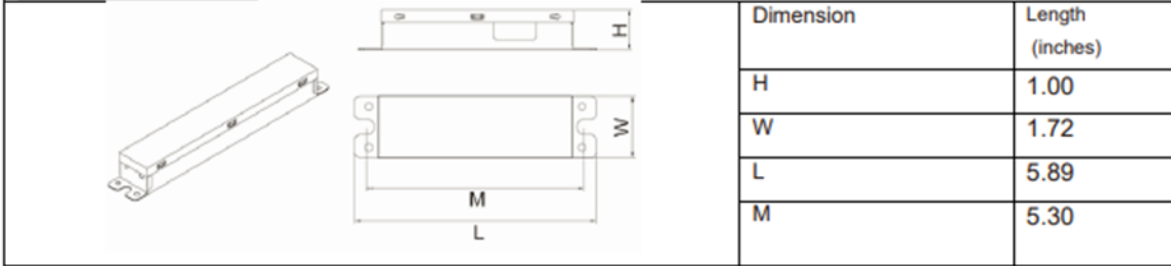
- 1050mA output Current max
- SELV for output voltage < 60 V DC
- Programmable constant current
- Open Circuit Protection
- Short Circuit Protection
- No PCB
- Sound Rated A
- UL / cUL R/C, Class 2
- FCC Part 15 Class B
- 5 Years Limited Warranty

ELECTRICAL DATA		Markings
Input voltage	120-277VAC 50/60Hz	   
Input current	150mA MAX.	
Power fact	0.6	
Recharge power	8W MAX.	
Standby power	<0.5W	
Red Lead	3A,90V	
White/black Lead	100W MAX.	
Output current	100~1050mA	
Output voltage	11~56V	
Output power	25W MAX.	
Output short protection	YES	
Output open protection	YES	
Ambient temperature	-20°C~50°C	
Ambient temperature2	10°C-50°C LiFePO4	
Tc MAX	70°C	
Time to light	0.3S from detection of emergency event	
Recharge time required	24- 48Hours (Refer to battery chart)	
Battery type	LiFePO4 9.6VDC	
Battery capacity available	0.9Ah~6Ah	

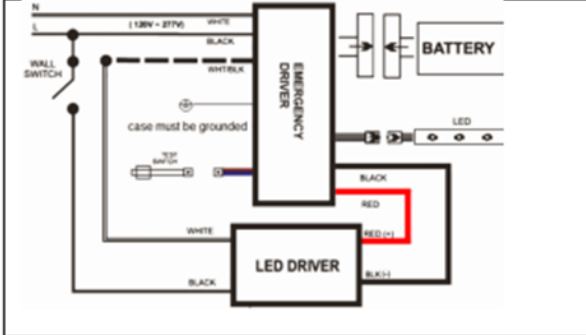
WIRING DIAGRAMS



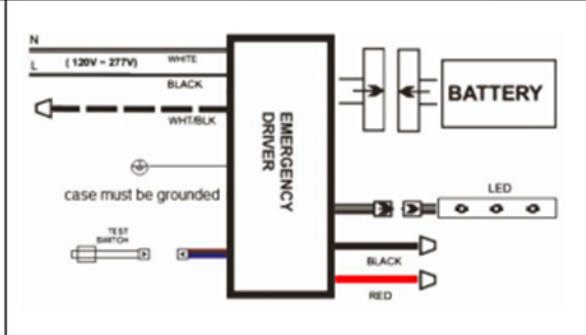
MECHANICAL DATA



WIRING DIAGRAM (TYP)



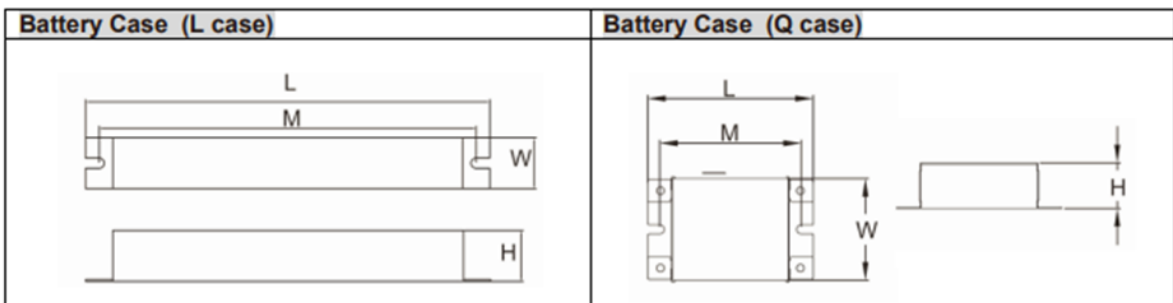
WIRING DIAGRAM (EMERGENCY ONLY)



EMERGENCY LED DRIVER EM-0825-010/105-P2

BATTERY CHART

Batter Order Code	Dimension (LxWxH)	Battery Type	Capacity	Wattage	Battery Voltage	Re-Charging Time
5W-L	9.37" x 1.10" x 1.12"	LiFePO4	1000mAH	5W	9.6V	24 Hrs
8W-L	9.37" x 1.10" x 1.12"		1500mAH	8W	9.6V	24 Hrs
16W-L	9.37" x 1.22" x 1.20"		3000mAH	16W	9.6V	32 Hrs
25W-L	9.37" x 2.24" x 1.20"		6000mAH	25W	9.6V	48 Hrs
5W-Q	3.62" x 2.70" x 0.98"		1000mAH	5W	9.6V	24 Hrs
8W-Q	3.62" x 2.70" x 0.98"		1500mAH	8W	9.6V	24 Hrs
16W-Q	4.61" x 2.83" x 1.20"		3000mAH	16W	9.6V	32 Hrs
25W-Q	4.61" x 2.83" x 2.38"		6000mAH	25W	9.6V	48 Hrs



Wattage: Max load for 90 minutes

Program Switch	Features
 	<p>Programmable Constant Current</p> <ul style="list-style-type: none"> • Pre-set by factory • Adjust it by yourself <p>Adjustable Output Current</p> <ul style="list-style-type: none"> • 10 ranges • 50mA per scale