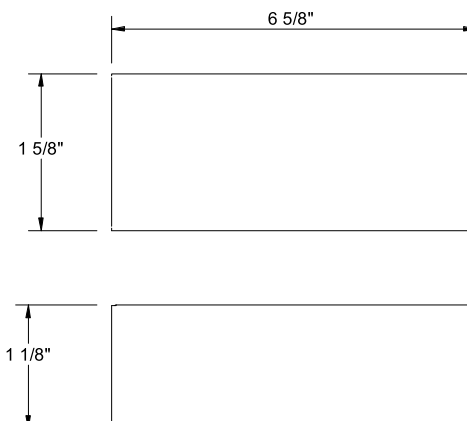


<b>CATALOG NUMBER</b>	<b>TYPE</b>
<b>PROJECT</b>	

**LOW VOLTAGE ELECTRONIC TRANSFORMER**

**MODEL EN-1260-RB2**



Ordering Matrix		
Model	Finish	Accessories
[ ]	[ ]	
EN-1260-RB2	BK	See table below

Ordering Example (model-finish) : EN-1260-RB2-BK

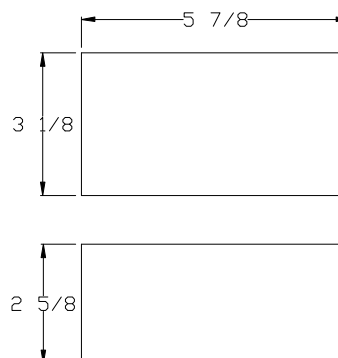
Product Details	
<b>Description:</b>	Low Voltage Class II electronic transformer designed to be used as an enclosed remote transformer. Enclosure has separate compartments for transformer, line and low voltage wiring.
<b>Catalog Number:</b>	EN = Advanced electronic circuitry 1260 = 12 volt , 60 watt RB = Remote Boxed, Class II AR = Auto-Reset
<b>Input:</b>	120V (50/60Hz)
<b>Output:</b>	12V
<b>Min Load:</b>	20W
<b>Max Load:</b>	60W
<b>Max Input Amp:</b>	0.53A (@ 120V)
<b>Transformer Frequency:</b>	20khz. True RMS meter is required to read the high frequency output.
<b>Dimming:</b>	Dimmable with electronic low voltage dimmers. Dimmers should always be installed on the primary side of the transformer.
<b>Listing:</b>	U.L. listed, File Number E204239.
<b>Accessories:</b>	MTB-01 – Multiple Terminal Block

Specification Features
<ul style="list-style-type: none"> <li>U.L. 2108 listed Class II electronic low voltage transformer.</li> <li>Built-in auto reset, soft start, short and overload circuit protection features. The soft start delayed start feature extends lamp life by delaying the abrupt inrush current to the lamp.</li> <li>Class II transformers are inherently protected and power limited, protecting the lighting system from both normal and abnormal short circuits</li> <li>Enclosure has knockouts on three sides. Screw holes are located on one long side for securing enclosure in place.</li> <li>5 year W.A.C. Lighting product warranty.</li> </ul>

<b>CATALOG NUMBER</b>	<b>TYPE</b>
<b>PROJECT</b>	

**LOW VOLTAGE ELECTRONIC TRANSFORMER**

**MODEL EN-12120-RB2**



**Ordering Matrix**

Model	Finish	Accessories
[ ]	[ ]	
EN-12120-RB2	BK	<i>See table below</i>

Ordering Example (model-finish) : EN-12120-RB2

**Product Details**

<b>Description:</b>	Low Voltage Class II electronic transformer designed to be used as an enclosed remote transformer. Enclosure has separate compartments for transformer, line and low voltage wiring. W.A.C Lighting Enclosed Class II transformers are equipped with on/off toggle switches and LED status indicators. Class II transformers are designed to be intrinsically safe. Secondary wiring for Class II transformers does not require conduit or clamp wiring techniques which are suitable for most cabinet listed fixtures.
<b>Catalog Number:</b>	EN = Advanced electronic circuitry 12120 = 12 volt , 120 watt RB2 = Remote Boxed, Class II
<b>Input Voltage:</b>	120V (50/60Hz)
<b>Output Voltage:</b>	12V
<b>Min Load:</b>	20W Per Circuit
<b>Max Load:</b>	60W Per Circuit; 2×60W=120W
<b>Max Input Amp:</b>	1.0A (@ 120V)
<b>Transformer Frequency:</b>	20khz. True RMS meter is required to read the high frequency output.
<b>Dimming:</b>	Dimmable with electronic low voltage dimmers. Dimmers should always be installed on the primary side of the transformer.
<b>Listing:</b>	U.L. listed, File Number E310393.
<b>Accessories:</b>	

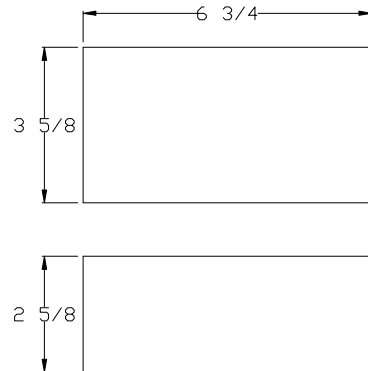
**Specification Features**

- Meets UL1012 and UL1310 standard .listed Class II electronic low voltage transformer.
- Built-in auto reset, soft start, short and overload circuit protection features. The soft start delayed start feature extends lamp life by delaying the abrupt inrush current to the lamp.
- Class II transformers are inherently protected and power limited, protecting the lighting system from both normal and abnormal short circuits
- Enclosure has knockouts on three sides. Screw holes are located on one long side for securing enclosure in place.
- 5 year W.A.C. Lighting product warranty.

<b>CATALOG NUMBER</b>	<b>TYPE</b>
<b>PROJECT</b>	

**LOW VOLTAGE ELECTRONIC TRANSFORMER**

**MODEL EN-12180-RB2**



Ordering Matrix		
Model	Finish	Accessories
[ ]	[ ]	
EN-12180-RB2	BK	<i>See table below</i>

Ordering Example (model-finish) : EN-12180-RB2

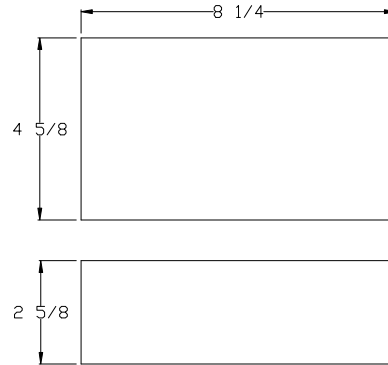
Product Details	
<b>Description:</b>	Low Voltage Class II electronic transformer designed to be used as an enclosed remote transformer. Enclosure has separate compartments for transformer, line and low voltage wiring. W.A.C Lighting Enclosed Class II transformers are equipped with on/off toggle switches and LED status indicators. Class II transformers are designed to be intrinsically safe. Secondary wiring for Class II transformers does not require conduit or clamp wiring techniques which are suitable for most cabinet listed fixtures.
<b>Catalog Number:</b>	EN = Advanced electronic circuitry 12180 = 12 volt , 180 watt RB2 = Remote Boxed, Class II
<b>Input Voltage:</b>	120V (50/60Hz)
<b>Output Voltage:</b>	12V
<b>Min Load:</b>	20W Per Circuit
<b>Max Load:</b>	60W Per Circuit; 3×60W=180W
<b>Max Input Amp:</b>	1.5A (@ 120V)
<b>Transformer Frequency:</b>	20khz. True RMS meter is required to read the high frequency output.
<b>Dimming:</b>	Dimmable with electronic low voltage dimmers. Dimmers should always be installed on the primary side of the transformer.
<b>Listing:</b>	U.L. listed, File Number E310393.
<b>Accessories:</b>	

Specification Features
<ul style="list-style-type: none"> <li>Meets UL1012 and UL1310 standard .listed Class II electronic low voltage transformer.</li> <li>Built-in auto reset, soft start, short and overload circuit protection features. The soft start delayed start feature extends lamp life by delaying the abrupt inrush current to the lamp.</li> <li>Class II transformers are inherently protected and power limited, protecting the lighting system from both normal and abnormal short circuits</li> <li>Enclosure has knockouts on three sides. Screw holes are located on one long side for securing enclosure in place.</li> <li>5 year W.A.C. Lighting product warranty.</li> </ul>

<b>CATALOG NUMBER</b>	<b>TYPE</b>
<b>PROJECT</b>	

**LOW VOLTAGE ELECTRONIC TRANSFORMER**

**MODEL EN-12300-RB2**



**Ordering Matrix**

Model	Finish	Accessories
[ ]	[ ]	
EN-12300-RB2	BK	<i>See table below</i>

Ordering Example (model-finish) : EN-12300-RB2

**Product Details**

<b>Description:</b>	Low Voltage Class II electronic transformer designed to be used as an enclosed remote transformer. Enclosure has separate compartments for transformer, line and low voltage wiring. W.A.C Lighting Enclosed Class II transformers are equipped with on/off toggle switches and LED status indicators. Class II transformers are designed to be intrinsically safe. Secondary wiring for Class II transformers does not require conduit or clamp wiring techniques which are suitable for most cabinet listed fixtures.
<b>Catalog Number:</b>	EN = Advanced electronic circuitry 12300 = 12 volt , 300 watt RB2 = Remote Boxed, Class II
<b>Input Voltage:</b>	120V (50/60Hz)
<b>Output Voltage:</b>	12V
<b>Min Load:</b>	20W Per Circuit
<b>Max Load:</b>	60W Per Circuit; 5×60W=300W
<b>Max Input Amp:</b>	2.5A (@ 120V)
<b>Transformer Frequency:</b>	20khz. True RMS meter is required to read the high frequency output.
<b>Dimming:</b>	Dimmable with electronic low voltage dimmers. Dimmers should always be installed on the primary side of the transformer.
<b>Listing:</b>	U.L. listed, File Number E310393.
<b>Accessories:</b>	

**Specification Features**

- Meets UL1012 and UL1310 standard .listed Class II electronic low voltage transformer.
- Built-in auto reset, soft start, short and overload circuit protection features. The soft start delayed start feature extends lamp life by delaying the abrupt inrush current to the lamp.
- Class II transformers are inherently protected and power limited, protecting the lighting system from both normal and abnormal short circuits
- Enclosure has knockouts on three sides. Screw holes are located on one long side for securing enclosure in place.
- 5 year W.A.C. Lighting product warranty.