

Click Below To Order

Interlight Specialty Bulbs  
 1-800-743-0005  
[www.interlight.biz](http://www.interlight.biz)

## AIRCRAFT LANDING LAMPS

Increase actual flight hours with Amglo's Q4559XX Ruggedized Landing Lamp!  
 Same fit, form, and function to industry standard Q4559X.

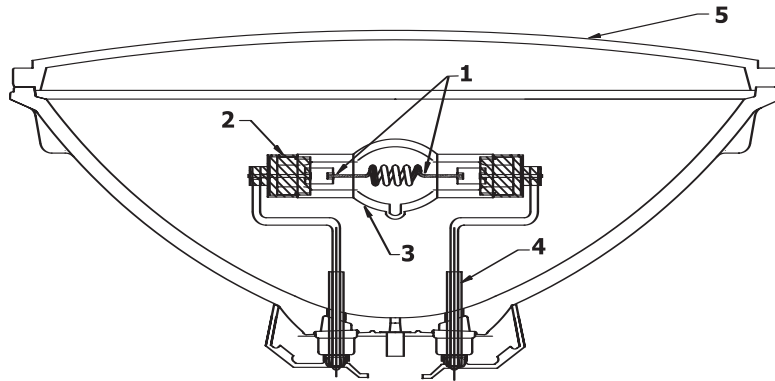


Figure 1. Q4559XX (Par 64)

**REDUCE YOUR  
 MAINTENANCE  
 COSTS!**

**PATENTED  
 TECHNOLOGY!**

THE ABOVE DRAWING ILLUSTRATES THE IMPORTANT CHANGES THAT HAVE BEEN INCORPORATED

1. Shortening of the filament leg has reduced displacement from harmonics or cyclic vibrations thus extending filament life.
2. The endcap and lamp support connection eliminates torque or force on the lamp electrical connection ensuring continuity.
3. Greater bulb wall thickness allows higher gas fill pressure which extends filament life.
4. The tapered lamp support posts with heavier diameter footings control displacement eliminating the need for stay supports thus increasing light output and reducing beam distortion.
5. Dedicated Par 64 annealing processes have been instituted to eliminate glass fracturing.

FLIGHT DATA AVAILABLE ON REQUEST

## AIRCRAFT EXTERIOR / NAVIGATION LAMPS

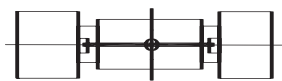


Figure 1

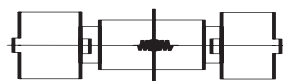


Figure 2

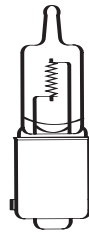


Figure 3

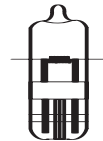


Figure 4



Figure 5

(ANSI) P/N INDUSTRY	VOLTS	WATTS	MSCP LUMENS	RATED LAB LIFE	FILAMENT TYPE	TERMINATION	FIGURE
1978X	10	100	130	2000	C-8	END CAP	1
1970X	28	100	140	1000	CC-8	END CAP	2
9203	28	35	630 L	2000		SC BAY	3
1924X	28	150	3000 L	1000		DC BAY	3
ERF/1994	14	50	95	150	CC-6	WEDGE	4
ERD/1992	14	35	64	150	CC-6	WEDGE	4
ESG/1999	28	25	40	125	CC-6	WEDGE	4
ERC/1991	14	25	40	200	CC-6	WEDGE	4
55-2526-1	12	3.5	40	1000	C-6	G-4	5