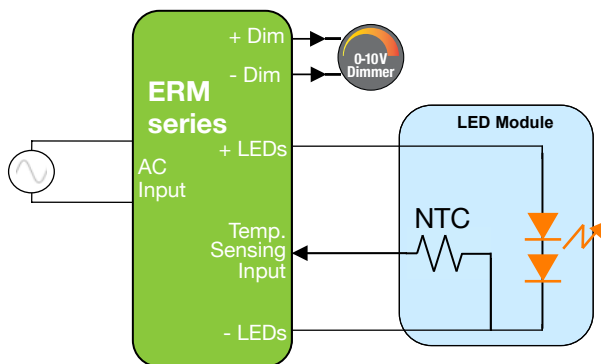


High Power Density Constant Current LED Drivers with 0-10 V Dimming

Input Voltage	Max. Output Power	Output Voltage	Output Current	Efficiency	Max. Case Temperature	THD	Power Factor	Dimming Method	Dimming Range
120 & 277 Vac nominal	70 W	21 to 82 Vdc	700 mA to 2.1 A CC	up to 90% typical	90°C (measured at hot spot)	< 20%	> 0.9	0-10 V	10 - 100% (% of Iout)

CC: Constant Current



Metal Case
L 81.5 x W 56.2 x H 31.5 mm
(L 3.21 x W 2.21 x H 1.24 in)

FEATURES

- Very High power density in the market: 8.2 W/in³
- Protections: output open load, over-current and short-circuit (hiccup), and over-temperature with auto recovery
- Conducted and radiated EMI: FCC CFR Title 47 Part 15 compliant with Class B at 120 Vac and Class A at 277 Vac
- Complies with ENERGY STAR® luminaire specification and DLC (DesignLight Consortium®) technical requirements
- IP64-rated case with silicone-based potting
- Lifetime: 50,000 hours min at 70°C case temperature
- 90°C maximum case hot spot temperature
- Class 2 power supply



ERP Part Number	Nominal Input Voltage (Vac)	Iout (mA)	Max Output Power (W)	Output Voltage Range (Vdc)	
				Min	Max
ERM050: 40 to 50 W					
ERM050W-1050-42	120 & 277	1050	44.1	32	42
ERM050W-1200-42	120 & 277	1200	50.4	32	42
ERM050W-1800-28	120 & 277	1800	50.4	21	28
ERM060: 51 to 70 W					
ERM060W-0700-82 ^[1]	120 & 277	700	57.4	62	82
ERM060W-1400-42	120 & 277	1400	58.8	32	42
ERM060W-1600-42	120 & 277	1600	67.2	32	42
ERM060W-1750-40	120 & 277	1750	70	30	40
ERM060W-2100-28	120 & 277	2100	58.8	21	28

Notes:
1. Not class 2

APPLICATIONS

- High current COB LEDs
- High Bay Lights
- Troffers
- Outdoor LED Lighting
- Office LED Lighting
- Industrial LED Lighting



Mouser Electronics

Authorized Distributor

Click to View Pricing, Inventory, Delivery & Lifecycle Information:

ERP Power:

[ERM060W-2100-28](#) [ERM050W-1200-42](#) [ERM050W-1800-28](#) [ERM060W-1750-40](#) [ERM060W-0700-82](#) [ERM060W-1400-42](#) [ERM060W-1600-42](#) [ERM050W-1050-42](#)