



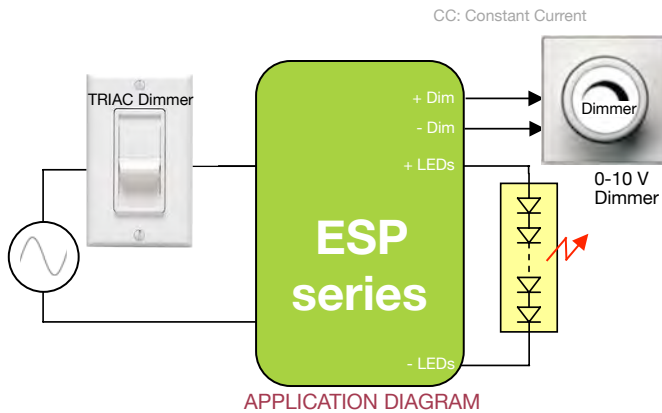
Energy Recovery Products™

ESP Series

ESP040 31-40 W
 ESP050 41-50 W
 ESP060 51-60 W

Tri-Mode Dimming™ (0-10 V & TRIAC/ELV) Constant Current LED Drivers with Fast Startup Time

Nominal Input Voltage	Max. Output Power	Output Voltage	Output Current	Efficiency	Max. Case Temperature	THD	Power Factor	Dimming Method	Dimming Range	Startup Time
120 to 277 Vac, 220 to 240 Vac	60 W	21 to 56 Vdc	700 mA to 1.4 A CC	up to 87% typical	90°C (measured at the hot spot)	< 20%	> 0.9	Forward-Phase, Reverse-Phase & 0 - 10V	1 - 100% (% of Iout)	300 ms typical



ERP Part Number	Nominal Input Voltage (Vac)	Iout (mA)	Max Output Power (W)	Output Voltage Range (Vdc)	
				Min	Max
ESP040W: 30-40W					
ESP040W-0700-56	120 - 277	700	39.2	40	56
ESP040W-0800-42	120 - 277	800	33.6	24	42
ESP040W-0850-42	120 - 277	850	35.7	24	42
ESP040W-0900-42	120 - 277	900	37.8	24	42
ESP040W-0940-33-SS-F1 ^[1]	120 - 277	940	31.0	28	33
ESP040W-0940-43	120 - 277	940	40.4	35	43
ESP050W: 41-50W					
ESP050W-1050-42	120 - 277	1050	44.1	24	42
ESP050W-1200-42	120 - 277	1200	50.4	24	42
ESP050W-1400-32	120 - 277	1400	44.8	21	32
ESP050W-1400-34	120 - 277	1400	47.6	23	34
ESP060W: 51-60W					
ESP060W-1400-42	120 - 277	1400	58.8	24	42
ESP040E: 30 to 40 W					
ESP040E-0800-42	220/230/240	800	33.6	24	42
ESP040E-0850-42	220/230/240	850	35.7	24	42
ESP040E-0900-42	220/230/240	900	37.8	24	42
ESP050E: 41 to 50 W					
ESP050E-1050-42	220/230/240	1050	44.1	24	42
ESP050E-1200-42	220/230/240	1200	50.4	24	42
ESP060E: 41 to 50 W					
ESP060E-1400-42	220/230/240	1400	58.8	24	42

FEATURES

- Compatible with TRIAC (forward-phase or leading-edge), ELV (reverse-phase or trailing-edge) and 0-10 V dimmers
- ESPxxxW: TRIAC and ELV dimming only at 120 Vac.
- ESPxxxE: TRIAC and ELV dimming only at 230 Vac.
- Linear 0-10V dimming transfer function: 10V=100%, 1V=10%, 0.1V=1%
- Lifetime: 103,500 hours at 70°C case hot spot temperature (54°C ambient temperature) for ESP040W-0700-56 (39 W)
- Protections: output open load, over-current and short-circuit (hiccup), and over-temperature with auto recovery
- Conducted and radiated EMI: Compliant with FCC CFR Title 47 Part 15 Class B (120 Vac)/Class A (277 Vac) and EN55015 (CISPR 15) at 220/230/240 Vac
- Complies with ENERGY STAR® luminaire specification and DLC (DesignLight Consortium®) technical requirements
- IP64-rated case with silicone-based potting
- 90°C maximum case hot spot temperature
- Class 2 power supply

APPLICATIONS

- Commercial lighting
- Residential lighting
- Architectural lighting
- Wide-area downlights

Notes:

1. The ESP040W-0940-33-SS-F1 is specifically intended to drive the Cree LMH2 3000 sunset module and exhibits a customized 0-10V dimming transfer function. It will not work with any other LED or LED string.
2. For additional options of output current and output voltage, contact your sales representative or send an email to: SaveEnergy@ERPPowerLLC.com



PLASTIC CASE
 L 87 x W 60 x H 27.2 mm
 (L 3.43 x W 2.36 x H 1.07 in)

CHINA Operations

tel: +86-756-6266298
 No. 8 Pingdong Road 2
 Zhuhai, Guangdong, China 519060

www.ERPPowerLLC.com

SaveEnergy@ERPPowerLLC.com

USA Headquarters

tel: +1-805-517-1300
 893 Patriot Drive, Suite E
 Moorpark, CA 93021, USA

Mouser Electronics

Authorized Distributor

Click to View Pricing, Inventory, Delivery & Lifecycle Information:

[ERP \(Energy Recovery Products\):](#)

[ESP060W-1400-42](#) [ESP040W-0700-56](#) [ESP040W-0900-42](#) [ESP040W-0940-43](#) [ESP050W-1050-42](#) [ESP040W-0940-33-SS-F1](#) [ESP050W-1400-32](#) [ESP050W-1400-34](#) [ESP050W-1200-42](#) [ESP040W-0850-42](#) [ESP040W-0800-42](#) [ESP060E-1400-42](#) [ESP040E-0900-42](#) [ESP040E-0800-42](#) [ESP040E-0850-42](#) [ESP050E-1050-42](#) [ESP050E-1200-42](#)