

General Illumination Round Wallwash Downlight **2"**



OVERVIEW

Feature Set

- Fully serviceable and upgradeable lensed LED light engine
- 70% lumen maintenance at 60,000 hours
- 2.5 SDCM; 85 CRI typical, 90+ CRI optional
- Fixtures are damp location

Distribution



Superior Performance

Nominal lumens	250	500	750	1000	1500
Delivered	207	421	626	837	1199
Wattage	3.4	6.3	9.7	12.7	21.2
Efficacy	61	66	65	66	57

*Based on 3500K 80CRI AR LSS

COMPLIMENTARY PRODUCTS

Coordinated Apertures | Multiple Layers of Light



General Illumination Layer | EVO



High Center Beam Layer | Incito



EVO + Incito — Multiple Layers of Light

Core	Downlight	Adjustable	Open Wallwash	Lensed Wallwash	Cylinder	Pinhole	Bevel	Hyperbolic
Healthcare	MRI	Surgical Suite	Patient Room					
Special Applications	Dynamic	Food Service	Vandal/Tamper	Clean Room	Shower	Steam Room		

A+ Capable options indicated by this color background.

Luminaire Type:

Catalog Number:

EXAMPLE: EV02WW 35/10 AR LSS MVOLT UGZ

Series	Color Temperature	Lumens	Reflector Color	Flange Type	Reflector Finish
EV02WW EVO 2in Round Open Wall Wash	27/ 2700 K	02 250 lumens	AR Clear	(blank) Self-flanged	LSS Semi-specular
EV02DWW EVO 2in Round Double Wall Wash	30/ 3000 K	05 500 lumens	PR Pewter	FL Flangeless	LD Matte diffuse
EV02CWW EVO 2in Round Corner Wall Wash	35/ 3500 K	07 750 lumens	WTR Wheat		
	40/ 4000 K	10 1000 lumens	GR Gold		
	50/ ¹ 5000 K	15 1500 lumens	WR ² White painted		

Voltage	Driver	Control Interface ⁴	Options
MVOLT 120V - 277V	UGZ³ Universal dimming to 1% (0-10V, 120V TRIAC or ELV)	(blank)	90CRI¹ High CRI (90+)
120 120V		NLT nLight® dimming pack.	NCH⁶ Structural reinforcement pan
277 277V		NLTER⁵ nLight® dimming pack for fixtures on emergency circuit	ICAT⁷ IC/Airtight housing construction
		NLTAIR2 nLight® AIR dimming pack.	CP⁷ Chicago Plenum
		NLTAIRER2⁵ nLight® AIR dimming pack for fixtures on emergency circuit	HAO High ambient (40°C)
		NLTAIREM2 nLight® AIR dimming pack for fixtures on emergency circuit	N80¹⁰ nLight Lumen Compensation
			TRW⁸ White painted flange
			TRBL⁹ Black painted flange

ACCESSORIES — order as separate catalog numbers (shipped separately)

HS258	2-5/8" Hole saw
HS234FL	Hole saw for flangeless trim option
SDT 347/120 75VA	347V/120V, 75VA step down transformer. Must be remote mounted.

ORDERING NOTES

- 5000K CCT not available with 90CRI.
- Not available with Reflector Finish.
- Refer to [Tech 240](#) for compatible dimmers.
- Field installed. Access required to location of remote mounted device
- ER for use with generator supply power. Will require an emergency hot feed and normal hot feed.
- NCH is required for T-grid ceilings or where code requires.
- Not available with 1500lm.
- For use with different reflector finish only (i.e. AR, PR, WTR, GR options). Not available with WR (White Reflector). Not available with FL.
- For use with different reflector finish only (i.e. AR, PR, WTR, GR options). Not available with BR (Black Reflector). Not available with FL.
- Requires NLT or NLTER.

Optical and Trim Assembly

Fully serviceable and upgradeable lensed LED light engine suitable for field maintenance or service from below the ceiling. Flangeless trim option includes proprietary Gotham mud ring enabling seamless integration into drywall applications. Mud ring ships separately.

Electrical

The luminaire shall operate from a 50 or 60 Hz ± 3 Hz AC line over a voltage ranging from 120 VAC to 277 VAC. Support 347V via remote-mounted stepdown transformer. The fluctuations of line voltage shall have no visible effect on the luminous output. The luminaire shall have a power factor of 90% or greater at all standard operating voltages and full luminaire output. Sound Rated A+. Driver shall be >80% efficient at full load across all input voltages.

Controls

Luminaire shall be equipped with interface for nLight wired or nLight AIR networks with integral power supply as per specification.

Dimming

The luminaire shall be capable of continuous dimming without perceivable stroboscopic flicker as measured by flicker index (ANSI/IES RP-16-10) over a range of 100 – 1.0% of rated lumen output with a smooth shut off function to step to 0%. Driver is inaudible in 24dB environment, and stable when input voltage conditions fluctuate over what is typically experienced in a commercial environment.

Construction

Light engine and driver are accessible from below ceiling. Several additional mounting options available including a structural reinforcement pan, Chicago plenum, and Type IC. Anodized extruded aluminum wiring compartment with hinged access. With two 1/2" trade-sized knockouts rated for 90°C. Accommodates between 3/8" to 2-3/4"-thick ceilings.

Listings

Fixtures are UL Certified to meet US and Canadian Standards: All fixtures manufactured in strict accordance with the appropriate and current requirements of the "Standards for Safety" to UL, wet location covered ceiling. IC rated with ICAT option. Fixtures with ICAT option are compatible with spray foam insulation with an R-value of 4.3 per inch or less.

Photometrics

LEDs tested to LM-80 standards. Measured by IESNA Standard LM-79-08 in an accredited lab. Lumen output shall not decrease by more than 30% over the minimum operational life of 60,000 hours. Color appearance from luminaire to luminaire of the same type and in all configurations, shall be consistent both initially and at 6,000 hours and operate with in a tolerance of <2.5 MacAdam ellipse as defined by the center of the quadrangles defined in ANSI C78.377-2015.

Government Procurement

BAA - Buy America(n) Act: Product qualifies as a domestic end product under the Buy American Act as implemented in the FAR and DFARS. Product also qualifies as manufactured in the United States under DOT Buy America regulations
 BABA - Build America Buy America: Product qualifies as produced in the United States under the definitions of the Build America, Buy America Act
 Please refer to www.acuitybrands.com/buy-american for additional information.

Warranty

5-year limited warranty. This is the only warranty provided and no other statements in this specification sheet create any warranty of any kind. All other express and implied warranties are disclaimed. Complete warranty terms located at: www.acuitybrands.com/support/warranty/terms-and-conditions

Note:

Actual performance may differ as a result of end user environment and application. All values are design or typical values, measured under laboratory conditions at 25 °C.

A+ Capable Luminaire

This item is an A+ capable luminaire, which has been designed and tested to provide consistent color appearance and out-of-the-box control compatibility with simple commissioning.

- All configurations of this luminaire meet the Acuity Brands' specification for chromatic consistency
- This luminaire is part of an A+ Certified solution for nLight® control networks when ordered with drivers marked by a shaded background*
- This luminaire is part of an A+ Certified solution for nLight® control networks, providing advanced control functionality at the luminaire level, when selection includes driver and control options marked by a shaded background*

To learn more about A+, visit www.acuitybrands.com/aplus.

*See ordering tree for details

Tables of Use

Lumen Output Multiplier		
CRI	CCT	Multiplier
80	2700K	0.910
	3000K	0.946
	3500K	1.000
	4000K	1.027
	5000K	1.054
90	2700K	0.784
	3000K	0.847
	3500K	0.874
	4000K	0.946

Reflector Finish Multiplier	
Reflector Finish	Multiplier
LSS - Semi Specular	1.00
LD - Matte Diffuse	0.98
Reflector Color	Multiplier
WR - White	0.98
BR - Black	0.92
BZR - Bronze	0.91
AR - Clear	1.00
GR - Gold	0.99
PR - Pewter	0.99
WTR - Wheat	0.98

Driver		Control Provided				
Nomenclature	Description	NLT	NLTER	NLTAIR2	NLTAIREM2	NLTAIRER2
UGZ	0-10V driver dims to 1%	nPP16 D EFP	nPP16 D ER EFP	RPP20 D 24V G2	RPP20 D 24V EM G2	RPP20 D 24V ER G2

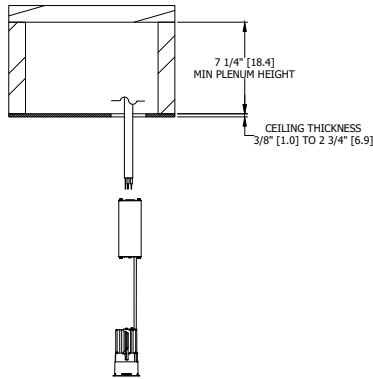
Marked Spacing in Inches 25°C Ambient			
Lumen Package	Fixed Center to Center MIN	Fixture Center to Building Member MIN	Space Above Fixture
1500 (HAO)	18	9	3

DIMENSIONAL DATA

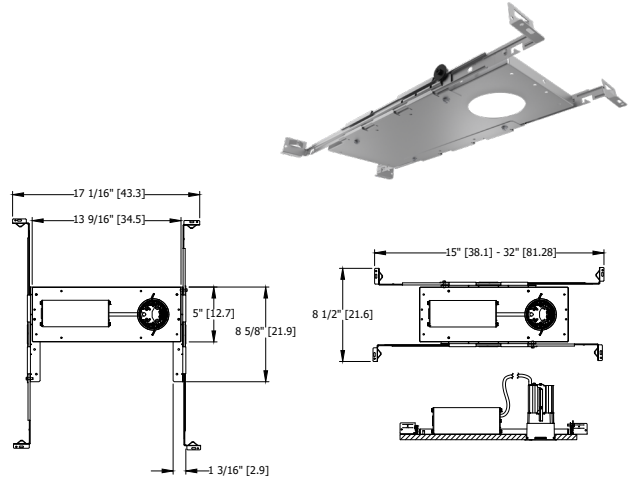
*Dimensions in inches [centimeters]

Aperture: 2-1/4" [5.7]	Ceiling Opening: 2-5/8" [6.7] self-flanged
Overlap Trim: 3" [7.6]	2-3/4" [7] flangeless

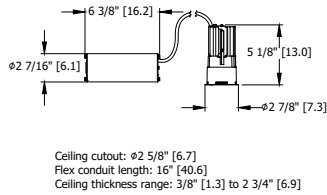
Recessed Application - Minimum Clearance Requirements



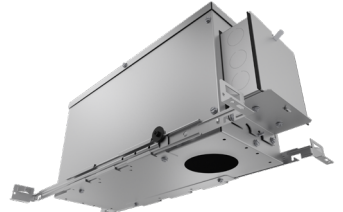
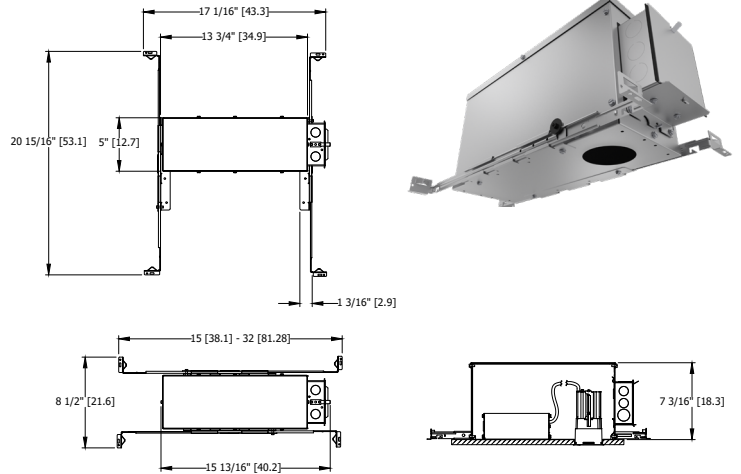
Structural Reinforcement Pan



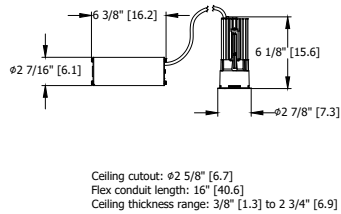
1000 Lumen and Below Install-from-Below Construction



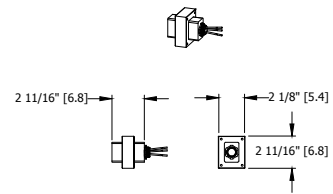
IC / Airtight Housing / Chicago Plenum Construction



1500 Lumen or High Ambient Option Install-from-Below Construction



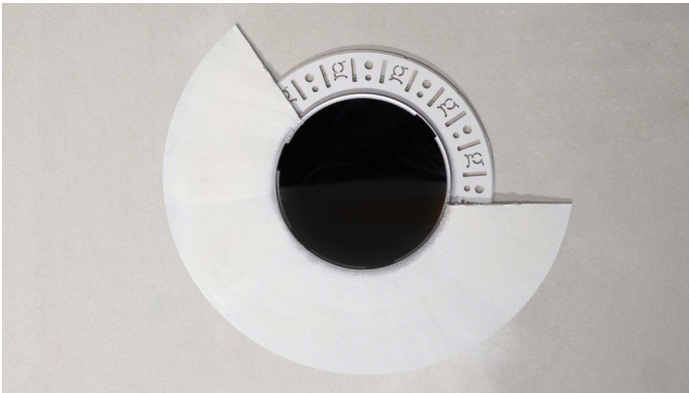
347V Transformer



347 Transformer:
 Install to accessible
 junction box by others



Partially finished mud ring, showing cross-section detail.



An ICO downlight requires only approximately 3" of plaster to finish.



ICO with flangeless trim

Flangeless Installation

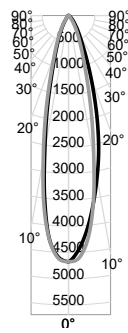
Gotham's flangeless option utilizes a micro-thin polymer mud ring that minimizes the amount of drywall compound required to finish the ceiling. The end result is a virtually undetectable flangeless downlight installation.

The polymer mud ring is installed independent of the recessed frame, therefore floating with the ceiling. This innovation minimizes any surface cracks during reflector installation, ceiling movement and any future service to the recessed frame, wiring, electronics, etc.

Photometry

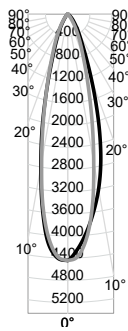
CONSULT WWW.GOTHAMLIGHTING.COM FOR ADDITIONAL PHOTOMETRY

EVO2WW 35/15 AR LSS Input Watts: 21.2, Delivered Lumens: 1199, LPW: 56.6, S/MH: 0.46, Test No: 19-648-01P57



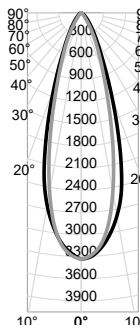
CP Summary		Zonal Lumen Summary			Coefficients of Utilization										Luminance (cd/sq.m)		
0°	90°	Zone	Lumens	% Fixture	pf	20%										Average Luminance	
					pc	80%		70%		50%				0°	45°		
					pw	50%	30%	10%	50%	30%	10%	50%	30%	10%	55°	65°	
0°	4,680	0° - 30°	1,026	86%	0	119	119	119	116	116	116	111	111	111	45°	50,951	
5°	4,070	0° - 40°	1,127	94%	1	112	110	108	110	108	106	106	104	103	55°	26,277	
15°	2,133	0° - 60°	1,184	99%	2	106	102	99	104	101	98	101	98	96	65°	18,685	
25°	665	0° - 90°	1,199	100%	3	100	96	93	99	95	92	96	93	91	75°	12,908	
35°	242	90° - 180°	0	0%	4	95	91	87	94	90	87	92	89	86	85°	7,405	
45°	95	0° - 180°	1,199	100%	5	91	86	83	90	86	83	89	85	82			
55°	40				6	87	83	79	87	82	79	85	81	78			
65°	21				7	84	79	76	83	79	75	82	78	75			
75°	9				8	81	76	73	80	76	72	79	75	72			
85°	2				9	78	73	70	77	73	70	77	72	70			
90°	0				10	75	71	68	75	70	67	74	70	67			

EVO2CWW 35/15 AR LSS Input Watts: 21.2, Delivered Lumens: 1274, LPW: 60.1, S/MH: 0.50, Test No: 19-648-03P57



CP Summary		Zonal Lumen Summary			Coefficients of Utilization										Luminance (cd/sq.m)		
0°	90°	Zone	Lumens	% Fixture	pf	20%										Average Luminance	
					pc	80%		70%		50%				0°	45°		
					pw	50%	30%	10%	50%	30%	10%	50%	30%	10%	55°	65°	
0°	4,443	0° - 30°	1,073	84%	0	119	119	119	116	116	116	111	111	111	45°	56,535	
5°	3,937	0° - 40°	1,187	93%	1	112	110	108	110	108	106	106	104	103	55°	28,262	
15°	2,237	0° - 60°	1,255	99%	2	105	102	99	104	100	98	100	98	96	65°	20,392	
25°	672	0° - 90°	1,274	100%	3	100	95	92	98	94	91	96	93	90	75°	15,988	
35°	261	90° - 180°	0	0%	4	95	90	86	94	89	86	92	88	85	85°	10,890	
45°	105	0° - 180°	1,274	100%	5	90	85	82	89	85	81	88	84	81			
55°	43				6	86	81	78	86	81	78	84	80	77			
65°	23				7	83	78	74	82	77	74	81	77	74			
75°	11				8	79	75	71	79	74	71	78	74	71			
85°	3				9	77	72	68	76	71	68	75	71	68			
90°	0				10	74	69	66	73	69	66	73	69	66			

EVO2DWW 35/15 AR LSS Input Watts: 21.2, Delivered Lumens: 1292, LPW: 60.9, S/MH: 0.57, Test No: 19-648-02P57



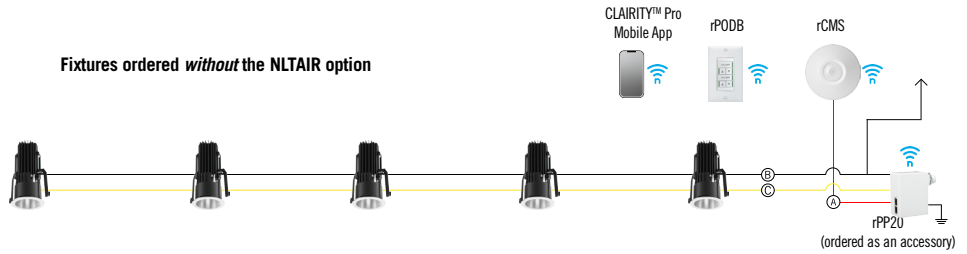
CP Summary		Zonal Lumen Summary			Coefficients of Utilization										Luminance (cd/sq.m)		
0°	90°	Zone	Lumens	% Fixture	pf	20%										Average Luminance	
					pc	80%		70%		50%				0°	45°		
					pw	50%	30%	10%	50%	30%	10%	50%	30%	10%	55°	65°	
0°	3,335	0° - 30°	1,036	80%	0	119	119	119	116	116	116	111	111	111	45°	52,884	
5°	3,184	0° - 40°	1,169	90%	1	111	109	107	109	107	105	105	103	102	55°	28,792	
15°	2,080	0° - 60°	1,264	98%	2	104	101	97	103	99	96	99	97	94	65°	21,290	
25°	666	0° - 90°	1,292	100%	3	98	94	90	97	93	89	94	91	88	75°	15,842	
35°	245	90° - 180°	0	0%	4	93	88	84	92	87	83	90	86	82	85°	10,890	
45°	99	0° - 180°	1,292	100%	5	88	83	79	87	82	79	85	81	78			
55°	44				6	84	78	75	83	78	74	81	77	74			
65°	24				7	80	74	71	79	74	71	78	73	70			
75°	11				8	76	71	67	76	71	67	75	70	67			
85°	3				9	73	68	64	73	68	64	72	67	64			
90°	0				10	70	65	62	70	65	62	69	65	62			

nLIGHT AIR

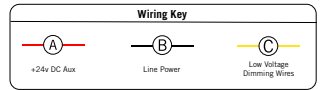
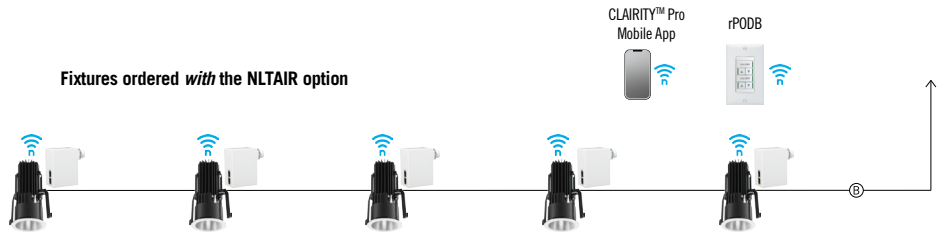
nLight® AIR is the ideal solution for retrofit or new construction spaces where adding communication wiring is cost prohibitive. The integrated nLight AIR rPP20 Power Pack is part of each EVO Luminaire ordered with the NLTAIR option. These individually addressable controls offer the ultimate in flexibility during initial setup and for space repurposing.

Possibilities for nLight® AIR

Fixtures ordered *without* the NLTAIR option



Fixtures ordered *with* the NLTAIR option



nLight® AIR Control Accessories

Order as separate catalog number. Visit [nLight AIR](#).

Wall Switches	Model Number
On/Off single pole	rPODB (color) G2
On/Off two pole	rPODB 2P (color) G2
On/Off & raise/lower single pole	rPODB DX (color) G2
On/Off & raise/lower two pole	rPODB 2P DX (color) G2

nLight® AIR Control Accessories (cont.)

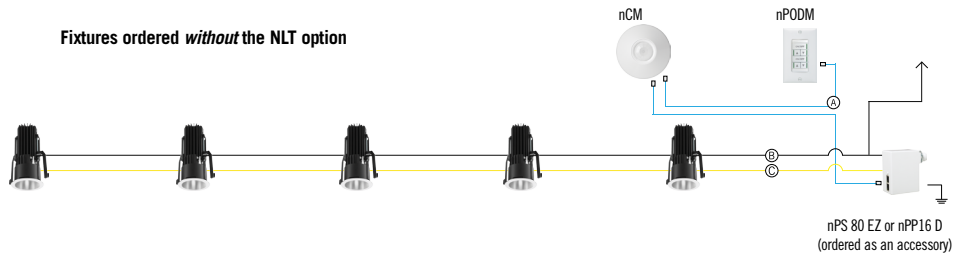
Occupancy Sensors (PIR/dual tech)	Model Number
Small motion 360°, ceiling	rCMS 9 / rCMS PDT 9
Large motion 360°, ceiling	rCMS 10 / rCMS PDT 10

nLIGHT

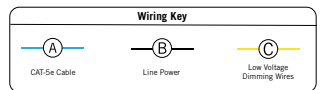
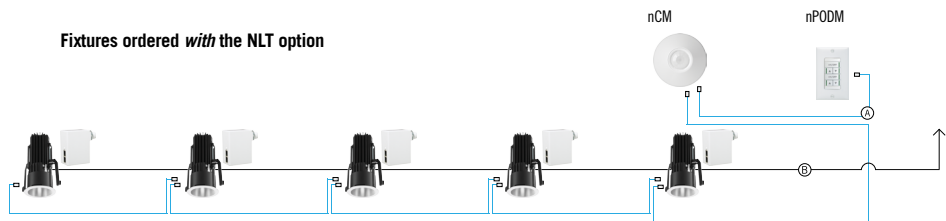
nLight® Wired The nLight® solution is a digital networked lighting control system that provides both energy savings and increased user configurability by cost effectively integrating time-based, daylight-based, sensor-based and manual lighting control schemes.

Possibilities for nLight® wired

Fixtures ordered *without* the NLT option



Fixtures ordered *with* the NLT option



nLight® Wired Control Accessories

Order as separate catalog number. Visit [nLight](#).

Wall Switches	Model Number
On/Off single pole	nPODM (XX)
On/Off two pole	nPODM 2P (XX)
On/Off & raise/lower single pole	nPOD DX (XX)
On/Off & raise/lower two pole	nPODM 2P DX (XX)
Graphic touchscreen	nPOD GFX (XX)

Photocell Controls	Model Number
Dimming	nCM ADCX

nLight® Wired Control Accessories (cont.)

Occupancy Sensors (PIR/dual tech)	Model Number
Small motion 360°, ceiling	nCM 9 / nCM PDT 9
Large motion 360°, ceiling	nCM 10 / nCM PDT 10
Wide View	nWV 16 / nWV PDT 16
Wall switch with raise/lower	nWSX LV DX / nWSX PDT LV DX

Cat-5 Cables (plenum rated)	Model Number
10', CAT5	CAT5 10FT J1
15', CAT5	CAT5 15FT J1