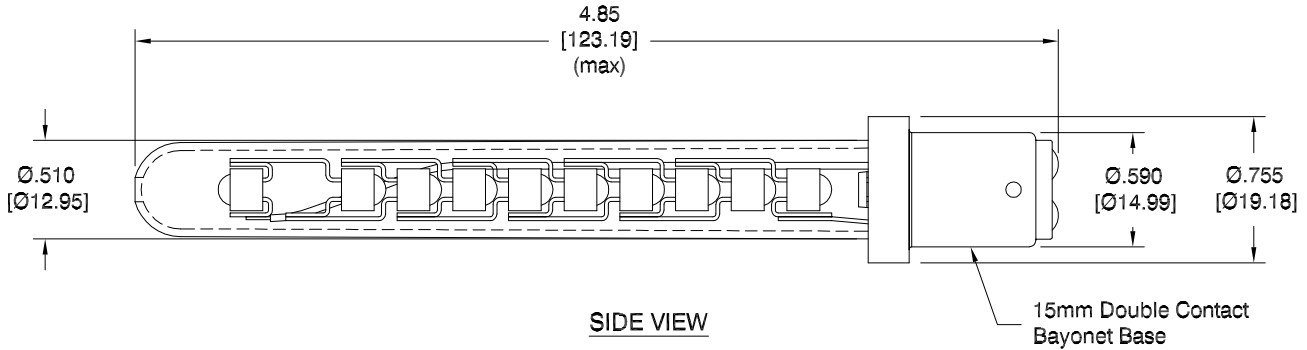


LTR	REVISION	DATE	APPD
-	RELEASED	11-11-19	



**NOTES:**

1. ALL DIMENSIONS ARE IN INCHES [MILLIMETERS].
2. TUBE MATERIAL / COLOR: POLYCARBONATE / WATER CLEAR
3. SLEEVE MATERIAL / COLOR: RYNITE FR530 / WHITE
4. BASE MATERIAL: NICKEL PLATED BRASS

REVISION NOTIFICATION	
<input type="checkbox"/> DLC	
<input type="checkbox"/> UL/ETL	
<input type="checkbox"/> MADE IN USA	
<input type="checkbox"/> CUSTOMER _____	
<input type="checkbox"/> OTHER	
REDLINE CHECKLIST	
<input type="checkbox"/> REDLINE(YES)	
<input type="checkbox"/> DATE: _____	
<input type="checkbox"/> INITIATED BY: _____	
<input type="checkbox"/> ECR REQUIRED YES <input type="checkbox"/> NO <input type="checkbox"/>	
<input type="checkbox"/> WORK ORDER# _____	

**ELECTRICAL-OPTICAL CHARACTERISTICS (Ta = 25°C)**

EXL-TPW-021-R	TRUE WHITE	120Vac	0.019 A	1.12 W	28 lm	25	4800K~5200K	20T6 1/2 DC
<b>LEDTRONICS PART NO.</b>	<b>COLOR EMITTED</b>	<b>INPUT VOLTAGE, V (typ)</b>	<b>CURRENT (A)</b>	<b>POWER (W)</b>	<b>TOTAL LUMENS</b>	<b>EFFICACY (lm/W)</b>	<b>COLOR TEMP. (K)</b>	<b>REPLACES INCANDESCENT</b>

 LEDTRONICS,™ INC. 23105 KASHIWA COURT TORRANCE, CA 90505	<b>-PROPRIETARY-</b> This document contains Proprietary information of LEDTRONICS,™ INC. It may not be copied, used or disclosed for any purpose without the prior express written consent of LEDTRONICS,™ INC.		<b>TITLE</b> <b>EXL-TPW-021-R</b>					
	.XXX ± .010 TOLERANCE PER ANSI-Y14.5 .XX ± .025 (UNLESS OTHERWISE STATED) ANGLES ± 0°,30' FRACT. ± 1/32		DWG NO SDBD1443-CUST	SCALE 1:1	SHEET 1 OF 1	DATE 11-11-19		
	CODE IDENT NO. 8Z410	DWG BY GP 11-11-19	CHK BY	QA SB 11-12-19	MFG LD 11-12-19	R&D UF 11-12-19		