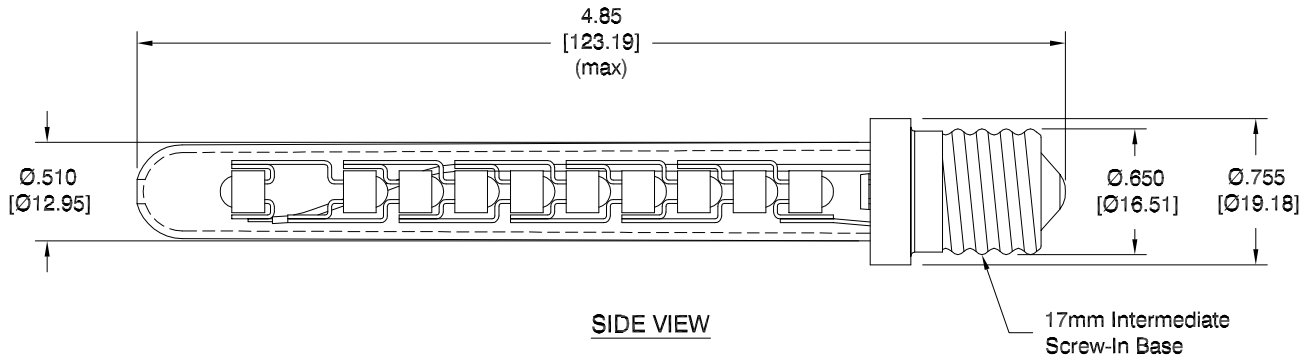


LTR	REVISION	DATE	APPD
-	RELEASED	11-11-19	



NOTES:

1. ALL DIMENSIONS ARE IN INCHES [MILLIMETERS].
2. TUBE MATERIAL / COLOR: POLYCARBONATE / WATER CLEAR
3. SLEEVE MATERIAL / COLOR: RYNITE FR530 / WHITE
4. BASE MATERIAL: NICKEL PLATED BRASS

REVISION NOTIFICATION	
<input type="checkbox"/> DLC	
<input type="checkbox"/> UL/ETL	
<input type="checkbox"/> MADE IN USA	
<input type="checkbox"/> CUSTOMER _____	
<input type="checkbox"/> OTHER	
REDLINE CHECKLIST	
<input type="checkbox"/> REDLINE(YES)	
<input type="checkbox"/> DATE: _____	
<input type="checkbox"/> INITIATED BY: _____	
<input type="checkbox"/> ECR REQUIRED YES <input type="checkbox"/> NO <input type="checkbox"/>	
<input type="checkbox"/> WORK ORDER# _____	

ELECTRICAL-OPTICAL CHARACTERISTICS (Ta = 25°C)

EXL-TPW-031-R	TRUE WHITE	120Vac	0.019 A	1.23 W	32 lm	26	4800K~5200K	20T6 1/2 IF
LEDTRONICS PART NO.	COLOR EMITTED	INPUT VOLTAGE, V (typ)	CURRENT (A)	POWER (W)	TOTAL LUMENS	EFFICACY (lm/W)	COLOR TEMP. (K)	REPLACES INCANDESCENT

 LEDTRONICS,™ INC. 23105 KASHIWA COURT TORRANCE, CA 90505	-PROPRIETARY- This document contains Proprietary information of LEDTRONICS,™ INC. It may not be copied, used or disclosed for any purpose without the prior express written consent of LEDTRONICS,™ INC.		TITLE EXL-TPW-031-R					
	.XXX ± .010 TOLERANCE PER ANSI-Y14.5 .XX ± .025 (UNLESS OTHERWISE STATED) ANGLES ± 0°,30' FRACT. ± 1/32		DWG NO SDBD1444-CUST	SCALE 1:1	SHEET 1 OF 1	DATE 11-11-19		
	CODE IDENT NO. 8Z410	DWG BY GP 11-11-19	CHK BY	QA SB 11-12-19	MFG LD 11-12-19	R&D UF 11-12-19		