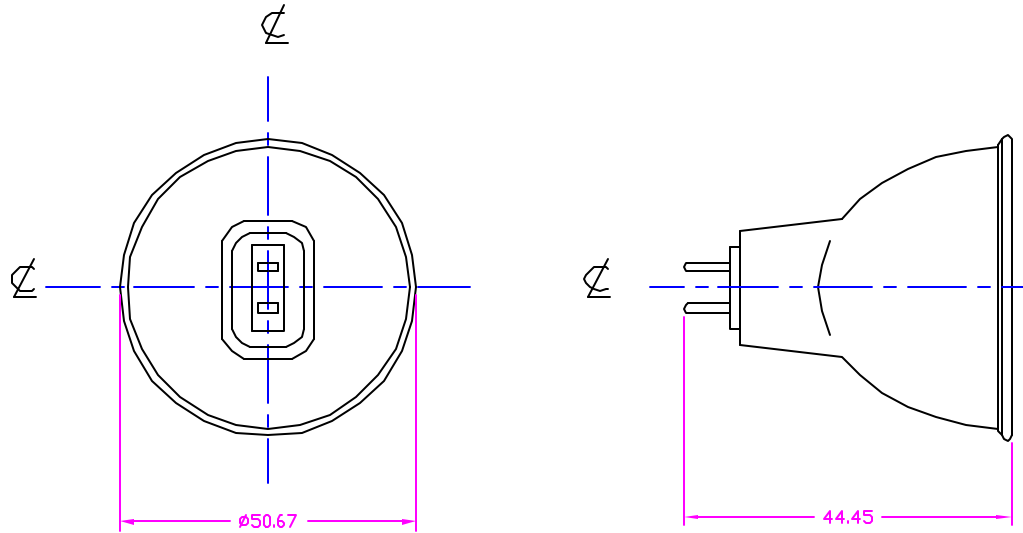


REVISIONS			
REV	DESCRIPTION	DATE	APPROVED



NOTES:

1. ALL DIMENSIONS ARE IN MM UNLESS OTHERWISE SPECIFIED.
2. SEAL TEMP SHOULD BE MAINTAINED BELOW 350°C.
3. THE DIMENSIONS AND SPECIFICATIONS OF PRODUCT LISTED IN THIS SHEET ARE SUBJECT TO CHANGE WITHOUT NOTICE FOR IMPROVEMENT.

CHARACTERISTICS	
WD	38.1 MM
VOLTAGE	82 V
WATTAGE	200 W
COLOR TEMP	3300 K
AVERAGE LIFE	50 HRS
BASE TYPE	GY5.3
REFLECTOR TYPE	Faceted
FILAMENT TYPE	CC-B
BURN POSITION	BD/Hor

ITEM	QTY	DESCRIPTION	CODE IDENT	PART NUMBER	REMARKS
LIST OF MATERIALS					
UNLESS OTHERWISE SPECIFIED DIMENSIONS ARE IN INCHES		CONTRACT NO.		USHIO AMERICA, INC. 10550 Camden Dr. Cypress, CA 90630	
DECIMALS .X ± -		APPROVALS	DATE		
.XX ± -		DRAWN	R.AMPARO	08/27/99	TITLE EYA, JCR82V-200W HALOGEN LAMP
.XXX ± -		CHKD	D.GILCZYNSKI	08/27/99	
ANGLES ± -		ENGR			
DRILLED HOLES PER AND 10387 REMOVE BURRS AND SHARP EDGES ALL DIMENSIONS AFTER PLATING		MFG			
MATERIAL		QUAL		SIZE	CODE IDENT NO.
COMPOSITE		DSGN ACTVY		B	EYA
FINISH		GOV'T ACTVY		SCALE	WGT
				NONE	
					DWG NO.
					1000441
					SHEET
					1 OF 1

4 3 2 1 CAD

D

C

B

A