



EncapSulite®

EncapSulite International

Product Catalog

EncapSulite Overview

Great Reasons to Buy from EncapSulite International

Since 1969, EncapSulite International has been in the safety lighting business. We specialize in the design, development, manufacturing and distribution of safety lighting products for industries worldwide. Our products will deliver the maximum return on your safety lighting investment. Our products are designed for industries as diverse as: Food Processing, Supermarkets, Restaurants, Clothing, Furniture, Retail Stores, Museum, Printing & Publishing, Pharmaceutical, Screen Printing, Hospital & Medical X-Ray, Industrial X-Ray, Trade Show & Exhibition, Semiconductor, Printed Circuit & Wafer Manufacturing, Original Equipment Manufacturers (OEM) and the US Government. We have earned the business and respect of customers worldwide by providing fast accurate service from our manufacturing facilities in the USA, Canada, Germany, England and New Zealand. Distribution is provided through over 2000 factory approved authorized distributors worldwide. EncapSulite is customer friendly. Our e-mail, fax machines and voice mail are always ready to take your orders, comments and suggestions twenty four hours per day seven days per week. Our customer service department is at your service 8 am to 5 pm CST. Visit our website at **www.encapsulite.com**.

EncapSulite's Customer Commitment

EncapSulite is committed to the development, manufacturing, and distribution of the highest quality products. We value our commitment to service before and after the sale and will always strive to do the job right the first time. We will continually listen and understand our customer's needs, and will never be knowingly undersold on any product of equal performance.

Contact



EncapSulite, Rosenberg, TX

US FACTORY & OFFICE

EncapSulite International Inc.
1220 Bamore Road
Rosenberg, Texas 77471
P (281) 239-0225
F (281) 239-0980
TF (877) 227-8756
E info@encapsulite.com
W www.encapsulite.com

UK FACTORY & OFFICE

EncapSulite International, Limited
Unit 17, Chartwell Business Park
Chartmoor Road, Leighton Buzzard
Bedfordshire, LU7 4WG
P 0114 1525 376974
F 0114 1525 850306
E reply@encapsulite.co.uk
W www.encapsulite.co.uk

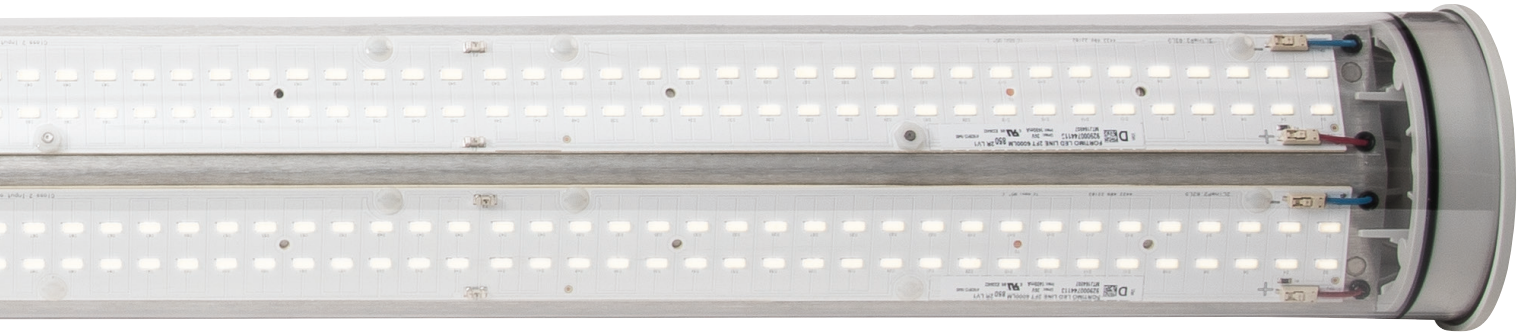


Table of Contents

WaterGuard® LED HO Watertight LED High-Output Lighting	2 - 4
WaterGuard® LED Watertight LED Lighting	6 - 8
WaterGuard® Double T5 Watertight Fluorescent Lighting	10 - 12
WaterGuard® Single T8 - Watertight Fluorescent Lighting	14 - 16
WaterGuard® Single T5 - Watertight Fluorescent Lighting	18 - 20
UltraGuard® Shatter Resistant Lighting	22 - 35
ProGuard® Shatter Resistant Lighting	36 - 48
Safety Coated Fluorescent Lamps Certifications	50 - 51
ShardGuard® Shatter Resistant Lighting	52 - 55
Shatterproof Gold Semiconductor Fluorescent Lamps	56
Terms and Conditions of Sale	57

WaterGuard® LED HO

WATERTIGHT LED HIGH-OUTPUT LIGHTING



EncapSulite **WaterGuard LED HO** wash-down fixtures are ideal for a wide variety of applications including inspection lighting, food processing, dairies, poultry plants, meat processing, seacoast areas, car washes and parking garages. **WaterGuard** fixtures hold up to 1200psi high pressure wash-down while not collecting debris or water. Each fixture is equipped with stainless steel mounting hardware and power cord for easy installation. Teflon™ protection available for extreme conditions. All **WaterGuard** fixtures are UL, UL-EPH, and NSF certified for food safety.



FEATURES

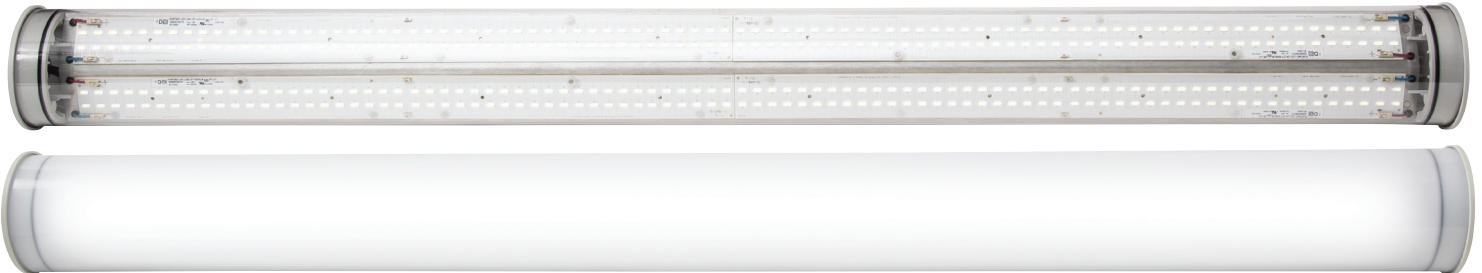
- Tubular Design – Low Maintenance
- 50,000hr Long-life LED's
- 5000K (other Kelvin temps available)
- Multi-Voltage 120-277V 50/60Hz
- Limited 3 Year Warranty
- IP67, 1200PSI Wash-Down
- UL1598, UL8750, NSF, FDA, USDA

APPLICATIONS

- Inspection Lighting
- Food Processing
- Dairies
- Grocery Stores
- Poultry Plants
- Meat Processing
- Car Washes

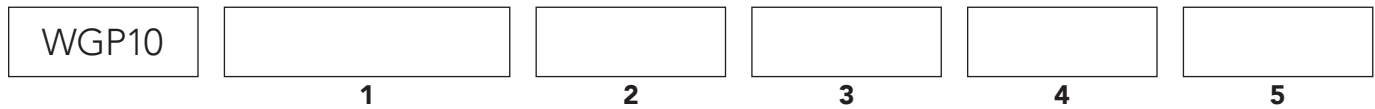
WARRANTY: EncapSulite WaterGuard LED HO watertight fixtures are guaranteed for 3 years.

DATE	PART #	TYPE	PROJECT
------	--------	------	---------



ORDERING INFORMATION

EXAMPLE: WGP104LEDHO64W50KCLSMB



ORDERING LEGEND

1. LENGTH

- 2LEDHO32W: 2 foot (32 watts)
- 4LEDHO64W: 4 foot (64 watts)
- 8LEDHO128W: 8 foot (128 watts)

2. KELVIN

- 40K: 4000 Kelvin Temperature
- 50K: 5000 Kelvin Temperature

3. FINISH

- CL: Clear
- DW: Diffused White
- RF: Red Filter
- BF: Blue Filter
- AF: Amber Filter

4. MOUNTING

- SS: Stainless Steel Hanging Straps
- SMB: Stainless Steel Brackets

5. OPTIONS

- FEP: FEP Protection for Tube
- 3P: 3P Male Receptacle
- 3P6W: 3P Receptacle with 6ft Yellow Whip
- EP: Emergency Power
- Available Only for 4ft and 8ft Models.*

Fixtures are equipped with a SJTOW 18AWG 8ft power cord with plug.

PART NUMBER	LENGTH (IN)	DIAMETER (IN)	WATTAGE	CRI	KELVIN	FINISH	VOLTAGE	MIN TEMP	MAX TEMP	LUMENS
WGP102LEDHO32W40KCL	24	4	32	> 80	4000	Clear	120-277	-40°F	100°F	4000
WGP102LEDHO32W40KDW	24	4	32	> 80	4000	White	120-277	-40°F	100°F	3700
WGP102LEDHO32W50KCL	24	4	32	> 80	5000	Clear	120-277	-40°F	100°F	4000
WGP102LEDHO32W50KDW	24	4	32	> 80	5000	White	120-277	-40°F	100°F	3700
WGP104LEDHO64W40KCL	48	4	64	> 80	4000	Clear	120-277	-40°F	100°F	8000
WGP104LEDHO64W40KDW	48	4	64	> 80	4000	White	120-277	-40°F	100°F	7000
WGP104LEDHO64W50KCL	48	4	64	> 80	5000	Clear	120-277	-40°F	100°F	8000
WGP104LEDHO64W50KDW	48	4	64	> 80	5000	White	120-277	-40°F	100°F	7000
WGP108LEDHO128W40KCL	96	4	128	> 80	4000	Clear	120-277	-40°F	100°F	16000
WGP108LEDHO128W40KDW	96	4	128	> 80	4000	White	120-277	-40°F	100°F	13500
WGP108LEDHO128W50KCL	96	4	128	> 80	5000	Clear	120-277	-40°F	100°F	16000
WGP108LEDHO128W50KDW	96	4	128	> 80	5000	White	120-277	-40°F	100°F	13500

WaterGuard® LED HO

REPLACEMENT PARTS

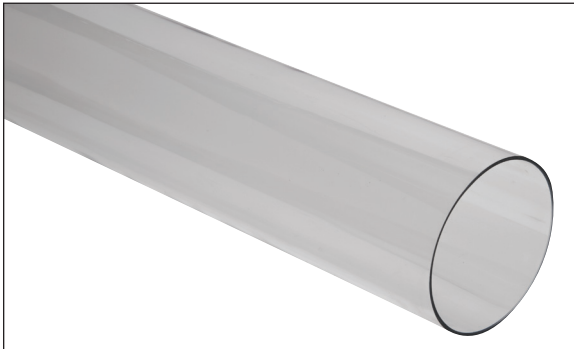
TUBE

Replacement Tube Enclosure

PWG052: 2ft Replacement Tube

PWG053: 4ft Replacement Tube

PWG054: 8ft Replacement Tube



END CAPS

Includes Stainless Steel Hardware

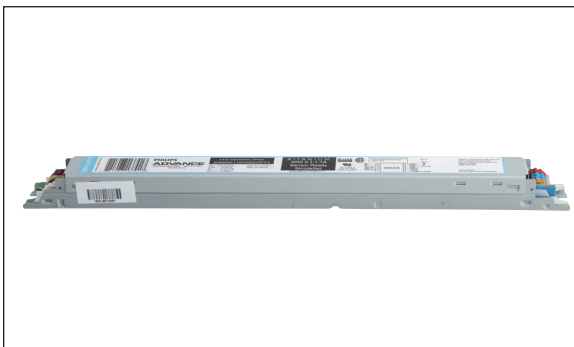
PWG030: (2) End Caps with Hardware



DRIVER

Replacement LED Driver

PWG026: Replacement LED Driver



MOUNTING OPTIONS

Stainless Steel Mounting Bracket

PWGBSMB100: SS Bracket



Stainless Steel Hanging Strap

PWGBS100: SS Hanging Strap



WaterGuard® LED

WATERTIGHT LED LIGHTING



EncapSulite **WaterGuard LED** wash-down fixtures are ideal for a wide variety of applications including food processing, dairies, poultry plants, meat processing, grocery stores, seacoast areas, car washes and parking garages.

WaterGuard fixtures hold up to 1200psi high pressure wash-down while not collecting debris or water. Each fixture is equipped with plastic mounting brackets and power cord ready for easy installation. Teflon™ protection available for extreme conditions. All **WaterGuard** fixtures are UL, UL-EPH, and NSF certified for food safety.



FEATURES

- Tubular Design – Low Maintenance
- 50,000hr Long-Life LEDs
- 5000K (Other Kelvin Temps Available)
- Multi-Voltage 120-277V 50/60Hz
- Limited 3-Year Warranty
- IP67, 1200PSI Wash-Down
- UL1598, UL8750, NSF, FDA, USDA

APPLICATIONS

- Food Processing
- Poultry plants
- Dairies
- Grocery stores
- Poultry Plants
- Meat Processing
- Car Washes

WARRANTY: EncapSulite WaterGuard LED watertight fixtures are guaranteed for 3 years.

DATE**PART #****TYPE****PROJECT**

ORDERING INFORMATION

EXAMPLE: WGP74LED25W50KCLPMB

WGP7					
	1	2	3	4	5

ORDERING LEGEND

1. LENGTH

2LED13W: 2 foot (13 watts)
 2LED18W: 2 foot (18 watts)
 4LED25W: 4 foot (25 watts)
 4LED36W: 4 foot (36 watts)
 8LED50W: 8 foot (50 watts)
 8LED72W: 8 foot (72 watts)

2. KELVIN

40K: 4000 Kelvin Temperature
 50K: 5000 Kelvin Temperature

3. FINISH

CL: Clear
 RF: Red Filter
 BF: Blue Filter
 AF: Amber Filter

4. MOUNTING

PMB: Plastic Brackets
 SS: Stainless Steel Hanging Straps
 SMB: Stainless Steel Brackets

5. OPTIONS

FEP: FEP Protection for Tube
 3P: 3P Male Receptacle
 3P6W: 3P Receptacle / 6ft Yellow Whip
 EP: Emergency Power
Available Only for 4ft and 8ft Models.

Fixtures are equipped with a SJTOW 18AWG 8ft power cord with plug.

PART NUMBER	LENGTH (IN)	DIAMETER (IN)	WATTAGE	CRI	KELVIN	VOLTAGE	MIN TEMP	MAX TEMP	LUMENS
WGP72LED13W40K	24	2.75	13	> 80	4000	120-277	-40°F	110°F	1500
WGP72LED18W40K	24	2.75	18	> 80	4000	120-277	-40°F	110°F	2100
WGP72LED13W50K	24	2.75	13	> 80	5000	120-277	-40°F	110°F	1500
WGP72LED18W50K	24	2.75	18	> 80	5000	120-277	-40°F	110°F	2100
WGP74LED25W40K	48	2.75	25	> 80	4000	120-277	-40°F	110°F	2700
WGP74LED36W40K	48	2.75	36	> 80	4000	120-277	-40°F	110°F	4300
WGP74LED25W50K	48	2.75	25	> 80	5000	120-277	-40°F	110°F	2700
WGP74LED36W50K	48	2.75	36	> 80	5000	120-277	-40°F	110°F	4300
WGP78LED50W40K	96	2.75	50	> 80	4000	120-277	-40°F	110°F	5400
WGP78LED72W40K	96	2.75	72	> 80	4000	120-277	-40°F	110°F	8700
WGP78LED50W50K	96	2.75	50	> 80	5000	120-277	-40°F	110°F	5400
WGP78LED72W50K	96	2.75	72	> 80	5000	120-277	-40°F	110°F	8700

WaterGuard® LED

REPLACEMENT PARTS

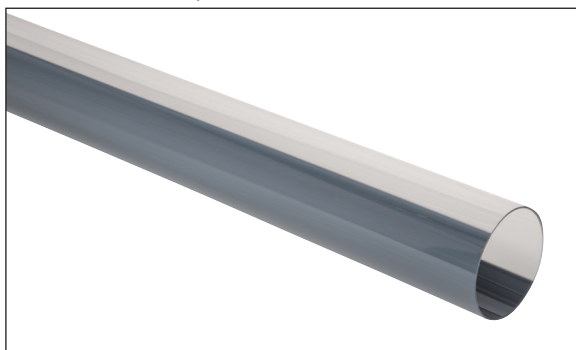
TUBE

Replacement Tube Enclosure

PWG051: 2ft Replacement Tube

PWG050: 4ft Replacement Tube

PWG009: 8ft Replacement Tube



END CAPS

Includes Stainless Steel Hardware

PWG033: (2) End Caps with Hardware



DRIVER

Replacement LED Driver

PWG023: Replacement LED Driver



MOUNTING OPTIONS

Plastic Mounting Bracket

PWGB70: Clear Plastic Bracket



Stainless Steel Mounting Bracket

PWGBSMB70: SS Bracket



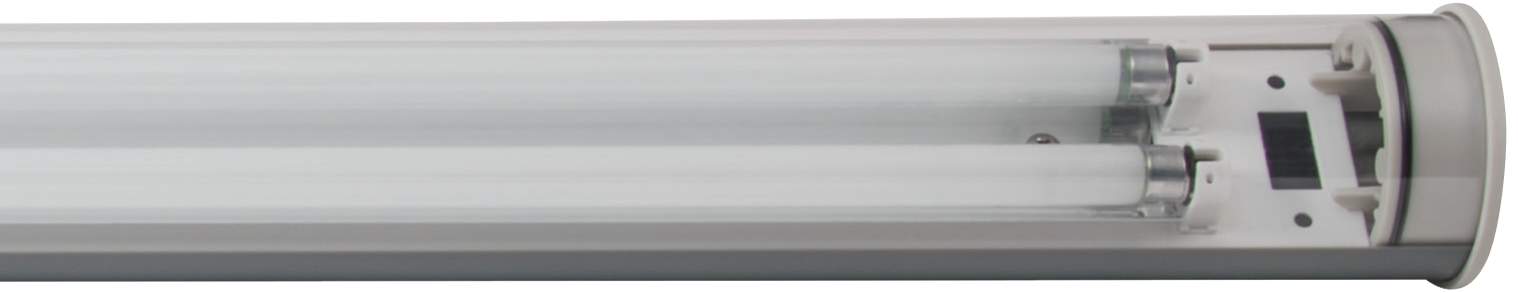
Stainless Steel Hanging Strap

PWGBSS70: SS Hanging Strap



WaterGuard® Double T5

WATERTIGHT FLUORESCENT LIGHTING



EncapSulite **WaterGuard Double T5** wash-down fixtures are ideal for a wide variety of applications including food processing, dairies, poultry plants, meat processing, grocery stores, seacoast areas, car washes and parking garages. **WaterGuard** fixtures hold up to 1200psi high pressure wash-down while not debris or water. Each fixture is equipped with plastic mounting brackets and power cord ready for easy installation. Teflon™ protection available for extreme conditions. All WaterGuard fixtures are UL, UL-EPH, and NSF certified for food safety.



FEATURES

- Tubular Design – Low Maintenance
- 4100K (Other Kelvin Temps Available)
- Multi-Voltage 120-277V 50/60Hz
- Limited 1 Year Warranty
- IP67, 1200PSI Wash-Down
- UL1598, NSF, FDA, USDA

APPLICATIONS

- Food Processing
- Poultry Plants
- Dairies
- Grocery Stores
- Poultry Plants
- Meat Processing

WARRANTY: EncapSulite WaterGuard Double T5 watertight fixtures are guaranteed for 1 year.

DATE

PART #

TYPE

PROJECT



ORDERING INFORMATION

EXAMPLE: WGP72440KPMB

WGP7				
	1	2	3	4

ORDERING LEGEND

1. LENGTH

- 22: 2 foot
- 23: 3 foot
- 24: 4 foot
- 25: 5 foot
- 48: 8 foot

2. KELVIN

- 40K: 4000 Kelvin Temperature
- 50K: 5000 Kelvin Temperature

3. MOUNTING

- PMB: Plastic Brackets
- SS: Stainless Steel Hanging Straps
- SMB: Stainless Steel Brackets

4. OPTIONS

- FEP: FEP Protection for Tube
- 3P: 3P Male Receptacle
- 3P6W: 3P Receptacle / 6ft Yellow Whip

Fixtures are equipped with a SJTOW 18AWG 8ft power cord with plug.

PART NUMBER	LENGTH (IN)	DIAMETER (IN)	WATTAGE	CRI	KELVIN	VOLTAGE	MIN TEMP	MAX TEMP	LUMENS
WGP72240K	24	2.75	28	85	4100	120-277	-20°F	150°F	1400
WGP72250K	24	2.75	28	85	5000	120-277	-20°F	150°F	1400
WGP72340K	36	2.75	42	85	4100	120-277	-20°F	150°F	2300
WGP72350K	36	2.75	42	85	5000	120-277	-20°F	150°F	2300
WGP72440K	48	2.75	56	85	4100	120-277	-20°F	150°F	3300
WGP72450K	48	2.75	56	85	5000	120-277	-20°F	150°F	3300
WGP72540K	60	2.75	70	85	4100	120-277	-20°F	150°F	4100
WGP72550K	60	2.75	70	85	5000	120-277	-20°F	150°F	4100
WGP74840K	96	2.75	112	85	4100	120-277	-20°F	150°F	6700
WGP74850K	96	2.75	112	85	5000	120-277	-20°F	150°F	6700

WaterGuard® Double T5

REPLACEMENT PARTS

TUBE

Replacement Tube Enclosure

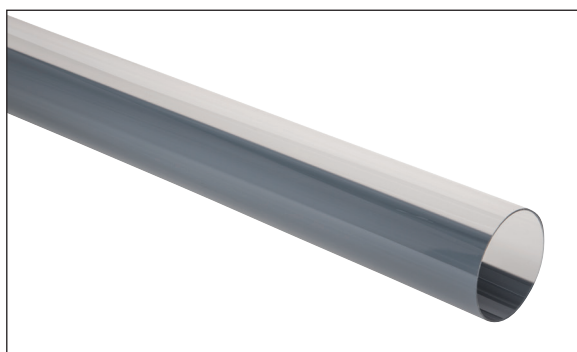
PWG001: 2ft Replacement Tube

PWG002: 3ft Replacement Tube

PWG003: 4ft Replacement Tube

PWG004: 5ft Replacement Tube

PWG009: 8ft Replacement Tube



END CAPS

Includes Stainless Steel Hardware

PWG033: (2) End Caps with Hardware



BALLAST

Replacement T5 Ballast

PWG017: Replacement Ballast



MOUNTING OPTIONS

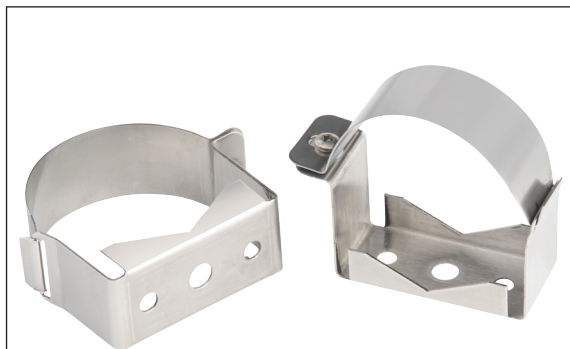
Plastic Mounting Bracket

PWGB70: Clear Plastic Bracket



Stainless Steel Mounting Bracket

PWGBSMB70: SS Bracket



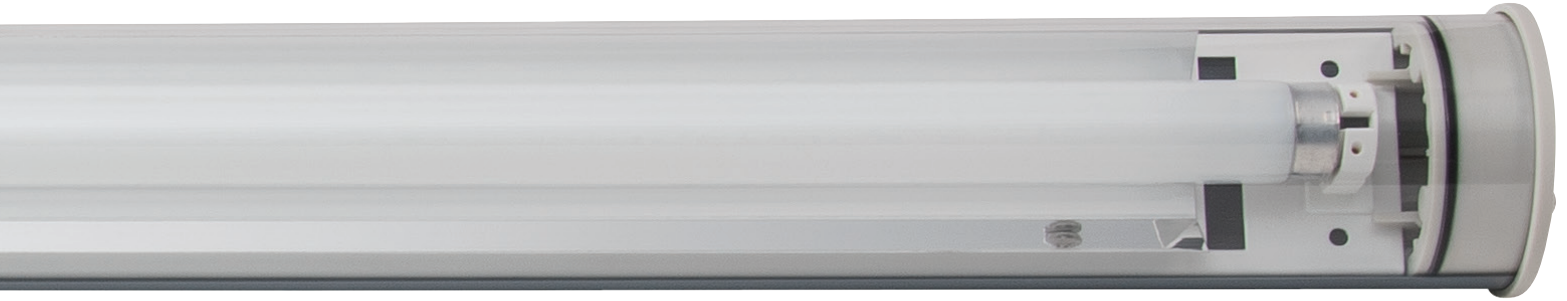
Stainless Steel Hanging Strap

PWGBSS70: SS Hanging Strap



WaterGuard® Single T8

WATERTIGHT FLUORESCENT LIGHTING



EncapSulite **WaterGuard Single T8** wash-down fixtures are ideal for a wide variety of applications including food processing, dairies, poultry plants, meat processing, grocery stores, seacoast areas, car washes and parking garages. **WaterGuard** fixtures hold up to 1200psi high pressure wash-down while not collecting debris or water. Each fixture is equipped with plastic mounting brackets and power cord ready for easy installation. Teflon™ protection available for extreme conditions. All WaterGuard fixtures are UL, UL-EPH, and NSF certified for food safety.



FEATURES

- Tubular Design – Low Maintenance
- 4100K (Other Kelvin Temps Available)
- Multi-Voltage 120-277V 50/60Hz
- Limited 1 Year Warranty
- IP67, 1200PSI Wash-Down
- UL1598, NSF, FDA, USDA

APPLICATIONS

- Food Processing
- Poultry Plants
- Dairies
- Grocery Stores
- Poultry Plants
- Meat Processing

WARRANTY: EncapSulite WaterGuard Single T8 watertight fixtures are guaranteed for 1 year.

DATE

PART #

TYPE

PROJECT



ORDERING INFORMATION

EXAMPLE: WGP71440KPMB

WGP7				
	1	2	3	4

ORDERING LEGEND

1. LENGTH

- 12: 2 foot
- 13: 3 foot
- 14: 4 foot
- 15: 5 foot

2. KELVIN

- 40K: 4100 Kelvin Temperature
- 50K: 5000 Kelvin Temperature
- 5000K Not Available for 5ft Model.

3. MOUNTING

- PMB: Plastic Brackets
- SS: Stainless Steel Hanging Straps
- SMB: Stainless Steel Brackets

4. OPTIONS

- FEP: FEP Protection for Tube
- 3P: 3P Male Receptacle
- 3P6W: 3P Receptacle / 6ft Yellow Whip

Fixtures are equipped with a SJTOW 18AWG 8ft power cord with plug.

PART NUMBER	LENGTH (IN)	DIAMETER (IN)	WATTAGE	CRI	KELVIN	VOLTAGE	MIN TEMP	MAX TEMP	LUMENS
WGP71240K	24	2.75	17	85	4100	120-277	-20°F	150°F	1100
WGP71250K	24	2.75	17	85	5000	120-277	-20°F	150°F	1100
WGP71340K	36	2.75	25	85	4100	120-277	-20°F	150°F	1700
WGP71350K	36	2.75	25	85	5000	120-277	-20°F	150°F	1700
WGP71440K	48	2.75	32	85	4100	120-277	-20°F	150°F	2500
WGP71450K	48	2.75	32	85	5000	120-277	-20°F	150°F	2500
WGP71540K	60	2.75	40	85	4100	120-277	-20°F	150°F	3000

WaterGuard® Single T8

REPLACEMENT PARTS

TUBE

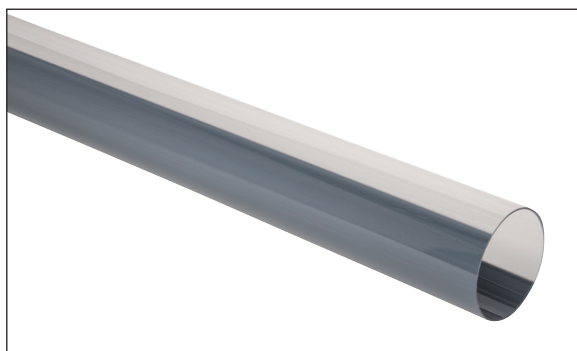
Replacement Tube Enclosure

PWG001: 2ft Replacement Tube

PWG002: 3ft Replacement Tube

PWG003: 4ft Replacement Tube

PWG004: 5ft Replacement Tube



END CAPS

Includes Stainless Steel Hardware

PWG033: (2) End Caps with Hardware



BALLAST

Replacement T8 Ballast

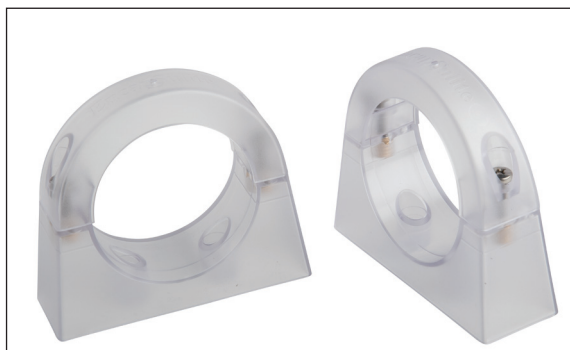
PWG016: Replacement Ballast



MOUNTING OPTIONS

Plastic Mounting Bracket

PWGB70: Clear Plastic Bracket



Stainless Steel Mounting Bracket

PWGBSMB70: SS Bracket



Stainless Steel Hanging Strap

PWGBSS70: SS Hanging Strap



WaterGuard® Single T5

WATERTIGHT FLUORESCENT LIGHTING



EncapSulite **WaterGuard Single T5** wash-down fixtures are ideal for a wide variety of applications including food processing, dairies, poultry plants, meat processing, grocery stores, seacoast areas, car washes and parking garages. **WaterGuard** fixtures hold up to 1200psi high pressure wash-down while not collecting debris or water. Each fixture is equipped with plastic mounting brackets and power cord ready for easy installation. All WaterGuard fixtures are UL, UL-EPH, and NSF certified for food safety.



FEATURES

- Tubular Design – Low Maintenance
- 4100K (Other Kelvin Temps Available)
- Multi-Voltage 120-277V 50/60Hz
- Limited 1 Year Warranty
- IP67, 1200PSI Wash-Down
- UL1598, NSF, FDA, USDA

APPLICATIONS

- Food Processing
- Poultry Plants
- Dairies
- Grocery Stores
- Poultry Plants
- Meat Processing

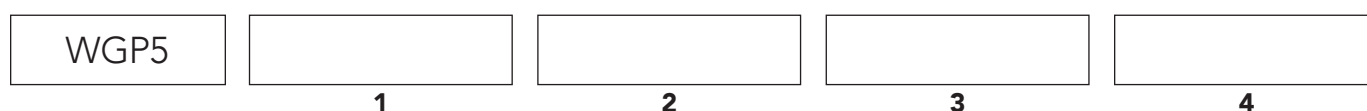
WARRANTY: EncapSulite WaterGuard Single T5 watertight fixtures are guaranteed for 1 year.

DATE	PART #	TYPE	PROJECT
------	--------	------	---------



ORDERING INFORMATION

EXAMPLE: WGP51440KPMB



ORDERING LEGEND

1. LENGTH

- 11: 1 foot
- 12: 2 foot
- 13: 3 foot
- 14: 4 foot
- 15: 5 foot

2. KELVIN

- 40K: 4100 Kelvin Temperature
- 50K: 5000 Kelvin Temperature

3. MOUNTING

- PMB: Plastic Brackets
- SS: Stainless Steel Hanging Straps

4. OPTIONS

- 3P: 3P Male Receptacle
- 3P6W: 3P Receptacle / 6ft Yellow Whip

Fixtures are equipped with a SJTOW 18AWG 8ft power cord with plug.

PART NUMBER	LENGTH (IN)	DIAMETER (IN)	WATTAGE	CRI	KELVIN	VOLTAGE	MIN TEMP	MAX TEMP	LUMENS
WGP51140K	12	2	8	60	4100	120	-20°F	150°F	345
WGP51150K	12	2	8	60	5000	120	-20°F	150°F	345
WGP51240K	24	2	14	85	4100	120-277	-20°F	150°F	875
WGP51250K	24	2	14	85	5000	120-277	-20°F	150°F	875
WGP51340K	36	2	21	85	4100	120-277	-20°F	150°F	1435
WGP51350K	36	2	21	85	5000	120-277	-20°F	150°F	1435
WGP51440K	48	2	28	85	4100	120-277	-20°F	150°F	2045
WGP51450K	48	2	28	85	5000	120-277	-20°F	150°F	2045
WGP51540K	60	2	35	85	4100	120-277	-20°F	150°F	2680
WGP51550K	60	2	35	85	5000	120-277	-20°F	150°F	2680

WaterGuard® Single T5

REPLACEMENT PARTS

TUBE

Replacement Tube Enclosure

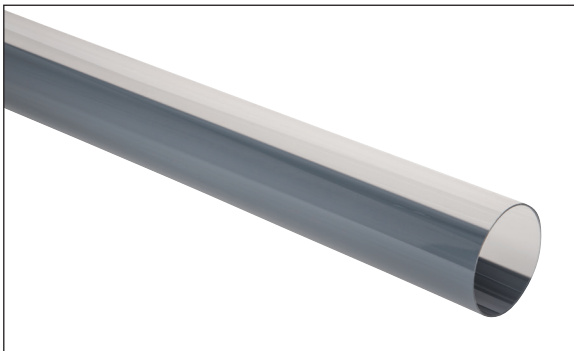
PWG011: 1ft Replacement Tube

PWG012: 2ft Replacement Tube

PWG013: 3ft Replacement Tube

PWG014: 4ft Replacement Tube

PWG015: 5ft Replacement Tube



BALLAST

Replacement T5 Ballast

PWG018: Replacement Ballast (WGP511)

PWG019: Replacement Ballast

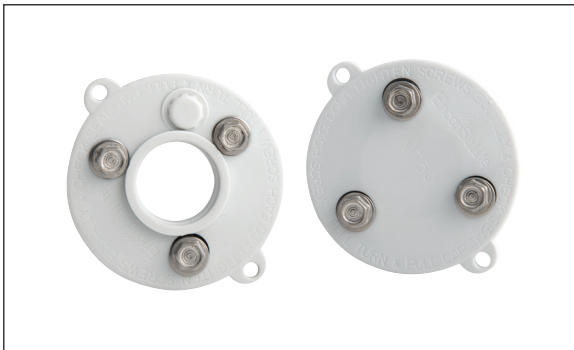
(WGP512, WGP513, WGP514 & WGP515)



END CAPS

Includes Stainless Steel Hardware

PWG034: (2) End Caps with Hardware



MOUNTING OPTIONS

Plastic Mounting Bracket

PWGB50: Clear Plastic Bracket



Stainless Steel Hanging Strap

PWGBSS50: SS Hanging Strap



UltraGuard®

SHATTER RESISTANT LIGHTING



EncapSulite shatter resistant lamps deliver superior protection against accidental lamp breakage. **UltraGuard** Teflon™ shatter resistant lamps are suitable for incidental food contact in federally inspected food, meat and poultry plants. **UltraGuard** is the only coating that can resist powerful UV emissions, high heat of T5HO lamps, long life T8 lamps, and caustic cleaners while not yellowing and breaking apart. A perfect solution for long-life LED T8s, fluorescent lamps, Germicidal and Black Light lamps. EncapSulite shatter resistant coatings are UL recognized for safety and UL-EPH certified for environmental and public health.



FEATURES

- Contains Glass in Case of Breakage
- Designed for Long-life Lamps
- Designed for Open or Closed Fixtures
- UL Recognized for Safety
- UL-EPH Certified / NSF Rated
- For Use in Ambient Temps < 400°F
- Transmits UV Emissions

APPLICATIONS

- Food Processing
- Bakeries
- Dairies
- Grocery Stores
- Poultry Plants
- Bug Zappers
- HVAC - Germicidal

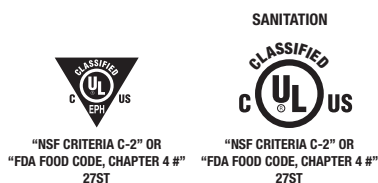
WARRANTY: EncapSulite International's UltraGuard Teflon™ shatter resistant coating is guaranteed for the published rated life of the lamp as listed on the lamp manufacturers website or lamp catalog.

COATING ONLY PRICING AVAILABLE FOR CUSTOMER SUPPLIED LAMPS UPON REQUEST.

Sylvania T5 UltraGuard FEP

PRODUCT CODE	ORDERING ABBREVIATION	LAMP LENGTH	PKG. QTY.	WATTS	TYPE	PIN	AVG RATED LIFE	CCT (K)	CRI	APPROX LUMENS
SYLVANIA T5 ULTRAGUARD FEP										
Sylvania - PREHEAT-Minature (Starter Req)										
S21364T	F4T5/CW	6	25	4	T5	Mini Bipin	6000	4200	60	115
S21365T	F6T5/CW	9	25	6	T5	Mini Bipin	7500	4200	60	235
S21367T	F8T5/WW	12	25	8	T5	Mini Bipin	7500	3000	52	350
S21366T	F8T5/CW	12	25	8	T5	Mini Bipin	7500	4100	60	350
S21368T	F13T5/CW	21	25	13	T5	Mini Bipin	7500	4200	60	750
Sylvania - 24" 14 Watt PENTRON High Performance										
S20907T	FP14/830/ECO	24	40	14	T5	Mini Bipin	22000	3000	85	1255
S20908T	FP14/835/ECO	24	40	14	T5	Mini Bipin	22000	3500	85	1255
S20914T	FP14/841/ECO	24	40	14	T5	Mini Bipin	22000	4100	85	1255
S20988T	FP14/865/ECO	24	40	14	T5	Mini Bipin	22000	6500	85	1235
Sylvania - 36" 21 Watt PENTRON High Performance										
S20919T	FP21/830/ECO	36	40	21	T5	Mini Bipin	22000	3000	85	1955
S20921T	FP21/835/ECO	36	40	21	T5	Mini Bipin	22000	3500	85	1955
S20924T	FP21/841/ECO	36	40	21	T5	Mini Bipin	22000	4100	85	1955
Sylvania - 48" 28 Watt PENTRON High Performance										
S20868T	FP28/830/ECO	48	40	28	T5	Mini Bipin	36000	3000	85	2695
S20901T	FP28/835/ECO	48	40	28	T5	Mini Bipin	36000	3500	85	2695
S20902T	FP28/841/ECO	48	40	28	T5	Mini Bipin	36000	4100	85	2640
S22203T	FP28/850/ECO	48	40	28	T5	Mini Bipin	36000	5000	85	2560
S20990T	FP28/865/ECO	48	40	28	T5	Mini Bipin	36000	6500	85	2558
Sylvania - 60" 35 Watt PENTRON High Performance										
S20925T	FP35/830/ECO	60	40	35	T5	Mini Bipin	22000	3000	85	3395
S20926T	FP35/835/ECO	60	40	35	T5	Mini Bipin	22000	3500	85	3395
S20927T	FP35/841/ECO	60	40	35	T5	Mini Bipin	22000	4100	85	3395
SYLVANIA T5HO ULTRAGUARD FEP										
Sylvania - 24" 24 Watt PENTRON High Performance HO										
S20928T	FP24/830/HO/ECO	24	40	24	T5	Mini Bipin	36000	3000	85	1860
S20929T	FP24/835/HO/ECO	24	40	24	T5	Mini Bipin	36000	3500	85	1860
S20931T	FP24/841/HO/ECO	24	40	24	T5	Mini Bipin	36000	4100	85	1860
Sylvania - 36" 39 Watt PENTRON High Performance HO										
S20932T	FP39/830/HO/ECO	36	40	39	T5	Mini Bipin	36000	3000	85	3255
S20933T	FP39/835/HO/ECO	36	40	39	T5	Mini Bipin	36000	3500	85	3255
S20934T	FP39/841/HO/ECO	36	40	39	T5	Mini Bipin	36000	4100	85	3255

CONTINUED...



EncapSulite® International Inc. takes great pride in being the ONLY safety coater in the United States able to provide a coating that is both UL Recognized for Safety and UL-EPH Certified for Food Applications. The UL-EPH certification and the UL Recognized component recognition for the coating insure that we are in compliance with all FDA, USDA and OSHA requirements.

COATING ONLY PRICING AVAILABLE FOR CUSTOMER SUPPLIED LAMPS UPON REQUEST.

Sylvania T5 UltraGuard FEP (continued)

PRODUCT CODE	ORDERING ABBREVIATION	LAMP LENGTH	PKG. QTY.	WATTS	TYPE	PIN	AVG RATED LIFE	CCT (K)	CRI	APPROX LUMENS
SYLVANIA T5HO ULTRAGUARD FEP (continued)										
Sylvania - 48" 47 Watt PENTRON High Performance HO SS										
S20447T	FP54/47W/841/HO/SS/ECO	48	40	47	T5	Mini Bipin	40000	4100	85	4050
S20448T	FP54/47W/850/HO/SS/ECO	48	40	47	T5	Mini Bipin	40000	5000	85	3950
Sylvania - 48" 50 Watt PENTRON High Performance HO SS										
S21070T	FP54/50W/830/HO/SS/ECO	48	40	50	T5	Mini Bipin	40000	3000	85	4650
S21071T	FP54/50W/835/HO/SS/ECO	48	40	50	T5	Mini Bipin	40000	3500	85	4650
S20964T	FP54/50W/841/HO/SS/ECO	48	40	50	T5	Mini Bipin	40000	4100	85	4464
S21072T	FP54/50W/850/HO/SS/ECO	48	40	50	T5	Mini Bipin	40000	5000	85	4255
Sylvania - 48" 54 Watt PENTRON High Performance HO XL										
S20197T	FP54/835/HO/XL/ECO	48	40	54	T5	Mini Bipin	60000	3500	85	4650
S20198T	FP54/841/HO/XL/ECO	48	40	54	T5	Mini Bipin	60000	4100	85	4560
S20199T	FP54/850/HO/XL/ECO	48	40	54	T5	Mini Bipin	60000	5000	85	4650
Sylvania - 48" 54 Watt PENTRON High Performance HO										
S20903T	FP54/830/HO/ECO	48	40	54	T5	Mini Bipin	40000	3000	85	4650
S20904T	FP54/835/HO/ECO	48	40	54	T5	Mini Bipin	40000	3500	85	4650
S20906T	FP54/841/HO/ECO	48	40	54	T5	Mini Bipin	40000	4100	85	4650
S20949T	FP54/850/HO/ECO	48	40	54	T5	Mini Bipin	40000	5000	85	4420
S20862T	FP54/865/HO/ECO	48	40	54	T5	Mini Bipin	40000	6500	85	4418
Sylvania - 60" 80 Watt PENTRON High Performance HO										
S20935T	FP80/830/HO/ECO	60	40	80	T5	Mini Bipin	30000	3000	85	6510
S20936T	FP80/835/HO/ECO	60	40	80	T5	Mini Bipin	30000	3500	85	6510
S20937T	FP80/841/HO/ECO	60	40	80	T5	Mini Bipin	30000	4100	85	6510

Sylvania T8 UltraGuard FEP

PRODUCT CODE	ORDERING ABBREVIATION	LAMP LENGTH	PKG. QTY.	WATTS	TYPE	PIN	AVG RATED LIFE	CCT (K)	CRI	APPROX LUMENS
SYLVANIA T8 ULTRAGUARD FEP 12"- 36"										
Sylvania - PREHEAT LAMPS STANDARD (Starter Req)										
S21766T	F13T8/CW	12	24	13	T8	Med Bipin	7500	4200	60	460
S21486T	F14T8/CW	15	24	14	T8	Med Bipin	7500	4200	60	645
S21488T	F14T8/D	15	24	14	T8	Med Bipin	7500	6500	76	560
S21610T	F15T8/D830	18	24	15	T8	Med Bipin	7500	3000	82	845
S21701T	F15T8/WW	18	24	15	T8	Med Bipin	7500	3000	52	735
S21609T	F15T8/D35	18	24	15	T8	Med Bipin	7500	3500	70	845
S21616T	F15T8/CW	18	24	15	T8	Med Bipin	7500	4200	60	720
S21600T	F15T8/D	18	24	15	T8	Med Bipin	7500	6500	76	655
S23014T	F18T8CW/K24	24	24	18	T8	Med Bipin	7500	4200	60	1035
Sylvania - 18" 14 Watt OCTRON 700 SERIES										
S21666T	FO13/735/ECO	18	30	14	T8	Med Bipin	30000	3500	75	765

CONTINUED...

COATING ONLY PRICING AVAILABLE FOR CUSTOMER SUPPLIED LAMPS UPON REQUEST.

Sylvania T8 UltraGuard FEP (continued)

PRODUCT CODE	ORDERING ABBREVIATION	LAMP LENGTH	PKG. QTY.	WATTS	TYPE	PIN	AVG RATED LIFE	CCT (K)	CRI	APPROX LUMENS
Sylvania - 24" 17 Watt OCTRON 800 SERIES XPS										
S22150T	FO17/830/XPS/ECO	24	30	17	T8	Med Bipin	40000	3000	85	1315
S22151T	FO17/835/XPS/ECO	24	30	17	T8	Med Bipin	40000	3500	85	1315
S22152T	FO17/841/XPS/ECO	24	30	17	T8	Med Bipin	40000	4100	85	1315
Sylvania - 24" 17 Watt OCTRON 800 SERIES XP										
S21785T	FO17/830/XP/ECO	24	30	17	T8	Med Bipin	40000	3000	85	1290
S21778T	FO17/835/XP/ECO	24	30	17	T8	Med Bipin	40000	3500	85	1290
S21907T	FO17/841/XP/ECO	24	30	17	T8	Med Bipin	40000	4100	85	1290
S22193T	FO17/850/XP/ECO	24	30	17	T8	Med Bipin	40000	5000	85	1290
S21718T	FO17/865/XP/ECO	24	30	17	T8	Med Bipin	40000	6500	85	1175
Sylvania - 24" 17 Watt OCTRON 800 SERIES										
S22135T	FO17/830/ECO	24	30	17	T8	Med Bipin	30000	3000	82	1270
S22136T	FO17/835/ECO	24	30	17	T8	Med Bipin	30000	3500	82	1270
S22137T	FO17/841/ECO	24	30	17	T8	Med Bipin	30000	4100	82	1270
Sylvania - 36" 25 Watt OCTRON 800 SERIES XPS										
S22153T	FO25/830/XPS/ECO	36	30	25	T8	Med Bipin	40000	3000	85	2070
S22154T	FO25/835/XPS/ECO	36	30	25	T8	Med Bipin	40000	3500	85	2070
S22155T	FO25/841/XPS/ECO	36	30	25	T8	Med Bipin	40000	4100	85	2070
Sylvania - 36" 25 Watt OCTRON 800 SERIES XP										
S21910T	FO25/830/XP/ECO	36	30	25	T8	Med Bipin	40000	3000	85	2045
S21776T	FO25/835/XP/ECO	36	30	25	T8	Med Bipin	40000	3500	85	2045
S21774T	FO25/841/XP/ECO	36	30	25	T8	Med Bipin	40000	4100	85	2045
S22194T	FO25/850/XP/ECO	36	30	25	T8	Med Bipin	40000	5000	85	2045
S21719T	FO25/865/XP/ECO	36	30	25	T8	Med Bipin	40000	6500	85	2045
Sylvania - 36" 25 Watt OCTRON 800 SERIES										
S22138T	FO25/830/ECO	36	30	25	T8	Med Bipin	30000	3000	82	2020
S22139T	FO25/835/ECO	36	30	25	T8	Med Bipin	30000	3500	82	2020
S22140T	FO25/841/ECO	36	30	25	T8	Med Bipin	30000	4100	82	2020
SYLVANIA T8 ULTRAGUARD FEP 48" 25 WATTS										
Sylvania - 48" 25 Watt OCTRON 800 Series XP XL SS										
S22349T	FO32/25W/830/XP/XL/SS/ECO3	48	30	25	T8	Med Bipin	80000	3000	85	2305
S22222T	FO32/25W/835/XP/XL/SS/ECO3	48	30	25	T8	Med Bipin	80000	3500	85	2305
S22223T	FO32/25W/841/XP/XL/SS/ECO3	48	30	25	T8	Med Bipin	80000	4100	85	2305
Sylvania - 48" 25 Watt OCTRON 800 Series XP SS										
S22232T	FO32/25W/830/XP/SS/ECO	48	30	25	T8	Med Bipin	40000	3000	85	2350
S22233T	FO32/25W/835/XP/SS/ECO	48	30	25	T8	Med Bipin	40000	3500	85	2350
S22234T	FO32/25W/841/XP/SS/ECO	48	30	25	T8	Med Bipin	40000	4100	85	2350
S22235T	FO32/25W/850/XP/SS/ECO	48	30	25	T8	Med Bipin	40000	5000	81	2350

CONTINUED...

COATING ONLY PRICING AVAILABLE FOR CUSTOMER SUPPLIED LAMPS UPON REQUEST.

Sylvania T8 UltraGuard FEP (continued)

PRODUCT CODE	ORDERING ABBREVIATION	LAMP LENGTH	PKG. QTY.	WATTS	TYPE	PIN	AVG RATED LIFE	CCT (K)	CRI	APPROX LUMENS
SYLVANIA T8 ULTRAGUARD FEP 48" 25 WATTS (continued)										
Sylvania - 48" 25 Watt OCTRON 800 Series XV SS										
S22449T	FO32/25W/835/XV/SS/ECO	48	30	25	T8	Med Bipin	40000	3500	83	2255
S22450T	FO32/25W/841/XV/SS/ECO	48	30	25	T8	Med Bipin	40000	4100	83	2255
S22451T	FO32/25W/850/XV/SS/ECO	48	30	25	T8	Med Bipin	40000	5000	81	2255
SYLVANIA T8 ULTRAGUARD FEP 48" 28 WATTS										
Sylvania - 48" 28 Watt OCTRON 800 Series XP XL SS										
S22166T	FO28/835/XP/XL/SS/ECO3	48	30	28	T8	Med Bipin	80000	3500	85	2495
S22167T	FO28/841/XP/XL/SS/ECO3	48	30	28	T8	Med Bipin	80000	4100	85	2495
S22326T	FO28/850/XP/XL/SS/ECO3	48	30	28	T8	Med Bipin	80000	5000	81	2495
Sylvania - 48" 28 Watt OCTRON 800 Series XP SS										
S22177T	FO28/830/XP/SS/ECO	48	30	28	T8	Med Bipin	40000	3000	85	2560
S22178T	FO28/835/XP/SS/ECO	48	30	28	T8	Med Bipin	40000	3500	85	2560
S22179T	FO28/841/XP/SS/ECO	48	30	28	T8	Med Bipin	40000	4100	85	2560
S22184T	FO28/850/XP/SS/ECO	48	30	28	T8	Med Bipin	40000	5000	81	2560
Sylvania - 48" 28 Watt OCTRON 800 Series XV SS										
S21429T	FO28/830/XV/SS/ECO	48	30	28	T8	Med Bipin	40000	3000	83	2445
S21420T	FO28/835/XV/SS/ECO	48	30	28	T8	Med Bipin	40000	3500	83	2445
S21421T	FO28/841/XV/SS/ECO	48	30	28	T8	Med Bipin	40000	4100	83	2445
S21422T	FO28/850/XV/SS/ECO	48	30	28	T8	Med Bipin	40000	5000	81	2445
SYLVANIA T8 ULTRAGUARD FEP 48" 30 WATTS										
Sylvania - 48" 30 Watt OCTRON 800 Series XP SS										
S22063T	FO30/830/XP/SS/ECO	48	30	30	T8	Med Bipin	40000	3000	85	2680
S22060T	FO30/835/XP/SS/ECO	48	30	30	T8	Med Bipin	40000	3500	85	2680
S22062T	FO30/841/XP/SS/ECO	48	30	30	T8	Med Bipin	40000	4100	85	2680
S22202T	FO30/850/XP/SS/ECO	48	30	30	T8	Med Bipin	40000	5000	81	2680
Sylvania - 48" 30 Watt OCTRON 800 Series XV SS										
S21428T	FO30/830/XV/SS/ECO	48	30	30	T8	Med Bipin	40000	3000	83	2585
S22446T	FO30/835/XV/SS/ECO	48	30	30	T8	Med Bipin	40000	3500	83	2585
S22447T	FO30/841/XV/SS/ECO	48	30	30	T8	Med Bipin	40000	4100	83	2585
S22448T	FO30/850/XV/SS/ECO	48	30	30	T8	Med Bipin	40000	5000	81	2585
SYLVANIA T8 ULTRAGUARD FEP 48" 32 WATTS										
Sylvania - 48" 32 Watt OCTRON 800 Series XP XL										
S21576T	FO32/835/XP/XL/ECO3	48	30	32	T8	Med Bipin	62000	3500	85	2830
S21577T	FO32/841/XP/XL/ECO3	48	30	32	T8	Med Bipin	62000	4100	85	2830
S22002T	FO32/850/XP/XL/ECO3	48	30	32	T8	Med Bipin	62000	5000	81	2830
S22065T	FO32/865/XP/XL/ECO3	48	30	32	T8	Med Bipin	52000	6500	85	2830

CONTINUED...

COATING ONLY PRICING AVAILABLE FOR CUSTOMER SUPPLIED LAMPS UPON REQUEST.

Sylvania T8 UltraGuard FEP (continued)

PRODUCT CODE	ORDERING ABBREVIATION	LAMP LENGTH	PKG. QTY.	WATTS	TYPE	PIN	AVG RATED LIFE	CCT (K)	CRI	APPROX LUMENS
Sylvania - 48" 32 Watt OCTRON 800 Series XPS										
S21680T	FO32/830/XPS/ECO	48	30	32	T8	Med Bipin	40000	3000	85	2915
S21697T	FO32/835/XPS/ECO	48	30	32	T8	Med Bipin	40000	3500	85	2915
S21681T	FO32/841/XPS/ECO	48	30	32	T8	Med Bipin	40000	4100	85	2915
S21660T	FO32/850/XPS/ECO	48	30	32	T8	Med Bipin	40000	5000	81	2820
S21659T	FO32/865/XPS/ECO	48	30	32	T8	Med Bipin	40000	6500	81	2725
Sylvania - 48" 32 Watt OCTRON 800 Series XP										
S21759T	FO32/830/XP/ECO	48	30	32	T8	Med Bipin	40000	3000	85	2820
S21763T	FO32/835/XP/ECO	48	30	32	T8	Med Bipin	40000	3500	85	2820
S21767T	FO32/841/XP/ECO	48	30	32	T8	Med Bipin	40000	4100	85	2820
S22026T	FO32/850/XP/ECO	48	30	32	T8	Med Bipin	40000	5000	85	2820
S21720T	FO32/865/XP/ECO	48	30	32	T8	Med Bipin	40000	6500	85	2680
Sylvania - 48" 32 Watt OCTRON 800 Series XV										
S21427T	FO32/830/XV/ECO	48	30	32	T8	Med Bipin	40000	3000	83	2725
S20066T	FO32/835/XV/ECO	48	30	32	T8	Med Bipin	40000	3500	83	2725
S20067T	FO32/841/XV/ECO	48	30	32	T8	Med Bipin	40000	4100	83	2725
S20068T	FO32/850/XV/ECO	48	30	32	T8	Med Bipin	40000	5000	81	2725
Sylvania - 48" 32 Watt OCTRON 800 Series										
S21777T	FO32/830/ECO	48	30	32	T8	Med Bipin	30000	3000	85	2775
S21779T	FO32/835/ECO	48	30	32	T8	Med Bipin	30000	3500	85	2775
S21781T	FO32/841/ECO	48	30	32	T8	Med Bipin	30000	4100	85	2775
S22143T	FO32/850/ECO	48	30	32	T8	Med Bipin	30000	5000	81	2775
SYLVANIA T8 ULTRAGUARD FEP 60" - 96"										
Sylvania - 60" 40 Watt OCTRON 800 Series XP										
S21912T	FO40/830/XP/ECO	60	30	40	T8	Med Bipin	40000	3000	85	3525
S21911T	FO40/835/XP/ECO	60	30	40	T8	Med Bipin	40000	3500	85	3525
S21916T	FO40/841/XP/ECO	60	30	40	T8	Med Bipin	40000	4100	85	3525
S21721T	FO40/865/XP/ECO	60	30	40	T8	Med Bipin	40000	6500	85	3430
Sylvania - 60" 40 Watt OCTRON 800 Series										
S22144T	FO40/830/ECO	60	30	40	T8	Med Bipin	30000	3000	82	3430
S22145T	FO40/835/ECO	60	30	40	T8	Med Bipin	30000	3500	82	3430
S22146T	FO40/841/ECO	60	30	40	T8	Med Bipin	30000	4100	82	3430
Sylvania - 96" 54 Watt OCTRON 800 Series XP SS										
S22100T	FO96/54W/835/XP/SS/ECO	96	24	54	T8	Single Pin	36000	3500	85	5360
S22101T	FO96/54W/841/XP/SS/ECO	96	24	54	T8	Single Pin	36000	4100	85	5360
S22347T	FO96/54W/850/XP/SS/ECO	96	24	54	T8	Single Pin	36000	5000	81	5360

CONTINUED...

COATING ONLY PRICING AVAILABLE FOR CUSTOMER SUPPLIED LAMPS UPON REQUEST.

Sylvania T8 UltraGuard FEP (continued)

PRODUCT CODE	ORDERING ABBREVIATION	LAMP LENGTH	PKG. QTY.	WATTS	TYPE	PIN	AVG RATED LIFE	CCT (K)	CRI	APPROX LUMENS
SYLVANIA T8 ULTRAGUARD FEP 60" - 96" (continued)										
Sylvania - 96" 50 Watt OCTRON 800 Series XP SS										
S22420T	FO96/50W/835/XP/SS/ECO	96	24	50	T8	Single Pin	36000	3500	85	5075
S22421T	FO96/50W/841/XP/SS/ECO	96	24	50	T8	Single Pin	36000	4100	85	5075
Sylvania - 96" 59 Watt OCTRON 800 Series XP										
S22036T	FO96/830/XP/ECO	96	24	59	T8	Single Pin	36000	3000	85	5730
S22034T	FO96/835/XP/ECO	96	24	59	T8	Single Pin	36000	3500	85	5730
S22032T	FO96/841/XP/ECO	96	24	59	T8	Single Pin	36000	4100	85	5730
S22174T	FO96/850/XP/ECO	96	24	59	T8	Single Pin	36000	5000	85	5730
Sylvania - 96" 50 Watt OCTRON 800 Series XV SS										
S21426T	FO96/50W/835/XV/SS/ECO	96	24	50	T8	Single Pin	36000	3500	83	4795
S21425T	FO96/50W/841/XV/SS/ECO	96	24	50	T8	Single Pin	36000	4100	83	4795
Sylvania - 96" 54 Watt OCTRON 800 Series XV SS										
S21423T	FO96/54W/835/XV/SS/ECO	96	24	54	T8	Single Pin	36000	3500	83	5075
S21424T	FO96/54W/841/XV/SS/ECO	96	24	54	T8	Single Pin	36000	4100	83	5075
Sylvania - 96" 59 Watt OCTRON 800 Series										
S22147T	FO96/830/ECO	96	24	59	T8	Single Pin	30000	3000	82	5430
S22148T	FO96/835/ECO	96	24	59	T8	Single Pin	30000	3500	82	5430
S22149T	FO96/841/ECO	96	24	59	T8	Single Pin	30000	4100	82	5430
S22173T	FO96/850/ECO	96	24	59	T8	Single Pin	30000	5000	81	5430
SYLVANIA T8HO ULTRAGUARD FEP										
Sylvania - 96" 86 Watt OCTRON 800 Series HO										
S22206T	FO96/835/HO/ECO	96	24	86	T8	RDC	27000	3500	85	7710
S22207T	FO96/841/HO/ECO	96	24	86	T8	RDC	27000	4100	85	7710

Sylvania Black Light UltraGuard FEP

PRODUCT CODE	ORDERING ABBREVIATION	LAMP LENGTH	PKG. QTY.	WATTS	TYPE	PIN	AVG RATED LIFE	CCT (K)	CRI	APPROX LUMENS
SYLVANIA T8 BLACK LIGHT ULTRAGUARD FEP										
S21625T	F15T8/BLB	18	6	15	T8	Med Bipin	7500	-	-	-
S21623T	F15T8/350/BL/ECO	18	24	15	T8	Med Bipin	7500	-	-	-
S21703T	F25T8/350/BL/ECO	18	24	25	T8	Med Bipin	7500	-	-	-
S23113T	F30T8/350/BL/ECO	36	24	30	T8	Med Bipin	7500	-	-	-
SYLVANIA T12 BLACK LIGHT ULTRAGUARD FEP										
S21445T	F15T12/350/BL/500PH	15	30	15	T12	Med Bipin	-	-	-	-
S21525T	F18T12/350/BL/700PH	18	30	18	T12	Med Bipin	-	-	-	-
S22113T	F20T12/350/BL/ECO	24	24	20	T12	Med Bipin	9000	-	-	-
S24922T	F40T12/350/BL/ECO	48	30	40	T12	Med Bipin	20000	-	-	-
S24026T	F40T12/BLB/RP	48	6	40	T12	Med Bipin	20000	-	-	-

COATING ONLY PRICING AVAILABLE FOR CUSTOMER SUPPLIED LAMPS UPON REQUEST.

Philips T5 UltraGuard FEP

PRODUCT CODE	ORDERING ABBREVIATION	LAMP LENGTH	PKG. QTY.	WATTS	TYPE	PIN	AVG RATED LIFE	CCT (K)	CRI	APPROX LUMENS
PHILIPS T5 ULTRAGUARD FEP										
24" 14 Watt High Efficiency Alto										
P230771T	F14T5/830/ALTO	24	40	14	T5	Med Bipin	35000	3000	85	1275
P230797T	F14T5/835/ALTO	24	40	14	T5	Med Bipin	35000	3500	85	1275
P230805T	F14T5/841/ALTO	24	40	14	T5	Med Bipin	35000	4100	85	1275
36" 21 Watt High Efficiency Alto										
P230813T	F21T5/830/ALTO	36	40	21	T5	Med Bipin	35000	3000	85	2000
P230821T	F21T5/835/ALTO	36	40	21	T5	Med Bipin	35000	3500	85	2000
P230839T	F21T5/841/ALTO	36	40	21	T5	Med Bipin	35000	4100	85	2000
48" 28 Watt High Efficiency Alto										
P230847T	F28T5/830/ALTO	48	40	28	T5	Med Bipin	35000	3000	85	2750
P230854T	F28T5/835/ALTO	48	40	28	T5	Med Bipin	35000	3500	85	2750
P230862T	F28T5/841/ALTO	48	40	28	T5	Med Bipin	35000	4100	85	2750
60" 35 Watt High Efficiency Alto										
P230888T	F35T5/830/ALTO	60	40	35	T5	Med Bipin	35000	3000	85	3450
P230953T	F35T5/841/ALTO	60	40	35	T5	Med Bipin	35000	4100	85	3450
PHILIPS T5HO ULTRAGUARD FEP										
24" 24 Watt HO Alto										
P290197T	F24T5/830/HO/ALTO	24	40	24	T5	Med Bipin	35000	3000	85	1850
P290205T	F24T5/835/HO/ALTO	24	40	24	T5	Med Bipin	35000	3500	85	1850
P290213T	F24T5/841/HO/ALTO	24	40	24	T5	Med Bipin	35000	4100	85	1850
P412775T	F24T5/850/HO/ALTO	24	40	24	T5	Med Bipin	35000	5000	82	1775
48" 49 Watt ENERGY ADVANTAGE HO Alto										
P220491T	F54T5/830/HO/EA/ALTO 49W	48	40	49	T5	Med Bipin	40000	3000	85	4750
P220509T	F54T5/835/HO/EA/ALTO 49W	48	40	49	T5	Med Bipin	40000	3500	85	4750
P220525T	F54T5/841/HO/EA/ALTO 49W	48	40	49	T5	Med Bipin	40000	4100	85	4600
P406496T	F54T5/850/HO/EA/ALTO 49W	48	40	49	T5	Med Bipin	40000	5000	82	4625
48" 49 Watt EXTREME TEMPERATURE HO Alto										
P407296T	F54T5/835/HO/A/EA/ALTO 49W	48	40	49	T5	Med Bipin	40000	3500	85	4750
P407304T	F54T5/841/HO/A/EA/ALTO 49W	48	40	49	T5	Med Bipin	40000	4100	85	4750
P407528T	F54T5/850/HO/A/EA/ALTO 49W	48	40	49	T5	Med Bipin	40000	5000	82	4600
48" 54 Watt HO Alto										
P290262T	F54T5/830/HO/ALTO	48	40	54	T5	Med Bipin	35000	3000	85	4750
P290288T	F54T5/835/HO/ALTO	48	40	54	T5	Med Bipin	35000	3500	85	4750
P290833T	F54T5/841/HO/ALTO	48	40	54	T5	Med Bipin	35000	4100	85	4750
P135103T	F54T5/850/HO/ALTO	48	40	54	T5	Med Bipin	35000	5000	82	4600
P147454T	F54T5/865/HO/ALTO	48	40	54	T5	Med Bipin	35000	6500	82	4415

CONTINUED...

COATING ONLY PRICING AVAILABLE FOR CUSTOMER SUPPLIED LAMPS UPON REQUEST.

Philips T8 UltraGuard FEP

PRODUCT CODE	ORDERING ABBREVIATION	LAMP LENGTH	PKG. QTY.	WATTS	TYPE	PIN	AVG RATED LIFE	CCT (K)	CRI	APPROX LUMENS
PHILIPS T8 ULTRAGUARD FEP 18" - 36"										
18" PREHEAT LAMPS STANDARD (Starter Req)										
P407205T	F15T8D	18	25	15	T8	Med Bipin	7500	6500	73	660
P407197T	F15T8/CW	18	25	15	T8	Med Bipin	7500	4100	59	765
P281477T	F30T8/CW/ALTO	36	25	30	T8	Med Bipin	7500	4100	59	2000
24" 17 Watt 800 Series Long Life ALTO II										
P280933T	F17T8/TL830/PLUS/ALTO	24	30	17	T8	Med Bipin	36000	3000	85	1330
P280941T	F17T8/TL835/PLUS/ALTO	24	30	17	T8	Med Bipin	36000	3500	85	1330
P280958T	F17T8/TL841/PLUS/ALTO	24	30	17	T8	Med Bipin	36000	4100	85	1330
P280966T	F17T8/TL850/PLUS/ALTO	24	30	17	T8	Med Bipin	36000	5000	82	1260
P281931T	F17T8/TL865/PLUS/ALTO	24	30	17	T8	Med Bipin	36000	6500	82	1210
24" 17 Watt 800 Series ALTO II										
P281881T	F17T8/TL835/ALTO	24	30	17	T8	Med Bipin	30000	3500	84	1280
P281899T	F17T8/TL841/ALTO	24	30	17	T8	Med Bipin	30000	4100	82	1280
P280909T	F17T8/TL850/ALTO	24	30	17	T8	Med Bipin	30000	5000	82	1235
36" 25 Watt 800 Series ADVANTAGE HIGH LUMEN ALTO II										
P281402T	F25T8/ADV835/ALTO	36	30	25	T8	Med Bipin	30000	3500	84	2300
P281428T	F25T8/ADV841/ALTO	36	30	25	T8	Med Bipin	30000	4100	82	2300
36" 25 Watt 800 Series Long Life ALTO II										
P280974T	F25T8/TL830/PLUS/ALTO	36	30	25	T8	Med Bipin	36000	3000	85	2115
P280982T	F25T8/TL835/PLUS/ALTO	36	30	25	T8	Med Bipin	36000	3500	85	2115
P280990T	F25T8/TL841/PLUS/ALTO	36	30	25	T8	Med Bipin	36000	4100	85	2115
36" 25 Watt 800 Series ALTO II										
P281907T	F25T8/TL835/ALTO	36	30	25	T8	Med Bipin	30000	3500	85	2040
P281915T	F25T8/TL841/ALTO	36	30	25	T8	Med Bipin	30000	4100	84	2040
P280925T	F25T8/TL850/ALTO	36	30	25	T8	Med Bipin	30000	5000	82	2040
PHILIPS T8 ULTRAGUARD FEP 48" 25 WATTS										
48" 25 Watt 800 Series EXTRA LONG LIFE ALTO II										
P281212T	F32T8/ADV830/XLL/ALTO 25 Watt	48	30	25	T8	Med Bipin	46000	3000	85	2330
P281220T	F32T8/ADV835/XLL/ALTO 25 Watt	48	30	25	T8	Med Bipin	46000	3500	84	2330
P281238T	F32T8/ADV841/XLL/ALTO 25 Watt	48	30	25	T8	Med Bipin	46000	4100	82	2330
P281253T	F32T8/ADV850/XLL/ALTO 25 Watt	48	30	25	T8	Med Bipin	46000	5000	82	2280
48" 25 Watt 800 Series ENERGY ADVANTAGE ALTO II										
P282046T	F32T8/ADV830/XEW/ALTO 25 Watt	48	30	25	T8	Med Bipin	38000	3000	85	2500
P282095T	F32T8/ADV835/XEW/ALTO 25 Watt	48	30	25	T8	Med Bipin	38000	3500	84	2500
P280784T	F32T8/ADV841/XEW/ALTO 25 Watt	48	30	25	T8	Med Bipin	38000	4100	82	2500
P280792T	F32T8/ADV850/XEW/ALTO 25 Watt	48	30	25	T8	Med Bipin	38000	5000	82	2400

CONTINUED...

COATING ONLY PRICING AVAILABLE FOR CUSTOMER SUPPLIED LAMPS UPON REQUEST.

Philips T8 UltraGuard FEP (continued)

PRODUCT CODE	ORDERING ABBREVIATION	LAMP LENGTH	PKG. QTY.	WATTS	TYPE	PIN	AVG RATED LIFE	CCT (K)	CRI	APPROX LUMENS
PHILIPS T8 ULTRAGUARD FEP 48" 28 WATTS										
48" 28 Watt 800 Series EXTRA LONG LIFE ALTO II										
P281469T	F32T8/ADV830/XLL/ALTO 28 Watt	48	30	28	T8	Med Bipin	46000	3000	85	2595
P281485T	F32T8/ADV835/XLL/ALTO 28 Watt	48	30	28	T8	Med Bipin	46000	3500	84	2595
P281279T	F32T8/ADV841/XLL/ALTO 28 Watt	48	30	28	T8	Med Bipin	46000	4100	82	2595
P281287T	F32T8/ADV850/XLL/ALTO 28 Watt	48	30	28	T8	Med Bipin	46000	5000	82	2545
48" 28 WATT 800 SERIES ENERGY ADVANTAGE ALTO II										
P281014T	F32T8/ADV830/EW/ALTO 28 Watt	48	30	28	T8	Med Bipin	38000	3000	85	2725
P281022T	F32T8/ADV835/EW/ALTO 28 Watt	48	30	28	T8	Med Bipin	38000	3500	84	2725
P281030T	F32T8/ADV841/EW/ALTO 28 Watt	48	30	28	T8	Med Bipin	38000	4100	82	2725
P281055T	F32T8/ADV850/EW/ALTO 28 Watt	48	30	28	T8	Med Bipin	38000	5000	82	2675
PHILIPS T8 ULTRAGUARD FEP 48" 32 WATTS										
48" 32 Watt 800 Series EXTRA LONG LIFE ALTO II										
P281154T	F32T8/TL835/XLL/ALTO	48	30	32	T8	Med Bipin	46000	3500	84	2800
P281162T	F32T8/TL841/XLL/ALTO	48	30	32	T8	Med Bipin	46000	4100	82	2800
P281204T	F32T8/TL850/XLL/ALTO	48	30	32	T8	Med Bipin	46000	5000	82	2700
48" 32 Watt 800 Series ADVANTAGE HIGH LUMEN ALTO II										
P280800T	F32T8/ADV830/ALTO	48	30	32	T8	Med Bipin	30000	3000	85	3000
P280818T	F32T8/ADV835/ALTO	48	30	32	T8	Med Bipin	30000	3500	84	3000
P280859T	F32T8/ADV841/ALTO	48	30	32	T8	Med Bipin	30000	4100	82	3000
P280891T	F32T8/ADV850/ALTO	48	30	32	T8	Med Bipin	30000	5000	82	2910
48" 32 Watt 800 Series LONG LIFE PLUS ALTO II										
P281659T	F32T8/TL830/PLUS/ALTO	48	30	32	T8	Med Bipin	36000	3000	85	2800
P281675T	F32T8/TL835/PLUS/ALTO	48	30	32	T8	Med Bipin	36000	3500	85	2800
P281790T	F32T8/TL841/PLUS/ALTO	48	30	32	T8	Med Bipin	36000	4100	85	2800
P281816T	F32T8/TL850/PLUS/ALTO	48	30	32	T8	Med Bipin	36000	5000	82	2710
48" 32 Watt 800 Series ALTO II										
P281519T	F32T8/TL830/ALTO	48	30	32	T8	Med Bipin	30000	3000	85	2710
P281535T	F32T8/TL835/ALTO	48	30	32	T8	Med Bipin	30000	3500	84	2710
P281550T	F32T8/TL841/ALTO	48	30	32	T8	Med Bipin	30000	4100	82	2710
P281568T	F32T8/TL850/ALTO	48	30	32	T8	Med Bipin	30000	5000	82	2710
PHILIPS T8 ULTRAGUARD FEP 60" - 96"										
60" 40 Watt 800 Series ALTO II										
P368340T	F40T8/TL835/ALTO	60	25	40	T8	Med Bipin	30000	3500	84	3500
P368472T	F40T8/TL841/ALTO	60	25	40	T8	Med Bipin	30000	4100	82	3500
96" 51 Watt 800 Series ENERGY ADVANTAGE ALTO II										
P163212T	F96T8/ADV835/XEW/ALTO 51W	96	25	51	T8	Single Pin	30000	3500	85	4940
P163311T	F96T8/ADV841/XEW/ALTO 51W	96	25	51	T8	Single Pin	30000	4100	85	4940
P164574T	F96T8/ADV850/XEW/ALTO 51W	96	25	51	T8	Single Pin	30000	5000	82	4840

CONTINUED...

COATING ONLY PRICING AVAILABLE FOR CUSTOMER SUPPLIED LAMPS UPON REQUEST.

Philips T8 UltraGuard FEP (continued)

PRODUCT CODE	ORDERING ABBREVIATION	LAMP LENGTH	PKG. QTY.	WATTS	TYPE	PIN	AVG RATED LIFE	CCT (K)	CRI	APPROX LUMENS
PHILIPS T8 ULTRAGUARD FEP 60" - 96" (continued)										
96" 59 Watt 800 Series Plus Slimline ALTO										
P236844T	F96T8/TL835/PLUS/ALTO	96	25	59	T8	Single Pin	30000	3500	85	5490
P236851T	F96T8/TL841/PLUS/ALTO	96	25	59	T8	Single Pin	30000	4100	85	5490
P236869T	F96T8/TL850/PLUS/ALTO	96	25	59	T8	Single Pin	30000	5000	82	5375
PHILIPS T8HO ULTRAGUARD FEP										
48" 44 Watt 800 Series Plus HO ALTO										
P236794T	F48T8/TL841/HO/ALTO	48	25	44	T8	RDC	18000	4100	85	3600
72" 65 Watt 800 Series Plus HO ALTO										
P236802T	F72T8/TL841/HO/ALTO	72	25	65	T8	RDC	18001	4100	86	5490
96" 86 Watt 800 Series Plus HO ALTO										
P236877T	F96T8/TL835/HO/PLUS/ALTO	96	25	86	T8	RDC	30000	3500	85	7625
P236885T	F96T8/TL841/HO/PLUS/ALTO	96	25	86	T8	RDC	30000	4100	85	7625
P236893T	F96T8/TL850/HO/PLUS/ALTO	96	25	86	T8	RDC	30000	5000	82	7550

Philips T8 Black Light UltraGuard FEP

PRODUCT CODE	ORDERING ABBREVIATION	LAMP LENGTH	PKG. QTY.	WATTS	TYPE	PIN	AVG RATED LIFE	CCT (K)	CRI	APPROX LUMENS
PHILIPS T8 BLACK LIGHT ULTRAGUARD FEP										
P130369T	F15T8/BL ACTINIC	18	25	15	T8	Med Bipin	7500	-	-	-

GE T5 UltraGuard FEP

PRODUCT CODE	ORDERING ABBREVIATION	LAMP LENGTH	PKG. QTY.	WATTS	TYPE	PIN	AVG RATED LIFE	CCT (K)	CRI	APPROX LUMENS
GE T5 ULTRAGUARD FEP										
GE - PREHEAT-Minature (Starter Req)										
G10059T	F8T5/CW	12	24	8	T5	Mini BiPin	5000	4100	60	320
G10055T	F8T5/D	12	24	8	T5	Mini BiPin	5000	6500	75	265
G10064T	F8T5/WW	12	24	8	T5	Mini BiPin	5000	3000	52	330
G10086T	F13T5/CW	21	24	13	T5	Mini BiPin	5000	4100	60	705
G10089T	F13T5/WW	21	24	13	T5	Mini BiPin	5000	3000	52	720
GE - 24" 14 Watt High Efficiency Alto										
G31590T	F14W/T5/830/ECO	24	40	14	T5	Mini BiPin	36000	3000	85	1240
G46671T	F14W/T5/835/ECO	24	40	14	T5	Mini BiPin	36000	3500	85	1240
G46673T	F14W/T5/841/ECO	24	40	14	T5	Mini BiPin	36000	4100	85	1240
G46674T	F14W/T5/850/ECO	24	40	14	T5	Mini BiPin	36000	5000	85	1190
G46676T	F14W/T5/865/ECO	24	40	14	T5	Mini BiPin	36000	6500	85	1150

CONTINUED...

COATING ONLY PRICING AVAILABLE FOR CUSTOMER SUPPLIED LAMPS UPON REQUEST.

GE T5 UltraGuard FEP (continued)

PRODUCT CODE	ORDERING ABBREVIATION	LAMP LENGTH	PKG. QTY.	WATTS	TYPE	PIN	AVG RATED LIFE	CCT (K)	CRI	APPROX LUMENS
GE - 36" 21 Watt High Efficiency										
G46677T	F21W/T5/830/ECO	36	40	21	T5	Mini BiPin	36000	3000	85	1930
G46684T	F21W/T5/835/ECO	36	40	21	T5	Mini BiPin	36000	3500	85	1930
G46687T	F21W/T5/841/ECO	36	40	21	T5	Mini BiPin	36000	4100	85	1930
G46688T	F21W/T5/850/ECO	36	40	21	T5	Mini BiPin	36000	5000	85	1840
G46689T	F21W/T5/865/ECO	36	40	21	T5	Mini BiPin	36000	6500	85	1790
GE - 48" 28 Watt High Efficiency										
G46704T	F28W/T5/830/ECO	48	40	28	T5	Mini BiPin	36000	3000	85	2660
G46705T	F28W/T5/835/ECO	48	40	28	T5	Mini BiPin	36000	3500	85	2660
G46706T	F28W/T5/841/ECO	48	40	28	T5	Mini BiPin	36000	4100	85	2660
G46707T	F28W/T5/850/ECO	48	40	28	T5	Mini BiPin	36000	5000	85	2530
G46708T	F28W/T5/865/ECO	48	40	28	T5	Mini BiPin	36000	6500	85	2480
GE - 48" 28 Watt High Efficiency High Lumen										
G71652T	F28WT5/830/HL/ECO	48	40	28	T5	Mini BiPin	24000	3000	85	2810
G71653T	F28WT5/835/HL/ECO	48	40	28	T5	Mini BiPin	24000	3500	85	2810
G71654T	F28WT5/841/HL/ECO	48	40	28	T5	Mini BiPin	24000	4100	85	2810
G71655T	F28WT5/850/HL/ECO	48	40	28	T5	Mini BiPin	24000	5000	85	2670
G71656T	F28WT5/865/HL/ECO	48	40	28	T5	Mini BiPin	24000	6500	85	2620
GE - 60" 35 Watt High Efficiency										
G46724T	F35W/T5/830/ECO	60	40	35	T5	Mini BiPin	36000	3000	85	3350
G46727T	F35W/T5/835/ECO	60	40	35	T5	Mini BiPin	36000	3500	85	3350
G46735T	F35W/T5/841/ECO	60	40	35	T5	Mini BiPin	36000	4100	85	3350
G46742T	F35W/T5/850/ECO	60	40	35	T5	Mini BiPin	36000	5000	85	3220
G46743T	F35W/T5/865/ECO	60	40	35	T5	Mini BiPin	36000	6500	85	3120
GE T5HO ULTRAGUARD FEP										
GE - 24" 24 Watt Starcoat Ecolux HO										
G46699T	F24W/T5/830/ECO	24	40	24	T5	Mini BiPin	36000	3000	85	1840
G46700T	F24W/T5/835/ECO	24	40	24	T5	Mini BiPin	36000	3500	85	1840
G46701T	F24W/T5/841/ECO	24	40	24	T5	Mini BiPin	36000	4100	85	1840
GE - 36" 39 Watt Starcoat Ecolux HO										
G46744T	F39W/T5/830/ECO	36	40	39	T5	Mini BiPin	36000	3000	85	3220
G46745T	F39W/T5/835/ECO	36	40	39	T5	Mini BiPin	36000	3500	85	3220
G46746T	F39W/T5/841/ECO	36	40	39	T5	Mini BiPin	36000	4100	85	3220
GE - 48" 51 Watt Watt-Miser HO										
G71627T	F54T5/830/WM/ECO	48	40	51	T5	Mini BiPin	36000	3000	85	4600
G71628T	F54T5/835/WM/ECO	48	40	51	T5	Mini BiPin	36000	3500	85	4600
G71629T	F54T5/841/WM/ECO	48	40	51	T5	Mini BiPin	36000	4100	85	4600
G71630T	F54T5/850/WM/ECO	48	40	51	T5	Mini BiPin	36000	5000	85	4410
G71631T	F54T5/865/WM/ECO	48	40	51	T5	Mini BiPin	36000	6500	85	4370

CONTINUED...

COATING ONLY PRICING AVAILABLE FOR CUSTOMER SUPPLIED LAMPS UPON REQUEST.

GE T8 UltraGuard FEP

PRODUCT CODE	ORDERING ABBREVIATION	LAMP LENGTH	PKG. QTY.	WATTS	TYPE	PIN	AVG RATED LIFE	CCT (K)	CRI	APPROX LUMENS
GE T5HO ULTRAGUARD FEP (continued)										
GE - 48" 54 Watt Starcoat Ecolux HO										
G46759T	F54W/T5/830/ECO	48	40	54	T5	Mini BiPin	36000	3000	85	4600
G46760T	F54W/T5/835/ECO	48	40	54	T5	Mini BiPin	36000	3500	85	4600
G46761T	F54W/T5/841/ECO	48	40	54	T5	Mini BiPin	36000	4100	85	4600
G46762T	F54W/T5/850/ECO	48	40	54	T5	Mini BiPin	36000	5000	85	4410
G46763T	F54W/T5/865/ECO	48	40	54	T5	Mini BiPin	36000	6500	85	4370
GE T8 ULTRAGUARD FEP 12" - 36"										
GE - PREHEAT LAMPS STANDARD (Starter Req)										
G10098T	F13T8/CW	12	24	13	T8	Med BiPin	7500	4100	60	480
G10104T	F14T8/CW	15	24	14	T8	Med BiPin	7500	4100	60	580
G19644T	F15T8/SPX30	18	24	15	T8	Med BiPin	7500	3000	82	900
G19645T	F15T8/SPX35	18	24	15	T8	Med BiPin	7500	3500	82	900
G10142T	F15T8/CW	18	24	15	T8	Med BiPin	7500	4100	60	725
G10134T	F15T8/D	18	24	15	T8	Med BiPin	7500	6500	75	615
G10147T	F15T8/WW	18	24	15	T8	Med BiPin	7500	3000	52	745
GE - 24" 17 Watt Starcoat Ecolux SPX SERIES										
G45742T	F17T8/SPX30/ECO	24	24	17	T8	Med BiPin	36000	3000	85	1280
G45747T	F17T8/SPX35/ECO	24	24	17	T8	Med BiPin	36000	3500	85	1280
G45749T	F17T8/SPX41/ECO	24	24	17	T8	Med BiPin	36000	4100	85	1280
GE - 36" 25 Watt Starcoat Ecolux SPX SERIES										
G45753T	F25T8/SPX30/ECO	36	24	25	T8	Med BiPin	36000	3000	85	2040
G45755T	F25T8/SPX35/ECO	36	24	25	T8	Med BiPin	36000	3500	85	2040
G45757T	F25T8/SPX41/ECO	36	24	25	T8	Med BiPin	36000	4100	85	2040
GE T8 ULTRAGUARD FEP 48" 28 WATTS										
GE - 48" 28 Watt Ultra Max SPX SERIES										
G72863T	F28T8/XL/SPX30/ECO	48	36	28	T8	Med BiPin	50000	3000	85	2515
G72864T	F28T8/XL/SPX35/ECO	48	36	28	T8	Med BiPin	50000	3500	85	2515
G72866T	F28T8/XL/SPX41/ECO	48	36	28	T8	Med BiPin	50000	4100	82	2515
G72867T	F28T8/XL/SPX50/ECO	48	36	28	T8	Med BiPin	50000	5000	80	2515
G66346T	F28T8/XL/SPX65/ECO	48	36	28	T8	Med BiPin	50000	6500	80	2440
GE - 48" 32 Watt Starcoat Ecolux SPX SERIES										
G68850T	F32T8/SPX30/ECO2	48	36	32	T8	Med BiPin	36000	3000	85	2770
G68851T	F32T8/SPX35/ECO2	48	36	32	T8	Med BiPin	36000	3500	85	2770
G68852T	F32T8/SPX41/ECO2	48	36	32	T8	Med BiPin	36000	4100	85	2770
G68853T	F32T8/SPX50/ECO2	48	36	32	T8	Med BiPin	36000	5000	82	2755
G66342T	F32T8/SPX65/ECO2	48	36	32	T8	Med BiPin	36000	6500	78	2755

CONTINUED...

COATING ONLY PRICING AVAILABLE FOR CUSTOMER SUPPLIED LAMPS UPON REQUEST.

GE T8 UltraGuard FEP (continued)

PRODUCT CODE	ORDERING ABBREVIATION	LAMP LENGTH	PKG. QTY.	WATTS	TYPE	PIN	AVG RATED LIFE	CCT (K)	CRI	APPROX LUMENS
GE - 48" 32 Watt Extra Life SPX SERIES										
G68854T	F32T8/XL/SPX30/ECO2	48	36	32	T8	Med BiPin	45000	3000	85	2770
G68855T	F32T8/XL/SPX35/ECO2	48	36	32	T8	Med BiPin	45000	3500	85	2770
G68856T	F32T8/XL/SPX41/ECO2	48	36	32	T8	Med BiPin	45000	4100	85	2770
G68857T	F32T8/XL/SPX50/ECO2	48	36	32	T8	Med BiPin	45000	5000	82	2700
G68858T	F32T8/XL/SPX65/ECO2	48	36	32	T8	Med BiPin	45000	6500	78	2610
GE T8 ULTRAGUARD FEP 60" - 96"										
GE - 60" 40 Watt Starcoat SPX SERIES										
G22660T	F40T8/SPX30	60	24	40	T8	Med BiPin	20000	3000	84	3350
G22661T	F40T8/SPX35	60	24	40	T8	Med BiPin	20000	3500	84	3350
G22662T	F40T8/SPX41	60	24	40	T8	Med BiPin	20000	4100	84	3350
GE - 96" 59 Watt Extra-Life SPX Series										
G68868T	F96T8/XL/SPX30/2	96	24	59	T8	Med BiPin	30000	3000	85	5650
G68869T	F96T8/XL/SPX35/2	96	24	59	T8	Med BiPin	30000	3500	85	5650
G68870T	F96T8/XL/SPX41/2	96	24	59	T8	Med BiPin	30000	4100	85	5650
G68871T	F96T8/XL/SPX50/2	96	24	59	T8	Med BiPin	30000	5000	82	5650
GE T8HO ULTRAGUARD FEP										
GE - 96" 86 Watt Starcoat HO SPX Series										
G12533T	F96T8/SPX35/HO	96	24	86	T8	Med BiPin	18000	3500	85	7800
G12534T	F96T8/SPX41/HO	96	24	86	T8	Med BiPin	18000	4100	85	7800
G12535T	F96T8/SPX50/HO	96	24	86	T8	Med BiPin	18000	5000	82	7800

GE Black Light UltraGuard FEP Coated

PRODUCT CODE	ORDERING ABBREVIATION	LAMP LENGTH	PKG. QTY.	WATTS	TYPE	PIN	AVG RATED LIFE	CCT (K)	CRI	APPROX LUMENS
GE T8 BLACK LIGHT ULTRAGUARD FEP										
G35884T	F15T8/BL 6PK	18	6	15	T8	Med BiPin	7500	-	-	-
G35885T	F15T8/BLB 6PK	18	6	15	T8	Med BiPin	7500	-	-	-
GE T12 BLACK LIGHT ULTRAGUARD FEP										
G10244T	F20T12/BL 6PK	24	6	20	T12	Med BiPin	9000	-	-	-
G34747T	F20T12/BLB 6PK	24	6	20	T12	Med BiPin	9000	-	-	-
G10526T	F40BL 6PK	48	6	40	T12	Med BiPin	20000	-	-	-
G10531T	F40BLB 6PK	48	6	40	T12	Med BiPin	20000	-	-	-

ProGuard[®]

SHATTER RESISTANT LIGHTING



EncapSulite shatter resistant lamps deliver superior protection against accidental lamp breakage. **ProGuard** PC shatter resistant lamps are suitable for incidental food contact in federally inspected food, meat and poultry plants. **ProGuard** PC is specially formulated to block 95% of harmful UV rays emitted from fluorescent lamps. A perfect solution for standard linear T8 and T12 fluorescent lamps. EncapSulite shatter resistant coatings are UL recognized for safety and UL-EPH certified for environmental and public health.



FEATURES

- Contains Glass in Case of Breakage
- Designed for Standard Life Lamps
- Designed for Open Fixtures
- UL Recognized for Safety
- UL-EPH Certified / NSF Rated
- For Use in Ambient Temps < 135°F
- Blocks UV Emissions Below 380nm

APPLICATIONS

- Hospitals
- Deli Cases
- Schools
- Grocery Stores
- Restaurants
- Cafeterias
- Pharmaceutical Operations

WARRANTY: EncapSulite International's ProGuard PC shatter resistant coating is guaranteed for one year from the date of sale.

COATING ONLY PRICING AVAILABLE FOR CUSTOMER SUPPLIED LAMPS UPON REQUEST.

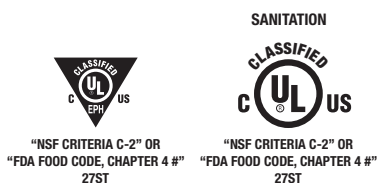
Sylvania T6 ProGuard PC

PRODUCT CODE	ORDERING ABBREVIATION	LAMP LENGTH	PKG. QTY.	WATTS	TYPE	PIN	AVG RATED LIFE	CCT (K)	CRI	APPROX LUMENS
SYLVANIA T6 PROGUARD PC										
42" 25 Watt Instant Start										
S24270	F42T6/WW	42	24	25	T6	Single Pin	7500	3032	52	1605
S24266	F42T6/CW	42	24	25	T6	Single Pin	7500	4200	60	1540
64" 38 Watt Instant Start										
S26466	F64T6/CW	64	24	38	T6	Single Pin	7500	4200	60	2465

Sylvania T8 ProGuard PC

PRODUCT CODE	ORDERING ABBREVIATION	LAMP LENGTH	PKG. QTY.	WATTS	TYPE	PIN	AVG RATED LIFE	CCT (K)	CRI	APPROX LUMENS
SYLVANIA T8 PROGUARD PC 12"- 36"										
PREHEAT LAMPS STANDARD (Starter Req)										
S21766	F13T8/CW	12	24	13	T8	Med Bipin	7500	4200	60	460
S21486	F14T8/CW	15	24	14	T8	Med Bipin	7500	4200	60	645
S21488	F14T8/D	15	24	14	T8	Med Bipin	7500	6500	76	560
S21610	F15T8/D830	18	24	15	T8	Med Bipin	7500	3000	82	845
S21701	F15T8/WW	18	24	15	T8	Med Bipin	7500	3000	52	735
S21609	F15T8/D35	18	24	15	T8	Med Bipin	7500	3500	70	845
S21616	F15T8/CW	18	24	15	T8	Med Bipin	7500	4200	60	720
S21600	F15T8/D	18	24	15	T8	Med Bipin	7500	6500	76	655
S23014	F18T8CW/K24	24	24	18	T8	Med Bipin	7500	4200	60	1035
S23027	F18T8CW/K26	26	24	18	T8	Med Bipin	7500	4200	60	1080
S23028	F18T8CW/K28	28	24	18	T8	Med Bipin	7500	4200	60	1130
S23030	F18T8CW/K30	30	24	18	T8	Med Bipin	7500	4200	60	1200
S23701	F30T8/WW	36	24	30	T8	Med Bipin	7500	3000	52	1870
S23116	F30T8/CW	36	24	30	T8	Med Bipin	7500	4200	60	1895
S23100	F30T8/D	36	24	30	T8	Med Bipin	7500	6500	76	1655
24" 17 Watt OCTRON 800 SERIES XPS										
S22150	FO17/830/XPS/ECO	24	30	17	T8	Med Bipin	40000	3000	85	1315
S22151	FO17/835/XPS/ECO	24	30	17	T8	Med Bipin	40000	3500	85	1315
S22152	FO17/841/XPS/ECO	24	30	17	T8	Med Bipin	40000	4100	85	1315
24" 17 Watt OCTRON 800 SERIES XP										
S21785	FO17/830/XP/ECO	24	30	17	T8	Med Bipin	40000	3000	85	1290
S21778	FO17/835/XP/ECO	24	30	17	T8	Med Bipin	40000	3500	85	1290
S21907	FO17/841/XP/ECO	24	30	17	T8	Med Bipin	40000	4100	85	1290

CONTINUED...



EncapSulite® International Inc. takes great pride in being the ONLY safety coater in the United States able to provide a coating that is both UL Recognized for Safety and UL-EPH Certified for Food Applications. The UL-EPH certification and the UL Recognized component recognition for the coating insure that we are in compliance with all FDA, USDA and OSHA requirements.

COATING ONLY PRICING AVAILABLE FOR CUSTOMER SUPPLIED LAMPS UPON REQUEST.

Sylvania T8 ProGuard PC (continued)

PRODUCT CODE	ORDERING ABBREVIATION	LAMP LENGTH	PKG. QTY.	WATTS	TYPE	PIN	AVG RATED LIFE	CCT (K)	CRI	APPROX LUMENS
SYLVANIA T8 PROGUARD PC 12"- 36" (continued)										
S22193	FO17/850/XP/ECO	24	30	17	T8	Med Bipin	40000	5000	85	1290
S21718	FO17/865/XP/ECO	24	30	17	T8	Med Bipin	40000	6500	85	1175
24" 17 Watt OCTRON 800 SERIES										
S22135	FO17/830/ECO	24	30	17	T8	Med Bipin	30000	3000	82	1270
S22136	FO17/835/ECO	24	30	17	T8	Med Bipin	30000	3500	82	1270
S22137	FO17/841/ECO	24	30	17	T8	Med Bipin	30000	4100	82	1270
36" 25 Watt OCTRON 800 SERIES XPS										
S22153	FO25/830/XPS/ECO	36	30	25	T8	Med Bipin	40000	3000	85	2070
S22154	FO25/835/XPS/ECO	36	30	25	T8	Med Bipin	40000	3500	85	2070
S22155	FO25/841/XPS/ECO	36	30	25	T8	Med Bipin	40000	4100	85	2070
36" 25 Watt OCTRON 800 SERIES XP										
S21910	FO25/830/XP/ECO	36	30	25	T8	Med Bipin	40000	3000	85	2045
S21776	FO25/835/XP/ECO	36	30	25	T8	Med Bipin	40000	3500	85	2045
S21774	FO25/841/XP/ECO	36	30	25	T8	Med Bipin	40000	4100	85	2045
S22194	FO25/850/XP/ECO	36	30	25	T8	Med Bipin	40000	5000	85	2045
S21719	FO25/865/XP/ECO	36	30	25	T8	Med Bipin	40000	6500	85	2045
36" 25 Watt OCTRON 800 SERIES										
S22138	FO25/830/ECO	36	30	25	T8	Med Bipin	30000	3000	82	2020
S22139	FO25/835/ECO	36	30	25	T8	Med Bipin	30000	3500	82	2020
S22140	FO25/841/ECO	36	30	25	T8	Med Bipin	30000	4100	82	2020
SYLVANIA T8 PROGUARD PC 48" 25 WATTS										
48" 25 Watt OCTRON 800 Series XP SS										
S22232	FO32/25W/830/XP/SS/ECO	48	30	25	T8	Med Bipin	40000	3000	85	2350
S22233	FO32/25W/835/XP/SS/ECO	48	30	25	T8	Med Bipin	40000	3500	85	2350
S22234	FO32/25W/841/XP/SS/ECO	48	30	25	T8	Med Bipin	40000	4100	85	2350
S22235	FO32/25W/850/XP/SS/ECO	48	30	25	T8	Med Bipin	40000	5000	81	2350
48" 25 Watt OCTRON 800 Series XV SS										
S22449	FO32/25W/835/XV/SS/ECO	48	30	25	T8	Med Bipin	40000	3500	83	2255
S22450	FO32/25W/841/XV/SS/ECO	48	30	25	T8	Med Bipin	40000	4100	83	2255
S22451	FO32/25W/850/XV/SS/ECO	48	30	25	T8	Med Bipin	40000	5000	81	2255
SYLVANIA T8 PROGUARD PC 48" 28 WATTS										
48" 28 Watt OCTRON 800 Series XP SS										
S22177	FO28/830/XP/SS/ECO	48	30	28	T8	Med Bipin	40000	3000	85	2560
S22178	FO28/835/XP/SS/ECO	48	30	28	T8	Med Bipin	40000	3500	85	2560
S22179	FO28/841/XP/SS/ECO	48	30	28	T8	Med Bipin	40000	4100	85	2560
S22184	FO28/850/XP/SS/ECO	48	30	28	T8	Med Bipin	40000	5000	81	2560
48" 28 Watt OCTRON 800 Series XV SS										
S21429	FO28/830/XV/SS/ECO	48	30	28	T8	Med Bipin	40000	3000	83	2445

CONTINUED...

COATING ONLY PRICING AVAILABLE FOR CUSTOMER SUPPLIED LAMPS UPON REQUEST.

Sylvania T8 ProGuard PC (continued)

PRODUCT CODE	ORDERING ABBREVIATION	LAMP LENGTH	PKG. QTY.	WATTS	TYPE	PIN	AVG RATED LIFE	CCT (K)	CRI	APPROX LUMENS
S21420	FO28/835/XV/SS/ECO	48	30	28	T8	Med Bipin	40000	3500	83	2445
S21421	FO28/841/XV/SS/ECO	48	30	28	T8	Med Bipin	40000	4100	83	2445
S21422	FO28/850/XV/SS/ECO	48	30	28	T8	Med Bipin	40000	5000	81	2445
SYLVANIA T8 PROGUARD PC 48" 32 WATTS										
48" 32 Watt OCTRON 800 Series XP SS										
S21680	FO32/830/XPS/ECO	48	30	32	T8	Med Bipin	40000	3000	85	2915
S21697	FO32/835/XPS/ECO	48	30	32	T8	Med Bipin	40000	3500	85	2915
S21681	FO32/841/XPS/ECO	48	30	32	T8	Med Bipin	40000	4100	85	2915
S21660	FO32/850/XPS/ECO	48	30	32	T8	Med Bipin	40000	5000	81	2820
S21659	FO32/865/XPS/ECO	48	30	32	T8	Med Bipin	40000	6500	81	2725
48" 32 Watt OCTRON 800 Series XP										
S21759	FO32/830/XP/ECO	48	30	32	T8	Med Bipin	40000	3000	85	2820
S21763	FO32/835/XP/ECO	48	30	32	T8	Med Bipin	40000	3500	85	2820
S21767	FO32/841/XP/ECO	48	30	32	T8	Med Bipin	40000	4100	85	2820
S22026	FO32/850/XP/ECO	48	30	32	T8	Med Bipin	40000	5000	85	2820
S21720	FO32/865/XP/ECO	48	30	32	T8	Med Bipin	40000	6500	85	2680
48" 32 Watt OCTRON 800 Series XV										
S21427	FO32/830/XV/ECO	48	30	32	T8	Med Bipin	40000	3000	83	2725
S20066	FO32/835/XV/ECO	48	30	32	T8	Med Bipin	40000	3500	83	2725
S20067	FO32/841/XV/ECO	48	30	32	T8	Med Bipin	40000	4100	83	2725
S20068	FO32/850/XV/ECO	48	30	32	T8	Med Bipin	40000	5000	81	2725
48" 32 Watt OCTRON 800 Series										
S21777	FO32/830/ECO	48	30	32	T8	Med Bipin	30000	3000	85	2775
S21779	FO32/835/ECO	48	30	32	T8	Med Bipin	30000	3500	85	2775
S21781	FO32/841/ECO	48	30	32	T8	Med Bipin	30000	4100	85	2775
S22143	FO32/850/ECO	48	30	32	T8	Med Bipin	30000	5000	81	2775
SYLVANIA T8 PROGUARD PC 60" - 96"										
60" 40 Watt OCTRON 800 Series XP										
S21912	FO40/830/XP/ECO	60	30	40	T8	Med Bipin	40000	3000	85	3525
S21911	FO40/835/XP/ECO	60	30	40	T8	Med Bipin	40000	3500	85	3525
S21916	FO40/841/XP/ECO	60	30	40	T8	Med Bipin	40000	4100	85	3525
S21721	FO40/865/XP/ECO	60	30	40	T8	Med Bipin	40000	6500	85	3430
60" 40 Watt OCTRON 800 Series										
S22144	FO40/830/ECO	60	30	40	T8	Med Bipin	30000	3000	82	3430
S22145	FO40/835/ECO	60	30	40	T8	Med Bipin	30000	3500	82	3430
S22146	FO40/841/ECO	60	30	40	T8	Med Bipin	30000	4100	82	3430
96" 54 Watt OCTRON 800 Series XP SS										
S22100	FO96/54W/835/XP/SS/ECO	96	24	54	T8	Single Pin	36000	3500	85	5360
S22101	FO96/54W/841/XP/SS/ECO	96	24	54	T8	Single Pin	36000	4100	85	5360
S22347	FO96/54W/850/XP/SS/ECO	96	24	54	T8	Single Pin	36000	5000	81	5360

CONTINUED...

COATING ONLY PRICING AVAILABLE FOR CUSTOMER SUPPLIED LAMPS UPON REQUEST.

Sylvania T8 ProGuard PC (continued)

PRODUCT CODE	ORDERING ABBREVIATION	LAMP LENGTH	PKG. QTY.	WATTS	TYPE	PIN	AVG RATED LIFE	CCT (K)	CRI	APPROX LUMENS
SYLVANIA T8 PROGUARD PC 60" - 96" (continued)										
96" 50 Watt OCTRON 800 Series XP SS										
S22420	FO96/50W/835/XP/SS/ECO	96	24	50	T8	Single Pin	36000	3500	85	5075
S22421	FO96/50W/841/XP/SS/ECO	96	24	50	T8	Single Pin	36000	4100	85	5075
96" 59 Watt OCTRON 800 Series XP										
S22036	FO96/830/XP/ECO	96	24	59	T8	Single Pin	36000	3000	85	5730
S22034	FO96/835/XP/ECO	96	24	59	T8	Single Pin	36000	3500	85	5730
S22032	FO96/841/XP/ECO	96	24	59	T8	Single Pin	36000	4100	85	5730
S22174	FO96/850/XP/ECO	96	24	59	T8	Single Pin	36000	5000	85	5730
96" 50 Watt OCTRON 800 Series XV SS										
S21426	FO96/50W/835/XV/SS/ECO	96	24	50	T8	Single Pin	36000	3500	83	4795
S21425	FO96/50W/841/XV/SS/ECO	96	24	50	T8	Single Pin	36000	4100	83	4795
96" 54 Watt OCTRON 800 Series XV SS										
S21423	FO96/54W/835/XV/SS/ECO	96	24	54	T8	Single Pin	36000	3500	83	5075
S21424	FO96/54W/841/XV/SS/ECO	96	24	54	T8	Single Pin	36000	4100	83	5075
96" 59 Watt OCTRON 800 Series										
S22147	FO96/830/ECO	96	24	59	T8	Single Pin	30000	3000	82	5430
S22148	FO96/835/ECO	96	24	59	T8	Single Pin	30000	3500	82	5430
S22149	FO96/841/ECO	96	24	59	T8	Single Pin	30000	4100	82	5430
S22173	FO96/850/ECO	96	24	59	T8	Single Pin	30000	5000	81	5430
SYLVANIA T8 U-SHAPED PROGUARD PC										
S22055	FBO32/835/XP/6/ECO	24	16	32	T8	Med-Bipin	24000	3500	85	2725
S22057	FBO32/841/XP/6/ECO	24	16	32	T8	Med-Bipin	24000	4100	85	2725
S21663	FBO32/830/6/ECO	24	16	32	T8	Med-Bipin	20000	3000	82	2680
S21670	FBO32/835/6/ECO	24	16	32	T8	Med-Bipin	20000	3500	82	2680
S21671	FBO32/841/6/ECO	24	16	32	T8	Med-Bipin	20000	4100	82	2680
SYLVANIA T12 PROGUARD PC										
15" 14 Watt PREHEAT (Starter Req.)										
S21409	F14T12/CW	15	30	14	T12	Med Bipin	9000	4200	60	565
18" 15 Watt PREHEAT (Starter Req.)										
S21542	F15T12/WW	18	30	15	T12	Med Bipin	9000	3000	52	670
S21532	F15T12/CW	18	30	15	T12	Med Bipin	9000	4200	60	655
24" 20 Watt PREHEAT (Starter Req.)										
S22131	F20T12/WW	24	30	20	T12	Med Bipin	9000	3000	52	1090
S22251	F20T12/D35	24	30	20	T12	Med Bipin	9000	3500	70	1170
S22078	F20T12/CW	24	30	20	T12	Med Bipin	9000	4200	60	1045
S22083	F20T12/D	24	30	20	T12	Med Bipin	9000	6500	76	935
24" 21 Watt Slimline Instant Start										
S22403	F24T12/CW	24	30	21	T12	Single Pin	7500	4200	60	1000

CONTINUED...

COATING ONLY PRICING AVAILABLE FOR CUSTOMER SUPPLIED LAMPS UPON REQUEST.

Sylvania T12 ProGuard PC

PRODUCT CODE	ORDERING ABBREVIATION	LAMP LENGTH	PKG. QTY.	WATTS	TYPE	PIN	AVG RATED LIFE	CCT (K)	CRI	APPROX LUMENS
28" 25 Watt PREHEAT (Starter Req.)										
S22527	F25T12/CW/28	28	30	25	T12	Med Bipin	7500	4200	60	1455
30" 25 Watt PREHEAT (Starter Req.)										
S22333	F25T12/WW/30	30	30	25	T12	Med Bipin	7500	3000	52	1525
S22528	F25T12/CW/30	30	30	25	T12	Med Bipin	7500	4200	60	1505
33" 25 Watt PREHEAT (Starter Req.)										
S22529	F25T12/CW/33	33	30	25	T12	Med Bipin	7500	4200	60	1610
36" 25 Watt PREHEAT (Starter Req.)										
S23472	F25T12/CW/RS/SS	36	30	25	T12	Med Bipin	18000	4200	60	1635
36" 30 Watt Rapid Start										
S23476	F30T12/CW/RS	36	30	30	T12	Med Bipin	18000	4200	60	1870
S23478	F30T12/D/RS	36	30	30	T12	Med Bipin	18000	6500	76	1615
36" 30 Watt Instant Start										
S23618	F36T12/CW	36	30	30	T12	Single Pin	7500	4200	60	1735
48" 34 Watt Rapid Start SS										
S24588	F34CW/SS	48	30	34	T12	Med Bipin	28800	4100	87	1655
S24599	F34/DX/SS	48	30	34	T12	Med Bipin	28800	6500	88	1565
48" 40 Watt Rapid Start										
S24441	F40CW	48	30	40	T12	Med Bipin	28800	4100	87	1850
S24683	F40DSgN50	48	30	40	T12	Med Bipin	28800	5000	90	1890
S24477	F40/DX	48	30	40	T12	Med Bipin	28800	6500	88	1770
48" 39 Watt Instant Start										
S24832	F48T12/D35	48	30	39	T12	Single Pin	9000	3500	70	2760
S24827	F48T12/CW/ECO	48	30	39	T12	Single Pin	9000	4200	60	2480
S24830	F48T12/CW	48	30	39	T12	Single Pin	9000	4200	60	2480
60" 50 Watt Slimline Instant Start										
S26001	F60T12/CW	60	30	50	T12	Single Pin	12000	4200	60	3255
S26002	F60T12/D	60	30	50	T12	Single Pin	12000	6500	76	2640
64" 52 Watt Slimline Instant Start										
S26404	F64T12/D	64	30	52	T12	Single Pin	12000	6500	76	2905
72" 55 Watt Slimline Instant Start										
S27250	F72T12/D35	72	15	55	T12	Single Pin	12000	3500	70	4325
S27256	F72T12/CW	72	15	55	T12	Single Pin	12000	4200	60	3960
S27259	F72T12/D	72	15	55	T12	Single Pin	12000	6500	76	3430
60" 50 Watt Slimline Instant Start										
S26001	F60T12/CW	60	30	50	T12	Single Pin	12000	4200	60	3255
S26002	F60T12/D	60	30	50	T12	Single Pin	12000	6500	76	2640

CONTINUED...

COATING ONLY PRICING AVAILABLE FOR CUSTOMER SUPPLIED LAMPS UPON REQUEST.

Sylvania T12 ProGuard PC (continued)

PRODUCT CODE	ORDERING ABBREVIATION	LAMP LENGTH	PKG. QTY.	WATTS	TYPE	PIN	AVG RATED LIFE	CCT (K)	CRI	APPROX LUMENS
SYLVANIA T12 PROGUARD (continued)										
64" 52 Watt Slimline Instant Start										
S26404	F64T12/D	64	30	52	T12	Single Pin	12000	6500	76	2905
72" 55 Watt Slimline Instant Start										
S27250	F72T12/D35	72	15	55	T12	Single Pin	12000	3500	70	4325
S27256	F72T12/CW	72	15	55	T12	Single Pin	12000	4200	60	3960
S27259	F72T12/D	72	15	55	T12	Single Pin	12000	6500	76	3430
96" 75 Watt Slimline Instant Start										
S29478	F96T12/CWX	96	15	75	T12	Single Pin	12000	4100	87	3870
S23504	F96T12/WX	96	15	75	T12	Single Pin	12000	3500	87	3780
S29833	F96T12/DSgN50	96	15	75	T12	Single Pin	12000	5000	90	3870
S29500	F96T12/DX	96	15	75	T12	Single Pin	12000	6500	88	3835
96" 60 Watt Slimline Instant Start										
S29828	F96T12/DX/SS	96	15	60	T12	Single Pin	18000	6500	88	3400
SYLVANIA T12HO PROGUARD PC										
24" 35 Watt Rapid Start HO										
S25313	F24T12/CW/HO	24	30	35	T12	RDC	9000	4200	60	1335
S25314	F24T12/D/HO	24	30	35	T12	RDC	9000	6500	76	1135
30" 42 Watt Rapid Start HO										
S25322	F30T12/CW/HO	30	30	42	T12	RDC	9000	4200	60	1825
36" 45 Watt Rapid Start HO										
S25333	F36T12/CW/HO	36	30	45	T12	RDC	9000	4200	60	2310
S25332	F36T12/D/HO	36	30	45	T12	RDC	9000	6500	76	2025
42" 55 Watt Rapid Start HO										
S25342	F42T12/CW/HO	42	30	55	T12	RDC	9000	4200	60	2755
48" 60 Watt Rapid Start HO										
S25146	F48T12/CW/HO	48	30	60	T12	RDC	12000	4200	60	3280
60" 75 Watt Rapid Start HO										
S25126	F60T12/CW/HO	60	30	75	T12	RDC	12000	4200	60	4210
S25120	F60T12/D/HO	60	30	75	T12	RDC	12000	6500	76	3825
64" 80 Watt Rapid Start HO										
S25352	F64T12/CW/HO	64	30	80	T12	RDC	12000	4200	60	4660
S25353	F64T12/D/HO	64	30	80	T12	RDC	12000	6500	76	3970
72" 85 Watt Rapid Start HO										
S25176	F72T12/CW/HO	72	15	85	T12	RDC	12000	4200	60	5065
S25189	F72T12/D/HO	72	15	85	T12	RDC	12000	6500	76	4495
84" 100 Watt Rapid Start HO										
S25384	F84T12/CW/HO	84	15	100	T12	RDC	12000	4200	60	6115
S25385	F84T12/D/HO	84	15	100	T12	RDC	12000	6500	76	5425

CONTINUED...

COATING ONLY PRICING AVAILABLE FOR CUSTOMER SUPPLIED LAMPS UPON REQUEST.

Sylvania T12 ProGuard PC (continued)

PRODUCT CODE	ORDERING ABBREVIATION	LAMP LENGTH	PKG. QTY.	WATTS	TYPE	PIN	AVG RATED LIFE	CCT (K)	CRI	APPROX LUMENS
96" 110 Watt Rapid Start HO										
S25129	F96T12/CW/HO/CT/ECO	96	15	110	T12	RDC	12000	4200	60	6965
S25134	F96T12/CW/HO/COLDTEMP	96	15	110	T12	RDC	12000	4200	60	6965
S25135	F96T12/D/HO/COLDTEMP	96	15	110	T12	RDC	12000	6500	76	6155
S25164	F96T12/DSgN50/HO	96	15	110	T12	RDC	12000	5000	90	5225
SYLVANIA T12VHO PROGUARD PC										
48" 115 Watt Rapid Start VHO										
S25248	F48T12/CW/VHO	48	30	115	T12	RDC	10000	4200	60	4620
96" 215 Watt Rapid Start VHO										
S25209	F96T12/CW/VHO	96	15	215	T12	RDC	10000	4200	60	9800

Philips T8 ProGuard PC

PRODUCT CODE	ORDERING ABBREVIATION	LAMP LENGTH	PKG. QTY.	WATTS	TYPE	PIN	AVG RATED LIFE	CCT (K)	CRI	APPROX LUMENS
PHILIPS T8 PROGUARD PC 18" - 36"										
18" 15 Watt PREHEAT LAMPS STANDARD (Starter Req)										
P407205	F15T8D	18	25	15	T8	Med Bipin	7500	6500	73	660
P407197	F15T8/CW	18	25	15	T8	Med Bipin	7500	4100	59	765
36" 30 Watt PREHEAT LAMPS STANDARD (Starter Req)										
P281477	F30T8/CW/ALTO	36	25	30	T8	Med Bipin	7500	4100	59	2000
24" 17 Watt 800 Series ADVANTAGE HIGH LUMEN ALTO II										
P281303	F17T8/ADV830/ALTO	24	30	17	T8	Med Bipin	30000	3000	85	1450
P281311	F17T8/ADV835/ALTO	24	30	17	T8	Med Bipin	30000	3500	84	1450
P281329	F17T8/ADV841/ALTO	24	30	17	T8	Med Bipin	30000	4100	82	1450
24" 17 Watt 800 Series Long Life ALTO II										
P280933	F17T8/TL830/PLUS/ALTO	24	30	17	T8	Med Bipin	36000	3000	85	1330
P280941	F17T8/TL835/PLUS/ALTO	24	30	17	T8	Med Bipin	36000	3500	85	1330
P280958	F17T8/TL841/PLUS/ALTO	24	30	17	T8	Med Bipin	36000	4100	85	1330
P280966	F17T8/TL850/PLUS/ALTO	24	30	17	T8	Med Bipin	36000	5000	82	1260
P281931	F17T8/TL865/PLUS/ALTO	24	30	17	T8	Med Bipin	36000	6500	82	1210
24" 17 Watt 800 Series ALTO II										
P281881	F17T8/TL835/ALTO	24	30	17	T8	Med Bipin	30000	3500	84	1280
P281899	F17T8/TL841/ALTO	24	30	17	T8	Med Bipin	30000	4100	82	1280
P280909	F17T8/TL850/ALTO	24	30	17	T8	Med Bipin	30000	5000	82	1235
36" 25 Watt 800 Series ADVANTAGE HIGH LUMEN ALTO II										
P281402	F25T8/ADV835/ALTO	36	30	25	T8	Med Bipin	30000	3500	84	2300
P281428	F25T8/ADV841/ALTO	36	30	25	T8	Med Bipin	30000	4100	82	2300

CONTINUED...

COATING ONLY PRICING AVAILABLE FOR CUSTOMER SUPPLIED LAMPS UPON REQUEST.

Philips T8 ProGuard PC (continued)

PRODUCT CODE	ORDERING ABBREVIATION	LAMP LENGTH	PKG. QTY.	WATTS	TYPE	PIN	AVG RATED LIFE	CCT (K)	CRI	APPROX LUMENS
PHILIPS T8 PROGUARD PC 18" - 36" (continued)										
36" 25 Watt 800 Series Long Life ALTO II										
P280974	F25T8/TL830/PLUS/ALTO	36	30	25	T8	Med Bipin	36000	3000	85	2115
P280982	F25T8/TL835/PLUS/ALTO	36	30	25	T8	Med Bipin	36000	3500	85	2115
P280990	F25T8/TL841/PLUS/ALTO	36	30	25	T8	Med Bipin	36000	4100	85	2115
36" 25 Watt 800 Series ALTO II										
P281907	F25T8/TL835/ALTO	36	30	25	T8	Med Bipin	30000	3500	85	2040
P281915	F25T8/TL841/ALTO	36	30	25	T8	Med Bipin	30000	4100	84	2040
P280925	F25T8/TL850/ALTO	36	30	25	T8	Med Bipin	30000	5000	82	2040
PHILIPS T8 PROGUARD PC 48" 25 WATTS										
48" 25 Watt 800 Series ENERGY ADVANTAGE ALTO II										
P282046	F32T8/ADV830/XEW/ALTO 25 Watt	48	30	25	T8	Med Bipin	38000	3000	85	2500
P282095	F32T8/ADV835/XEW/ALTO 25 Watt	48	30	25	T8	Med Bipin	38000	3500	84	2500
P280784	F32T8/ADV841/XEW/ALTO 25 Watt	48	30	25	T8	Med Bipin	38000	4100	82	2500
P280792	F32T8/ADV850/XEW/ALTO 25 Watt	48	30	25	T8	Med Bipin	38000	5000	82	2400
PHILIPS T8 PROGUARD PC 48" 28 WATTS										
48" 28 Watt 800 Series ENERGY ADVANTAGE ALTO II										
P281014	F32T8/ADV830/EW/ALTO 28 Watt	48	30	28	T8	Med Bipin	38000	3000	85	2725
P281022	F32T8/ADV835/EW/ALTO 28 Watt	48	30	28	T8	Med Bipin	38000	3500	84	2725
P281030	F32T8/ADV841/EW/ALTO 28 Watt	48	30	28	T8	Med Bipin	38000	4100	82	2725
P281055	F32T8/ADV850/EW/ALTO 28 Watt	48	30	28	T8	Med Bipin	38000	5000	82	2675
PHILIPS T8 PROGUARD 48" 32 WATTS										
48" 32 Watt 800 Series ADVANTAGE HIGH LUMEN ALTO II										
P280800	F32T8/ADV830/ALTO	48	30	32	T8	Med Bipin	30000	3000	85	3000
P280818	F32T8/ADV835/ALTO	48	30	32	T8	Med Bipin	30000	3500	84	3000
P280859	F32T8/ADV841/ALTO	48	30	32	T8	Med Bipin	30000	4100	82	3000
P280891	F32T8/ADV850/ALTO	48	30	32	T8	Med Bipin	30000	5000	82	2910
48" 32 Watt 800 SERIES LONG LIFE PLUS ALTO II										
P281659	F32T8/TL830/PLUS/ALTO	48	30	32	T8	Med Bipin	36000	3000	85	2800
P281675	F32T8/TL835/PLUS/ALTO	48	30	32	T8	Med Bipin	36000	3500	85	2800
P281790	F32T8/TL841/PLUS/ALTO	48	30	32	T8	Med Bipin	36000	4100	85	2800
P281816	F32T8/TL850/PLUS/ALTO	48	30	32	T8	Med Bipin	36000	5000	82	2710
48" 32 Watt 800 Series ALTO II										
P281519	F32T8/TL830/ALTO	48	30	32	T8	Med Bipin	30000	3000	85	2710
P281535	F32T8/TL835/ALTO	48	30	32	T8	Med Bipin	30000	3500	84	2710
P281550	F32T8/TL841/ALTO	48	30	32	T8	Med Bipin	30000	4100	82	2710
P281568	F32T8/TL850/ALTO	48	30	32	T8	Med Bipin	30000	5000	82	2710
PHILIPS T8 PROGUARD PC 60" - 96"										
60" 40 Watt 800 Series ALTO II										
P368472	F40T8/TL841/ALTO	60	25	40	T8	Med Bipin	30000	4100	82	3500

CONTINUED...

COATING ONLY PRICING AVAILABLE FOR CUSTOMER SUPPLIED LAMPS UPON REQUEST.

Philips T8 ProGuard PC (continued)

PRODUCT CODE	ORDERING ABBREVIATION	LAMP LENGTH	PKG. QTY.	WATTS	TYPE	PIN	AVG RATED LIFE	CCT (K)	CRI	APPROX LUMENS
96" 51 Watt 800 Series ENERGY ADVANTAGE ALTO II										
P163212	F96T8/ADV835/XEW/ALTO 51W	96	25	51	T8	Single Pin	30000	3500	85	4940
P163311	F96T8/ADV841/XEW/ALTO 51W	96	25	51	T8	Single Pin	30000	4100	85	4940
P164574	F96T8/ADV850/XEW/ALTO 51W	96	25	51	T8	Single Pin	30000	5000	82	4840
96" 59 Watt 800 Series Plus Slimline ALTO										
P236844	F96T8/TL835/PLUS/ALTO	96	25	59	T8	Single Pin	30000	3500	85	5490
P236851	F96T8/TL841/PLUS/ALTO	96	25	59	T8	Single Pin	30000	4100	85	5490
P236869	F96T8/TL850/PLUS/ALTO	96	25	59	T8	Single Pin	30000	5000	82	5375
PHILIPS T8HO PROGUARD PC										
48" 44 Watt 800 Series Plus HO ALTO										
P236794	F48T8/TL841/HO/ALTO	48	25	44	T8	RDC	18000	4100	85	3600
72" 65 Watt 800 Series Plus HO ALTO										
P236802	F72T8/TL841/HO/ALTO	72	25	65	T8	RDC	18001	4100	86	5490
96" 86 Watt 800 Series Plus HO ALTO										
P236877	F96T8/TL835/HO/PLUS/ALTO	96	25	86	T8	RDC	30000	3500	85	7625
P236885	F96T8/TL841/HO/PLUS/ALTO	96	25	86	T8	RDC	30000	4100	85	7625
P236893	F96T8/TL850/HO/PLUS/ALTO	96	25	86	T8	RDC	30000	5000	82	7550
PHILIPS U-BENT T8										
P378976	FB32T8/TL830/6/ALTO	247/16	20	32	T8	Med Bipin	30000	3000	85	2535
P379008	FB32T8/TL835/6/ALTO	247/16	20	32	T8	Med Bipin	30000	3500	85	2535
P379024	FB32T8/TL841/6/ALTO	247/16	20	32	T8	Med Bipin	30000	4100	85	2535
P378802	FB32T8/TL850/6/ALTO	247/16	20	32	T8	Med Bipin	30000	5000	82	2450

Philips T12 ProGuard PC

PRODUCT CODE	ORDERING ABBREVIATION	LAMP LENGTH	PKG. QTY.	WATTS	TYPE	PIN	AVG RATED LIFE	CCT (K)	CRI	APPROX LUMENS
PHILIPS T12 PROGUARD										
15" 14 Watt PREHEAT (Starter Req.)										
P141515	F14T12/CW	15	30	14	T12	Med Bipin	9000	4100	59	590
18" 15 Watt PREHEAT (Starter Req.)										
P141499	F15T12/CW 30PK	18	30	15	T12	Med Bipin	9000	4100	62	695
24" 20 Watt PREHEAT (Starter Req.)										
P273284	F20T12/D/ALTO	24	30	20	T12	Med Bipin	9000	6500	73	960
P273326	F20T12/CW/ALTO	24	30	20	T12	Med Bipin	9000	4100	62	1050
P273490	F20T12/WW/ALTO	24	30	20	T12	Med Bipin	9000	3000	53	1100
36" 30 Watt Rapid Start ALTO										
P376491	F30T12/D/RS/ALTO	36	30	30	T12	Med Bipin	18000	6500	73	1700
P272427	F30T12/CW/RS/ALTO	36	30	30	T12	Med Bipin	18000	4100	62	1900
P132217	F30T12/WW/RS/ALTO	36	30	30	T12	Med Bipin	18000	3000	53	1950

CONTINUED...

COATING ONLY PRICING AVAILABLE FOR CUSTOMER SUPPLIED LAMPS UPON REQUEST.

Philips T12 ProGuard PC (continued)

PRODUCT CODE	ORDERING ABBREVIATION	LAMP LENGTH	PKG. QTY.	WATTS	TYPE	PIN	AVG RATED LIFE	CCT (K)	CRI	APPROX LUMENS
PHILIPS T12 PROGUARD (continued)										
48" 39 Watt Slimline ALTO										
P362194	F48T12/D/ALTO	48	15	39	T12	Single Pin	9000	6500	73	2220
P363218	F48T12/CW ALTO 15PK	48	15	39	T12	Single Pin	9000	4100	62	2600
48" 40 Watt Rapid Start ALTO										
P423186	F40T12/NX/ALTO	48	30	40	T12	Med Bipin	20000	3500	88	2200
P423889	F40T12/CWSupreme/ALTO	48	30	40	T12	Med Bipin	20000	4100	89	2250
P423129	F40T12/CWSupreme/PLUS/ALTO	48	30	40	T12	Med Bipin	24000	4100	89	2220
P423897	F40T12/C50Supreme/ALTO	48	30	40	T12	Med Bipin	20000	5000	90	2175
P273599	F40/DX/ALTO	48	30	40	T12	Med Bipin	20000	6500	90	2025
72" 56 Watt Slimline Instant Start ALTO										
P369850	F72T12/D/ALTO	72	15	56	T12	Single Pin	12000	6500	73	3350
P369892	F72T12/CW/ALTO	72	15	56	T12	Single Pin	12000	4100	59	3900
96" 75 Watt Slimline Instant Start ALTO										
P423053	F96T12/NX/ALTO	96	15	75	T12	Single Pin	12000	3500	88	4250
P423194	F96T12/CWSupreme/ALTO	96	15	75	T12	Single Pin	12000	4100	89	4250
P423871	F96T12/C50Supreme/ALTO	96	15	75	T12	Single Pin	12000	5000	90	4350
P372821	F96T12/DX/ALTO	96	15	75	T12	Single Pin	12000	6500	90	4200
PHILIPS T12HO PROGUARD PC										
24" 35 Watt HO										
P141457	F24T12/CW/HO	24	30	35	T12	RDC	9000	4100	59	1390
30" 40 Watt HO										
P141424	F30T12/CW/HO	30	30	40	T12	RDC	9000	4100	59	1900
36" 50 Watt HO										
P141382	F36T12/D/HO	36	30	50	T12	RDC	9000	6500	73	2150
P141390	F36T12/CW/HO	36	30	50	T12	RDC	9000	4100	59	2450
42" 55 Watt HO										
P141374	F42T12/CW/HO	42	30	55	T12	RDC	9000	4100	59	2950
48" 60 Watt HO ALTO										
P369843	F48T12/D/HO/ALTO	48	15	60	T12	RDC	12000	6500	73	3000
P369785	F48T12/CW/HO/ALTO	48	15	60	T12	RDC	12000	4100	59	3500
64" 80 Watt HO										
P355784	F64T12/CW/HO	64	15	80	T12	RDC	12000	4100	62	4850
72" 85 Watt HO ALTO										
P366534	F72T12/D/HO/ALTO	72	15	85	T12	RDC	12000	6500	73	4850
P366518	F72T12/CW/HO/ALTO	72	15	85	T12	RDC	12000	4100	59	5500
84" 100 Watt HO ALTO										
P234484	F84T12/CW/HO/ALTO	84	15	100	T12	RDC	12000	4100	62	6800
P234534	F84T12/D/HO/ALTO	84	15	100	T12	RDC	12000	6500	79	6000

CONTINUED...

COATING ONLY PRICING AVAILABLE FOR CUSTOMER SUPPLIED LAMPS UPON REQUEST.

Philips T12 ProGuard PC (continued)

PRODUCT CODE	ORDERING ABBREVIATION	LAMP LENGTH	PKG. QTY.	WATTS	TYPE	PIN	AVG RATED LIFE	CCT (K)	CRI	APPROX LUMENS
96" 110 Watt Low Temperature HO ALTO										
P381764	F96T12/CW/HO-O/ALTO	96	15	110	T12	RDC	12000	4100	59	7650
P381774	F96T12/D/HO-O/ALTO	96	15	110	T12	RDC	12000	6500	73	6800
96" 110 Watt HO ALTO										
P214890	F96T12/DX/HO	96	15	110	T12	RDC	12000	6500	82	5800
PHILIPS T12HO PROGUARD										
48" 110 Watt VHO										
P218198	F48T12/CW/VHO	48	15	110	T12	RDC	12000	4100	59	4950
96" 185 Watt VHO										
P342329	F96T12/CW/VHO/EW	96	15	185	T12	RDC	12000	4100	59	9000
96" 215 Watt VHO										
P342345	F96T12/CW/VHO	96	15	215	T12	RDC	12000	4100	59	10700
PHILIPS U-BENT T12										
P423095	FB40/T12/NX/6	247/16	12	40	T12	Med Bipin	18000	3500	90	1955
P423087	FB40/T12/CWSupreme/6	247/16	12	40	T12	Med Bipin	18000	4100	90	1955
P219931	FB40/DX/6	247/16	12	40	T12	Med Bipin	18000	6500	90	1950

GE T8 ProGuard PC

PRODUCT CODE	ORDERING ABBREVIATION	LAMP LENGTH	PKG. QTY.	WATTS	TYPE	PIN	AVG RATED LIFE	CCT (K)	CRI	APPROX LUMENS
GE T8 PROGUARD PC 12" - 36"										
PREHEAT LAMPS STANDARD (Starter Req)										
G10098	F13T8/CW	12	24	13	T8	Med BiPin	7500	4100	60	480
G10104	F14T8/CW	15	24	14	T8	Med BiPin	7500	4100	60	580
G17911	F15T8/SP35	18	24	15	T8	Med BiPin	7500	3500	75	850
G19643	F15T8/SP41	18	24	15	T8	Med BiPin	7500	4100	72	850
G19644	F15T8/SPX30	18	24	15	T8	Med BiPin	7500	3000	82	900
G19645	F15T8/SPX35	18	24	15	T8	Med BiPin	7500	3500	82	900
G10142	F15T8/CW	18	24	15	T8	Med BiPin	7500	4100	60	725
G10134	F15T8/D	18	24	15	T8	Med BiPin	7500	6500	75	615
G10147	F15T8/WW	18	24	15	T8	Med BiPin	7500	3000	52	745
24" 17 Watt Starcoat Ecolux SPX SERIES										
G45742	F17T8/SPX30/ECO	24	24	17	T8	Med BiPin	36000	3000	85	1280
G45747	F17T8/SPX35/ECO	24	24	17	T8	Med BiPin	36000	3500	85	1280
G45749	F17T8/SPX41/ECO	24	24	17	T8	Med BiPin	36000	4100	85	1280
36" 25 Watt Starcoat Ecolux SPX SERIES										
G45753	F25T8/SPX30/ECO	36	24	25	T8	Med BiPin	36000	3000	85	2040
G45755	F25T8/SPX35/ECO	36	24	25	T8	Med BiPin	36000	3500	85	2040
G45757	F25T8/SPX41/ECO	36	24	25	T8	Med BiPin	36000	4100	85	2040

CONTINUED...

COATING ONLY PRICING AVAILABLE FOR CUSTOMER SUPPLIED LAMPS UPON REQUEST.

GE T8 ProGuard PC (continued)

PRODUCT CODE	ORDERING ABBREVIATION	LAMP LENGTH	PKG. QTY.	WATTS	TYPE	PIN	AVG RATED LIFE	CCT (K)	CRI	APPROX LUMENS
GE T8 PROGUARD PC 48" 28 WATTS										
48" 28 Watt Ultra Max SPX SERIES										
G72863	F28T8/XL/SPX30/ECO	48	36	28	T8	Med BiPin	50000	3000	85	2515
G72864	F28T8/XL/SPX35/ECO	48	36	28	T8	Med BiPin	50000	3500	85	2515
G72866	F28T8/XL/SPX41/ECO	48	36	28	T8	Med BiPin	50000	4100	82	2515
G72867	F28T8/XL/SPX50/ECO	48	36	28	T8	Med BiPin	50000	5000	80	2515
G66346	F28T8/XL/SPX65/ECO	48	36	28	T8	Med BiPin	50000	6500	80	2440
GE T8 PROGUARD PC 48" 32 WATTS										
48" 32 Watt Starcoat Ecolux SPX SERIES										
G68850	F32T8/SPX30/ECO2	48	36	32	T8	Med BiPin	36000	3000	85	2770
G68851	F32T8/SPX35/ECO2	48	36	32	T8	Med BiPin	36000	3500	85	2770
G68852	F32T8/SPX41/ECO2	48	36	32	T8	Med BiPin	36000	4100	85	2770
G68853	F32T8/SPX50/ECO2	48	36	32	T8	Med BiPin	36000	5000	82	2755
G66342	F32T8/SPX65/ECO2	48	36	32	T8	Med BiPin	36000	6500	78	2755
GE T8 PROGUARD PC 60" - 96"										
60" 40 Watt Starcoat SPX SERIES										
G22660	F40T8/SPX30	60	24	40	T8	Med BiPin	20000	3000	84	3350
G22661	F40T8/SPX35	60	24	40	T8	Med BiPin	20000	3500	84	3350
G22662	F40T8/SPX41	60	24	40	T8	Med BiPin	20000	4100	84	3350
G40081	F58T8/841/PLY/XLR	60	25	58	T8	Med BiPin	20000	4000	85	4940
72" 35 Watt Instant Start Starcoat SERIES										
G10829	F72T8/CW	72	24	35	T8	Single Pin	7500	4100	60	2730
G10835	F72T8/WW 6PK	72	6	35	T8	Single Pin	7500	3000	52	2820
96" 59 Watt Extra-Life SPX Series										
G68868	F96T8/XL/SPX30/2	96	24	59	T8	Single Pin	30000	3000	85	5650
G68869	F96T8/XL/SPX35/2	96	24	59	T8	Single Pin	30000	3500	85	5650
G68870	F96T8/XL/SPX41/2	96	24	59	T8	Single Pin	30000	4100	85	5650
G68871	F96T8/XL/SPX50/2	96	24	59	T8	Single Pin	30000	5000	82	5650
GE T8HO PROGUARD PC										
96" 86 Watt Starcoat HO SPX Series										
G12533	F96T8/SPX35/HO	96	24	86	T8	RDC	18000	3500	85	7800
G12534	F96T8/SPX41/HO	96	24	86	T8	RDC	18000	4100	85	7800
G12535	F96T8/SPX50/HO	96	24	86	T8	RDC	18000	5000	82	7800

Safety Coated Fluorescent Lamps

Certifications

Encapsulite® Safety Coatings Comparison Chart

ULTRAGUARD	PROGUARD
DuPont FEP	Polycarbonate PC
Designed for T5, T5HO, T8 & T12 lamp types	Designed for standard T8 and T12 lamp types
Designed for Long Life Lamps in excess of 40,000 hours	Designed for lamps 24,000 hours or less
For use in open or closed fixtures including vapor or water proof fixtures	For use in open fixtures
Max ambient temperature is 400°F	Max Ambient temperature is 135°F
Excellent Chemical Resistance	Good Chemical Resistance (no ammonia or solvents)
Transmits UV Emissions	Blocks UV emissions (100-380nm)
UL recognized for Safety	UL recognized for Safety
UL EPH certified (Environmental and Public Health)	UL EPH certified (Environmental and Public Health)
Coating Warranty: Average Rated Life of Lamp	Coating Warranty: 1-Year

EncapSulite International's shatterproof safety coating is the leader in the lighting industry. The only safety coating UL Recognized for Safety and UL-EPH certified for environmental and public health. EncapSulite safety coated fluorescent lamps are acceptable for incidental food contact in federally inspected food, meat and poultry plants. The chemical constituents of the product and surface characteristics of the EncapSulite Safety Coatings are in compliance and meet current FDA, USDA and OSHA standards.

APPLICATIONS

Food processing areas, dairies, manufacturing areas, hospitals, bakeries, schools, gymnasiums, cafeterias, restaurants, poultry plants, and slaughter houses.

LOW COST - QUALITY PROTECTION

The design of the lamp requires no assembly and allows fast easy installation. The durable smooth coating is easy to clean with nothing more than a damp cloth. EncapSulite lamps are available in all lengths, T5 (5/8 inch), T6 (3/4 inch), T8 (1 inch), T10 (1-1/4 inch) and T12 (1-1/2 inch) diameters.

WE DELIVER

EncapSulite is committed to providing you with SOLUTIONS to your lighting requirements. EncapSulite products are problem solvers. You can be assured that EncapSulite will guarantee you fast, accurate delivery of your shatterproof fluorescent lamps.

COMPLIANCE DOCUMENTATION / LOW MERCURY CONTENT LAMPS / SAFETY & DISPOSAL OF ENCAPSULITE POLYMER SAFETY COATED LINEAR FLUORESCENT LAMPS

EncapSulite's linear fluorescent safety coatings are both UL Recognized & UL-EPH Certified: UL Recognized Safety Coating (UL File No. SA10645) - Safety and UL - EPH / Certification (UL File No. SA12675) - Food Applications

If in the rare case that an EncapSulite safety coated lamp is broken, virtually all of the glass, mercury and phosphors are contained inside the high temperature, high mechanical strength EncapSulite coating. Employees, products and manufacturing sites are totally protected. Disposal or recycling is safe and easy.

If an unprotected lamp is broken during maintenance, lamp changes or accidentally, your employees, food products and equipment can be exposed to broken glass, phosphors and mercury. Disposal of broken glass requires the handling of unprotected glass shards and other chemicals.

The EncapSulite ProGuard Coating also offers the additional benefit of blocking all UV transmission between 100 and 380 nanometers.

LLD - Lamp Lumen Depreciation - The unique EncapSulite polymer safety coatings reduce light (lumen) output by approximately 1% when compared to an uncoated lamp.

EncapSulite purchases all of our linear fluorescent lamps from major NEMA manufacturers. The mercury content of the lamps that we safety coat has been reported and is on file with IMERC Interstate Mercury Education & Reduction Clearinghouse.

EncapSulite's Safety Coatings are in compliance with all FDA - USDA - OSHA regulations and the following regulations.

SANITATION REQUIREMENTS FOR MEAT AND POULTRY ESTABLISHMENTS CHAPTER 5. SECTION 1 - USDA

USDA - "Lighting fixtures in rooms where exposed meat or poultry is handled should ensure maximum safety, to preclude contamination of products with broken glass and prevent collection of dirt, product and debris on lamp surfaces"

FDA PLANT CONSTRUCTION AND DESIGN - 110.20 SECTION B. PART 5

FDA - Food Processing - "provide safety-type light bulbs, fixtures, skylights, or other glass suspended over exposed food in any step of preparation or otherwise protect against food contamination in case of glass breakage."

FDA FOOD CODE - CHAPTER 6. SECTION 202.11

FDA - Food Service - "shielding of light bulbs helps prevent breakage. Light bulbs that are shielded, coated or otherwise shatter-resistant are necessary to protect exposed food, clean equipment, utensils and linens, and unwrapped single-use articles from glass fragments should the bulb break."

OSHA HAZARD BULLETIN - 19970715

OSHA - Potential Fire Hazard with Fluorescent Light Bulbs with Plastic Tubes - "replace fluorescent light bulbs that were equipped with protective sleeve coverings and end caps with a shatterproof bulb that is easier to install, in order to eliminate this potential fire hazard."

ENCAPSULITE INTERNATIONAL INC. UNDERWRITERS LABORATORIES INC. - PHONE NUMBER (408) 985-2400 UL FILE NO. - SA10645 - UL FILE NO. - SA12675

Product Covered: Component - "Miscellaneous Refrigeration Equipment: Fluorescent Lamp Tubing, Series Shatterproof ShardGuard Coating, also, shatterproof coating."

General Description of Material: "These plastic tubing's are safety-coated over fluorescent lamps in order to prevent the release of glass shards in case of impact. It is intended for indoor use only.

Material Modifications: "There shall be no changes in the formulation or composition of the material unless previously cleared through Underwriters Laboratories Inc,"

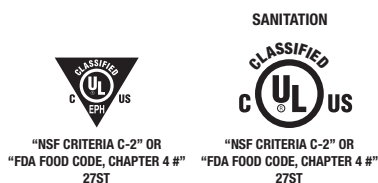
Product: "Shatterproof Safety Coating and Shatter-Proof Coating are identical."

UL Marking: Recognized Company name, File No.SA10645, or trademark "ENCAPSULITE" and product designation on shipping carton or finished product.

UL Marking: UL EPH Classified "NSF Criteria C-2 or FDA Food Code, Chapter 4.

Engineering Considerations - (1) The product is identified in accordance with Marking given above. (2) The lamp tubing was evaluated for UL 94HB flammability test. Samples of the plastic tubing installed onto fluorescent lamp were subjected to this test. (3) The lamp tubing was subjected to a 0.75 ft-lb impact test per UL 471 - Eighth Edition. Paragraph 21.4.

The engineer must consider need to investigate the part for other than flammability and impact such as electrical or mechanical properties, in accordance with applicable UL end-product standard or requirements outlined in the Standard for Polymeric Materials - Use in Electrical Equipment Evaluations. UL 746C.



EncapSulite® International Inc. takes great pride in being the ONLY safety coater in the United States able to provide a coating that is both UL Recognized for Safety and UL-EPH Certified for Food Applications. The UL-EPH certification and the UL Recognized component recognition for the coating insure that we are in compliance with all FDA, USDA and OSHA requirements.

ShardGuard®

SHATTER RESISTANT LIGHTING



EncapSulite offers the highest quality, optically clear high temperature PTFE safety coating for use with HID, HPS, PAR 38 and Flood Lamps. Large selection for all applications. EncapSulite **ShardGuard** Shatter Resistant PTFE coated lamps are acceptable for incidental food contact in federally inspected meat and poultry plants. **ShardGuard** lamps comply and meet current FDA, USDA and OSHA standards. EncapSulite PTFE safety coating is designed not to crack or peel when used in normal operating conditions.



FEATURES

- Contains Glass in Case of Breakage
- Designed for Open or Closed Fixtures
- Teflon™ Coated
- NSF Rated

APPLICATIONS

- Warehouses
- Parking Lots
- Food Processing Plants
- School Gymnasium
- High Bay Lighting Applications

WARRANTY: EncapSulite International's ShardGuard shatter resistant coating is guaranteed for one year from the date of sale.

Safety Coated Incandescent HPS & Metal Halide Lamps

PRODUCT CODE	ORDERING ABBREVIATION	QTY.	WATTS	BULB	BASE	LAMP FINISH	OPERATING POSITION	AVG LIFE	CRI	CCT (K)	LUMENS
BR30 REFLECTOR SAFETY COATED											
4182	65/BR30/ FL/CLEAR	24	65	BR30	Medium	CLEAR	UNIVERSAL	5000	-	-	470
4184	85/BR30/FL/CLEAR	24	85	BR30	Medium	CLEAR	UNIVERSAL	5000	-	-	620
BR38 REFLECTOR SAFETY COATED											
4043	100/BR38/FL/SOFT/CLEAR	24	100	BR38	Medium	CLEAR	UNIVERSAL	5000	-	-	-
BR40 REFLECTOR SAFETY COATED											
4157	75/BR40/FL/CLEAR	24	75	BR40	Medium	CLEAR	UNIVERSAL	5000	-	-	644
4158	100/BR40/FL/CLEAR	24	100	BR40	Medium	CLEAR	UNIVERSAL	5000	-	-	1094
4159	120/BR40/FL/CLEAR	24	120	BR40	Medium	CLEAR	UNIVERSAL	5000	-	-	901
4026	125/BR40/FL/CLEAR	4	125	BR40	Medium	CLEAR	UNIVERSAL	5000	-	-	-
4027	250/BR40/CLEAR	6	250	BR40	Medium	CLEAR	UNIVERSAL	5000	100	2850	2000
4028	250/BR40/10 RUBY RED	6	250	R40	Medium	RED	UNIVERSAL	5000	100	2850	-
4042	375/BR40 CLEAR	24	375	BR40	Medium	CLEAR	UNIVERSAL	5000	100	2850	-
PAR38 REFLECTOR SAFETY COATED											
S16587	60PAR38/HAL/IR/NFL25/DL	6	60	PAR38	Medium	CLEAR	UNIVERSAL	3000	100	2850	1100
S16594	80PAR38/HAL/IR/NFL25/DL	10	80	PAR38	Medium	CLEAR	UNIVERSAL	3000	100	2900	1545
S16748	80PAR38/HAL/S/NFL25	10	80	PAR38	Medium	CLEAR	UNIVERSAL	3000	100	2950	1545
S16751	80PAR38HALSWFL50	10	80	PAR38	Medium	CLEAR	UNIVERSAL	3000	100	2950	1545
A15 SAFETY COATED											
4033	40/A15-VIB/CLEAR	6	40	A15	Medium	CLEAR	UNIVERSAL	5000	-	-	-
4034	60/A15-VIB/CLEAR	6	60	A15	Medium	CLEAR	UNIVERSAL	5000	-	-	-
A19 SAFETY COATED											
4035	40/A19-VIB/CLEAR	6	40	A19	Medium	CLEAR	UNIVERSAL	5000	-	-	-
4036	50/A19 ROUGH/CLEAR	6	50	A19	Medium	CLEAR	UNIVERSAL	5000	-	-	-
4037	60/A19 ROUGH/CLEAR	6	60	A19	Medium	CLEAR	UNIVERSAL	5000	-	-	519
4038	75/A19 ROUGH/CLEAR	6	75	A19	Medium	CLEAR	UNIVERSAL	5000	-	-	644
4039	100/A19 ROUGH/CLEAR	6	100	A19	Medium	CLEAR	UNIVERSAL	5000	-	-	1094
A21 SAFETY COATED											
4171	75/A21/CLEAR	120	75	A21	Medium	CLEAR	UNIVERSAL	5000	-	-	644
4040	100/A21/CLEAR	120	100	A21	Medium	CLEAR	UNIVERSAL	5000	-	-	-
PS25 SAFETY COATED											
4175	150/PS25/CLEAR	60	150	PS25	Medium	CLEAR	UNIVERSAL	5000	-	-	-
4176	200/PS25/CLEAR	60	200	PS25	Medium	CLEAR	UNIVERSAL	5000	-	-	2337
4177	300/PS25/CLEAR	60	300	PS25	Medium	CLEAR	UNIVERSAL	5000	-	-	3933

CONTINUED...

Safety Coated Incandescent HPS & Metal Halide Lamps (continued)

PRODUCT CODE	ORDERING ABBREVIATION	QTY.	WATTS	BULB	BASE	LAMP FINISH	OPERATING POSITION	AVG LIFE	CRI	CCT (K)	LUMENS
SPECIALTY SAFETY COATED											
4161	40-T10/CLEAR	60	40	T10	Medium	CLEAR	UNIVERSAL	1000	-	-	435
4162	60-T10/CLEAR	60	60	T10	Medium	CLEAR	UNIVERSAL	1000	-	-	-
5002	BC-60BT15CL-P249243	10	60	BT15	Medium	CLEAR	UNIVERSAL	3000	-	-	900
4121	60B10BL-13442/CLEAR	12	60	B10-Candelabra	Medium	CLEAR	UNIVERSAL	1500	100	2850	-
4163	60-F15/CLEAR	24	60	Candelabra	Medium	CLEAR	UNIVERSAL	1500	100	2850	690
SYLVANIA HIGH PRESSURE SODIUM											
4101	LU35-67500/CLEAR	20	35	E17/HPS	E26MED	CLEAR	UNIVERSAL	16000	22	1900	2050
4102	LU50-67502/CLEAR	20	50	E17/HPS	E26MED	CLEAR	UNIVERSAL	16000	21	1900	3600
4103	LU70-67504/CLEAR	20	70	E17/HPS	E26MED	CLEAR	UNIVERSAL	16000	22	1900	5350
4104	LU100-67506/CLEAR MED	20	100	E17/HPS	E26MED	CLEAR	UNIVERSAL	16000	22	2100	8000
4106	LU100/ECO-67514/ CLEAR	20	100	ET23.5/HPS	E39 MOGUL	CLEAR	UNIVERSAL	30000	22	2100	7150
4105	LU150/55/MED-67508/ CLEAR	20	150	E17/HPS	E26MED	CLEAR	UNIVERSAL	30000	22	2100	13400
4107	LU150/55/ECO-67516/ CLEAR	20	150	ET23.5/HPS	E39 MOGUL	CLEAR	UNIVERSAL	30000	22	2100	12230
4079	LU250/ECO-67578/ CLEAR	20	250	ET18/HPS	E39 MOGUL	CLEAR	UNIVERSAL	30000	22	2100	24700
4080	LU400/ECO-67533/ CLEAR	20	400	ET18/HPS	E39 MOGUL	CLEAR	UNIVERSAL	30000	22	2100	40300
SYLVANIA HIGH PRESSURE SODIUM PLUS											
4100	LU70/PLUS/ECO- 67497/CLEAR	20	70	ET23.5/HPS	E39 MOGUL	CLEAR	UNIVERSAL	40000	22	1900	5020
4108	LU100/PLUS/ECO- 67559/CLEAR	20	100	ET23.5/HPS	E39 MOGUL	CLEAR	UNIVERSAL	40000	22	2100	7940
4098	LU150/55/PLUS/ECO- 67494/CLEAR	20	150	ET23.5/HPS	E39 MOGUL	CLEAR	UNIVERSAL	40000	22	2100	14010
4099	LU200/PLUS/ECO- 67495/CLEAR	20	200	ET18/HPS	E39 MOGUL	CLEAR	UNIVERSAL	40000	22	2100	19030
4109	LU250/PLUS/ECO- 67572/CLEAR	20	250	ET18/HPS	E39 MOGUL	CLEAR	UNIVERSAL	40000	22	2100	26200
4188	LU400/PLUS/ECO- 67312/CLEAR	20	400	ET18/HPS	E39 MOGUL	CLEAR	UNIVERSAL	40000	22	2100	42740
SYLVANIA PULSE START - HIGH OUTPUT, REDUCED COLOR SHIFT METAL HALIDE (MH) FOR ENCLOSED FIXTURES											
5030	M250/PS/U (5030)	6	250	ED28	E39MOGUL	CLEAR	UNIVERSAL	15000	65	3800	15400
4204	MS250/PS/BU ONLY	6	250	ED28	E39MOGUL	CLEAR	BU +-15	20000	65	4200	17000
4088	MS320/PS/BU-HOR	6	320	ED28	E39MOGUL	CLEAR	BU-HOR	20000	65	4300	21000
5000	MS400/PS/BU-ONLY BT28	6	400	ED28	E39MOGUL	CLEAR	BU +-15	20000	65	4100	32500
4089	MS400/PS/BU-ONLY	6	400	ED37	E39MOGUL	CLEAR	BU +-15	20000	65	4000	35700

CONTINUED...

Safety Coated Incandescent HPS & Metal Halide Lamps (continued)

PRODUCT CODE	ORDERING ABBREVIATION	QTY.	WATTS	BULB	BASE	LAMP FINISH	OPERATING POSITION	AVG LIFE	CRI	CCT (K)	LUMENS
SYLVANIA PRO-TECH PULSE START - HIGH OUTPUT METAL HALIDS FOR OPEN AND ENCLOSED FIXTURES											
4091	MP50/U/MED	20	50	E17	EX26MED	CLEAR	UNIVERSAL	20000	70	3000	1900
4090	MP70/U/MED	20	70	E17	EX26MED	CLEAR	UNIVERSAL	15000V	75	3000	3400
4084	MP100/U/MED	20	100	E17	EX26MED	CLEAR	UNIVERSAL	15000	75	3000	5525
4082	MP150/U/MED	20	150	E17	EX26MED	CLEAR	UNIVERSAL	15000	75	3000	8000
5003	MP250/PS/BU-ONLY	6	250	ED28	EX39Excl MOGUL	CLEAR	BU+-15	15000	65	4000	17000
4081	MP320/350/PS/BU- ONLY BT28	6	320/ 350	ED28	EX39Excl MOGUL	CLEAR	BU+-15	20000	65	3800	21000
5001	MP350/400/PS/BU- ONLY	6	350/ 400	ED37	EX39Excl MOGUL	CLEAR	BU+-15	20000	65	3700	24500
SYLVANIA PRO-TECH - PROBE START METAL HALIDS FOR OPEN OR ENCLOSED FIXTURES											
4058	MP175/BU-ONLY	6	175	ED28	EX39Excl MOGUL	CLEAR	BU+-15	10000	65	4000	10200
4059	MP250/BU-ONLY	6	250	ED28	EX39Excl MOGUL	CLEAR	BU+-15	10000	65	4000	17000
4060	MP400/BU-ONLY	6	400	ED37	EX39Excl MOGUL	CLEAR	BU+-15	20000	65	3600	26000
4095	MP400/C/BU-ONLY	6	400	ED37	EX39Excl MOGUL	COAT- ED- WHITE	BU+-15	20000	70	3400	25000
SYLVANIA SUPER LAMPS - POSITION DEDICATED PROBE START METAL HALIDS - FOR ENCLOSED FIXTURES											
4085	MS400/BU-ONLY	6	400	ED37	E39MOGUL	CLEAR	BU+-15	20000	65	4000	26000
SYLVANIA SUPERSAVER LAMPS - ENERGY SAVING PROBE START MH - DIRECT RETROFIT FROM STANDARD 175W AND 400W SYSTEMS											
4093	MS360/SS/BU-HOR	6	360	ED37	E39MOGUL	CLEAR	BU-HOR	20000	65	4000	23500
4120	MSP360/SS/BU-ONLY	6	360	ED37	EX39MOGUL	CLEAR	BU+-15	20000	65	4000	23500
SYLVANIA STANDARD PROBE START MH LAMPS											
4134	M175/U/MED	20	175	E17	E26MED	CLEAR	UNIVERSAL	10000	65	4000	9300
4075	M175/U	6	175	ED28	E39MOGUL	CLEAR	UNIVERSAL	10000	65	4200	9300
4053	M250/U	6	250	ED28	E39MOGUL	CLEAR	UNIVERSAL	20000	65	4200	15000
4086	M400/U/BT28	6	400	ED28	E39MOGUL	CLEAR	UNIVERSAL	20000	65	4000	25500
4144	M400/C/U/BT28	6	400	ED28	E39MOGUL	COAT- ED- WHITE	UNIVERSAL	20000	70	3600	22500
4048	M400/U	6	400	ED37	E39MOGUL	CLEAR	UNIVERSAL	20000	65	4000	23500

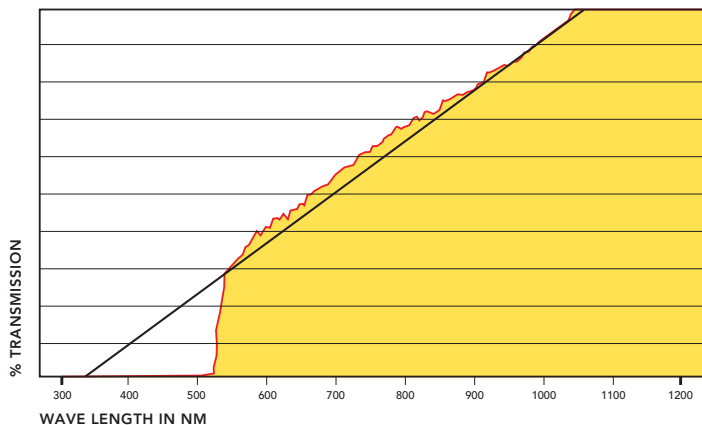
Shatterproof Gold Semiconductor

YELLOW/GOLD SAFETY COATED FLUORESCENT LAMPS



EncapSulite has developed safety fluorescent lamp coatings designed specifically for the semiconductor industry. Low cost – High efficiency. The PC Gold safety coated lamps block all emissions below 520 nanometers. The gold safety coating provides maximum safe illumination. The coatings provide excellent mechanical strength to retain the glass fragments in the event of breakage. The coatings will not crack, peel or flake with age. The PC Gold Lamps are available in T5, T8 and T12 lamp diameters. Time tested and used by semiconductor plants nationwide. The only UL Recognized fluorescent safety lamp coating for the semiconductor industry. Passes the UL94HB flammability test for safety.

ENCAPSULITE GOLD SEMICONDUCTOR PET SAFETY COATING
UV Spectrophotometric Data



PRODUCT CODE	ORDERING ABBREVIATION	LAMP LENGTH (inches)	PKG. QTY.	WATTS	TYPE	PIN	AVG RATED LIFE
SYLVANIA T5 GOLD SEMICONDUCTOR							
S20908G	FP14/835/ECO/GOLD	24	40	14	T5	Mini BiPin	22000
S20921G	FP21/835/ECO/GOLD	36	40	21	T5	Mini BiPin	22000
S20901G	FP28/835/ECO/GOLD	48	40	28	T5	Mini BiPin	36000
SYLVANIA T8 GOLD SEMICONDUCTOR							
S22136GPC	FO17/835/ECO/GOLD	24	30	17	T8	Med BiPin	30000
S22139GPC	FO25/835/ECO/GOLD	36	30	25	T8	Med BiPin	30000
S21779GPC	FO32/835/ECO/GOLD	48	30	32	T8	Med BiPin	30000
SYLVANIA T12 GOLD SEMICONDUCTOR							
S24588GPC	F34/CWX/ECO/GOLD	48	30	34	T12	Med Bi Pin	28800

Terms & Conditions of Sale

WARRANTY

EncapSulite® Safety Lighting Products are warranted against defects in materials and workmanship. This warranty does not include transportation or handling costs.

This warranty does not apply if the merchandise has been damaged by accident, misuse, application beyond that stated, or as a result of service by other than EncapSulite International. No other warranty is expressed or implied. EncapSulite International is not liable for consequential damage.

TERMS OF PAYMENT

All accounts are due NET 30 days from the date of invoice. EncapSulite International reserves the right to withhold shipments if the buyer fails to comply with credit policies. EncapSulite International accepts: MasterCard, Visa & American Express.

PRICING POLICIES

EncapSulite International's published price lists are suggested prices only. All prices are subject to change without notice. Actual prices are determined by the authorized EncapSulite International distributor.

ENCAPSULITE RETURN POLICY

Custom manufactured items are non-returnable unless defective in quality or workmanship. Call or fax our customer service department for a RGA - Return Goods Authorization - within 30 days of receipt of merchandise. Delisted or discontinued items may not be returned for credit. Products returned that were shipped correctly will be credited at invoice value less a 20% restocking charge and all freight charges.

CLAIMS

Upon acceptance by the carrier, title to material passes to consignee. All claims for loss or breakage, concealed or otherwise, for shipments accepted by consignee must be against the carrier by the consignee. EncapSulite International Inc. will handle claims of damaged shipments refused by consignee.

ADDITIONAL INFORMATION

For additional terms, conditions and information, contact the factory or your EncapSulite distributor.

Visit our website at www.encapsulite.com.

ORDERING INFORMATION

For Order Placement or
Technical Assistance.

US FACTORY & OFFICE

EncapSulite International Inc.
1220 Bamore Road
Rosenberg, Texas 77471

P (281) 239-0225

F (281) 239-0980

TF (877) 227-8756

E info@encapsulite.com

W www.encapsulite.com



EncapSulite®

EncapSulite International Inc., US Factory & Office

1220 Bamore Road
Rosenberg, Texas 77471
P (281) 239-0225
F (281) 239-0980
TF (877) 227-8756
E info@encapsulite.com
W www.encapsulite.com

EncapSulite International, Limited, UK Factory & Office

Unit 17, Chartwell Business Park
Chartmoor Road, Leighton Buzzard
Bedfordshire, LU7 4WG
P 0114 1525 376974
F 0114 1525 850306
E reply@encapsulite.co.uk
W www.encapsulite.co.uk