



Gardco DuraForm large floodlights champion versatility, durability, and performance. They are designed to suit industrial, utility, and commercial applications as the strongest, most controls-capable, and configurable floodlights. Available in three sizes to optimize lumens per dollar (also see FLDS and FLDM), DuraForm provides you with peace of mind for a product that is built to last. Includes Service Tag, Signify's innovative way to provide assistance throughout the life of the product.

Project: _____
 Location: _____
 Cat.No: _____
 Type: _____
 Lumens: _____ Qty: _____
 Notes: _____

Ordering guide

example: FLDL-A20-740-A33-YOK-120-FS1-VPA-BK

Prefix	Configuration (nominal lumens)	Color Temperature	Distribution	Mounting	Voltage
FLDL					
FLDL DuraForm large	A15 21,000	730 70CRI 3000K	SPT Spot 12° Round (NEMA 2x2)	SFC Slip Fitter Mount with Cord (fits on 2-3/8" to 3" O.D. tenon, 6' or 1.83m cord exits luminaire)	120 120V
	A16 26,500	740 70CRI 4000K	RSP Rectangular Spot (NEMA 3x3)		208 208V
	A17 30,000	750 ¹⁰ 70CRI 5000K (750 - Special, contact factory)	NFL Narrow Flood (NEMA 4x4)		240 240V
	A18 36,500		MFL Medium Flood (NEMA 5x5)	SLF Slip Fitter Mount (fits on 2-3/8" to 3" O.D. tenon, wires through slip fitter)	277 277V
	A19 35,300		WFL Wide Flood (NEMA 6x6)		347 347V
	A20 39,000		7X6 (NEMA 7x6)		480 480V
	A21 42,500		A33 Asymmetric 33 Flood (NEMA 6x5)	YOK Yoke Mount (6' or 1.83m cord exits luminaire)	UNV 120-277V
	A22 43,800		RMF Rectangular Medium Flood (NEMA 7x4)		HVU 347-480V
	A23 ¹² 53,500		RNF Rectangular Narrow Flood (NEMA 7x5)		

Options						
Dimming controls ¹	Fusing	Surge Protection	Hardware Options	Other Options	Finish	
none leave blank (0-10V dimming driver standard)	FS1 ⁷ Single Fuse (120V, 277V, or 347V)	blank Surge Protector 10kV / 10kA (standard)	blank Captive screws	blank Terminal Block, Service Tag, and Wiring Cover (standard)	BK Black	
DALI ^{1,2,3} Digitally Addressable Lighting Interface driver	FS2 ⁷ Double Fuse (208V, 240V, or 480V)	SP2 Surge Protector 20kV / 10kA (option)	TOL Tool-less entry latches	API Factory-installed ANSI C136.15-2015 compliant label	BZ Bronze	
DLEA ^{1,4,5} Dimming Leads Externally Accessible (for controls by others)	FS3 ^{7,11} Canadian Double Pole Fuse (208V, 240V, or 480V)		VPA Vandal Proof Access (bit included with luminaire)	C## ¹⁰ Cord length specified by customer for SFC or YOK (put length in feet in place of "##" - example: C10 for 10' cord, must be ordered same time as luminaire - factory installed) (6' cord standard)	MG Medium Gray	
FAWS ^{1,4,12} Field Adjustable Wattage Selector				PCB ^{2,5,6,7} Photocontrol Button	OC ¹⁰ Optional Color (specify optional color or RAL, contact factory)	
				TT7 ^{5,6,8} Tool-less NEMA Twist-lock 7-pin receptacle	SC ¹⁰ Special Color (must supply color chip, requires factory quote)	
				BAC ^{11,13} Meets the requirements of the Buy American Act of 1933 (BAA)	MP ¹⁰ Marine Grade paint - must also specify one of the finish colors from list above [Ex: BK-MP] (requires factory quote)	

- Choose only 1 Dimming Controls option: either DALI or DLEA or FAWS.
- Not available with 347V, 480V, or HVU.
- Your specific required DALI profiles will be programmed at the factory. Contact factory for details.
- 0-10V dimming driver standard.
- Luminaire has 0-10V dimming wires exiting the luminaire for dimming controls by others. DLEA not available with PCB or TT7 - choose only 1 of the three options.
- Choose either PCB or TT7 option.
- Must specify applicable specific input voltage, not available with UNV or HVU.
- Use of photoelectric cell (must be ordered separately - see table below for more details) or shorting cap) is required to ensure proper illumination.
- Available with 120V or 277V only.
- Must contact factory prior to ordering.
- Extended lead times apply. Contact factory for details.
- A23 not available with FAWS (FAWS not compatible with 3 drivers).
- Failure to properly select the "BAC" suffix could result in you receiving product that is not BAA compliant product with no recourse for an RMA or refund. This BAC designation hereunder does not address (i) the applicability of, or availability of a waiver under, the Trade Agreements Act, or (ii) the "Buy America" domestic content requirements imposed on states, localities, and other non-federal entities as a condition of receiving funds administered by the Department of Transportation or other federal agencies.

Connected lighting

Interact City connector node provides the plug and play wireless communications technology to connect your floodlight to the Interact City lighting management system.



Accessory Ordering Code	Description
LLC	Interact City cellular technology connector node

Contact Signify for additional support when connected lighting or additional services are desired. For more details visit: <https://www.interact-lighting.com/en-us/what-is-possible/interact-city>

Shorting cap

Ordered separately for use with TT7 option⁸

Catalog Number	Description
912400548061	ACC-PH9



FLDL DuraForm

Large floodlight

Accessories ¹⁴

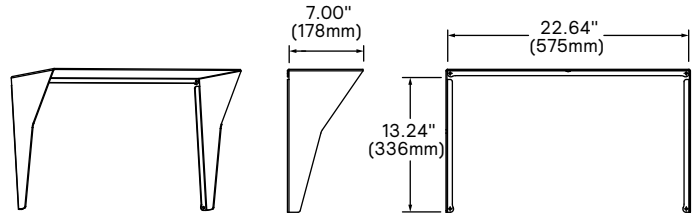
(ordered separately, field installed - mounting hardware included, uses dedicated mounting holes - do NOT remove lens)

FLDL-VSR-(F) Visor, top or bottom, painted same finish to match luminaire (specify finish at placeholder F, can not be used with GSH)

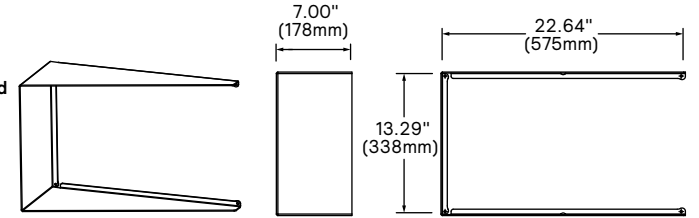
FLDL-GSH-(F) Glare Shield, left or right, painted same finish to match luminaire (specify finish at placeholder F, can not be used with VSR)

FLDL-WRG Wire Guard (nestable and can be used with either VSR or GSH)

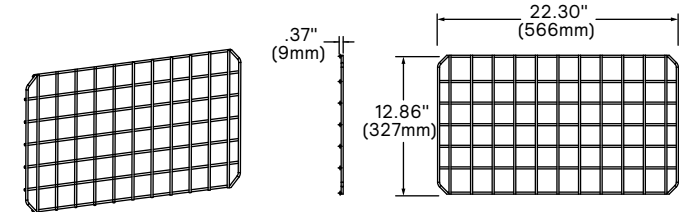
FLDL-VSR
Visor
Top or
Bottom



FLDL-GSH
Glare Shield
Left or
Right

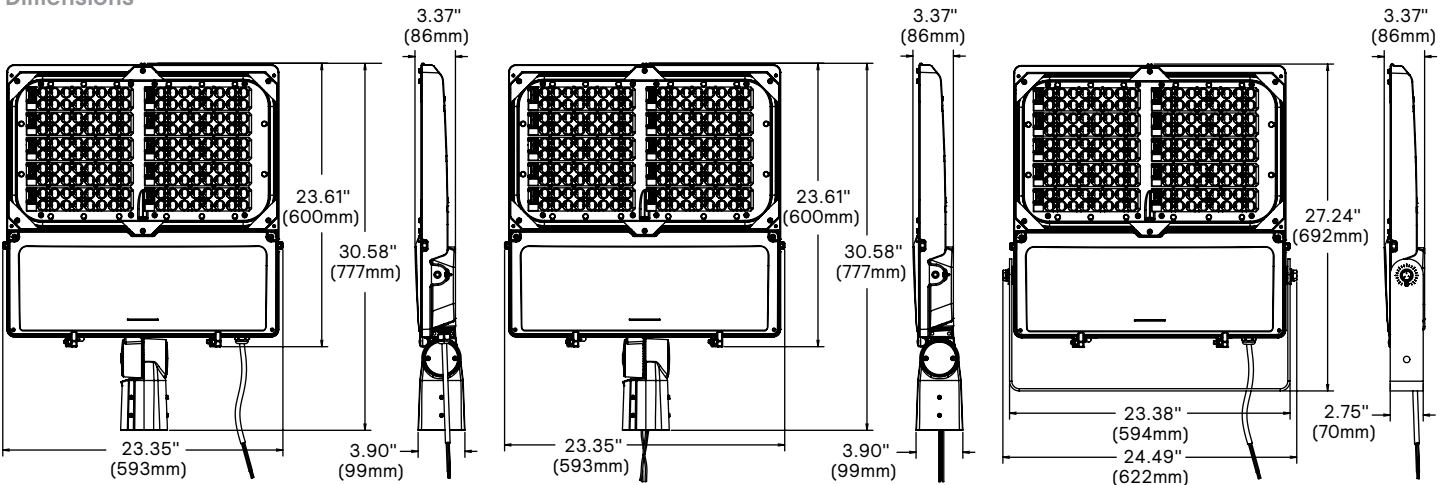


FLDL-WRG
Wire Guard
Nestable



14. Consult Signify to confirm whether specific accessories are BAA-compliant.

Dimensions



SFC

Luminaire weight: 36 lbs (16.3 kg)

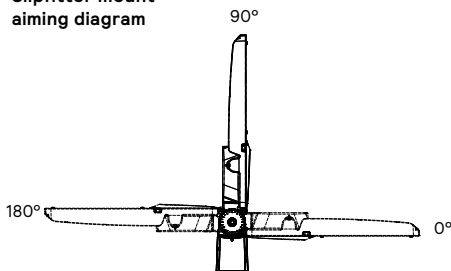
SLF

Luminaire weight: 36 lbs (16.3 kg)

YOK

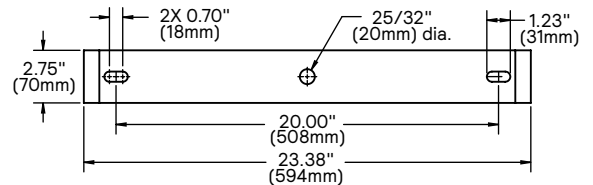
Luminaire weight: 43 lbs (19.5 kg)

Slipfitter mount aiming diagram

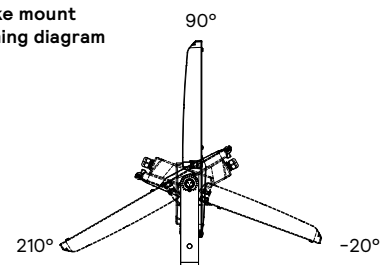


7-pin NEMA Twist Lock Receptacle option
Aiming limited to 0-90° per ANSI C136.10

Yoke mount detail



Yoke mount aiming diagram



7-pin NEMA Twist Lock Receptacle option
Aiming limited to 0-90° per ANSI C136.10

Effective Projected Area (EPA-ft ²)			
Mounting	Single: 0° Aim	Single: 45° Aim	Single: 90° Aim
SFC or SLF	0.269	2.218	6.202
YOK	0.248	2.389	5.899

FLDL DuraForm

Large floodlight

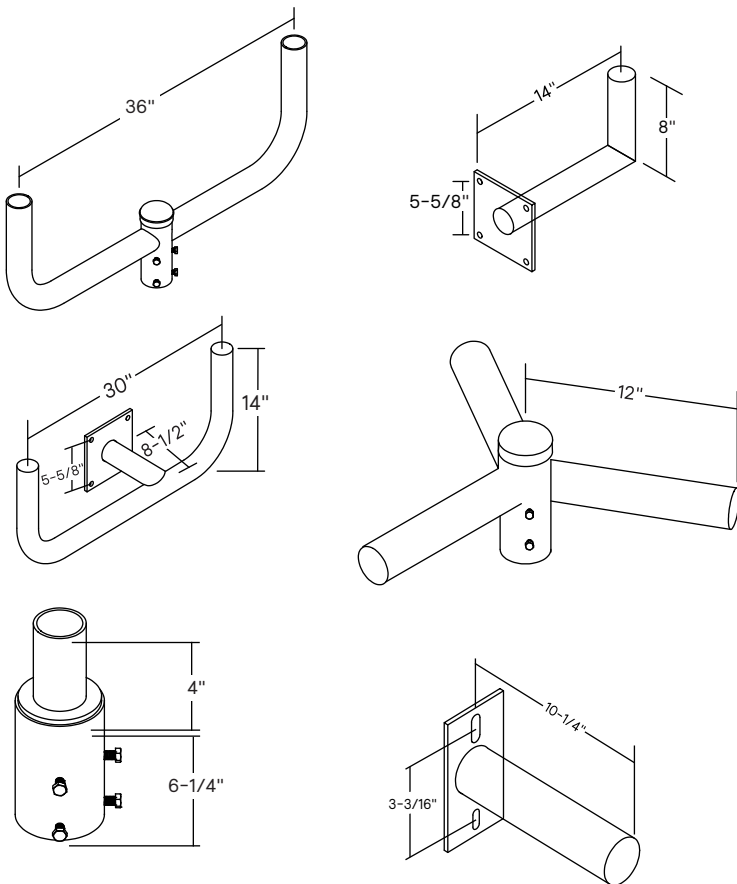
DuraForm Accessories¹ (ordered separately, field installed, specify finish at placeholder F)

Mounting Accessories

For wall and pole brackets, bullhorns, etc. see <https://www.signify.com/en-us/products/outdoor-luminaires/poles-brackets/site-and-area-brackets/bull-horn-brackets#downloads> for details.

Exception: All UPS Upsweep - contact factory to confirm compatibility.

Exception: SBRKT-PTN-L1-5-WA-(F) Parapet Tenon bracket cannot be used with any FLDL versions due to their EPAs - too high.



Examples shown are not to scale - see SBRKT spec sheet for all available brackets

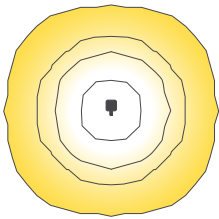
1. Consult Signify to confirm whether specific accessories are BAA-compliant.

FLDL DuraForm

Large floodlight

Optical Distribution Diagrams

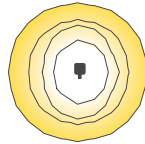
SPT Spot 12° Round (NEMA 2x2)



20' or 6.10m setback, 0° tilt

Applications include: flags, tighter spotlighting, accenting, taller columns, tighter scalloping, taller structures / monuments / statues, tallest trees.

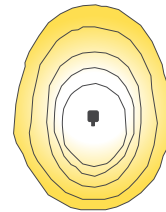
RSP Rectangular Spot (NEMA 3X3)



15' or 4.57m setback, 0° tilt

Applications include: flags, spotlighting, accenting, columns, scalloping, structures / monuments / statues, taller trees.

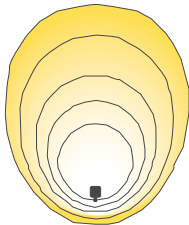
NFL Narrow Flood (NEMA 4x4)



30' or 9.14m mounting height, 45° tilt

Applications include: area lighting, storage yards, transportation terminals, trailer lots, utility sub-stations, prison yards, ports, industrial sites, facades, structures / monuments / statues.

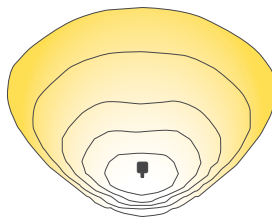
MFL Medium Flood (NEMA 5x5)



30' or 9.14m mounting height, 45° tilt

Applications include: area lighting, storage yards, transportation terminals, trailer lots, utility sub-stations, prison yards, ports, industrial sites, fence perimeters and borders, facades, structures / monuments / statues.

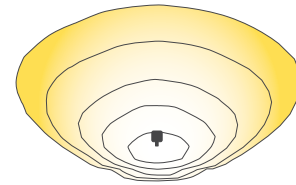
WFL Wide Flood (NEMA 6x6)



30' or 9.14m mounting height, 45° tilt

Applications include: area lighting, storage yards, transportation terminals, trailer lots, utility sub-stations, prison yards, ports, industrial sites, fence perimeters and borders, large facades.

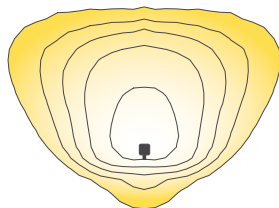
7x6 (NEMA 7x6)



30' or 9.14m mounting height, 45° tilt

Applications include: area lighting, utility sub-stations, fence perimeters and borders, large and taller facades, wall grazing, signs (especially larger and taller ones).

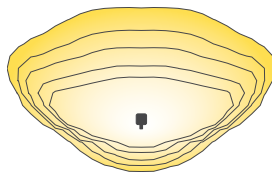
A33 Asymmetric 33° Flood (NEMA 6x5)



30' or 9.14m mounting height, 30° tilt

Applications include: area lighting, storage yards, transportation terminals, utility sub-stations, large facades, wall washing, large structures / monuments / statues, trees with large canopies.

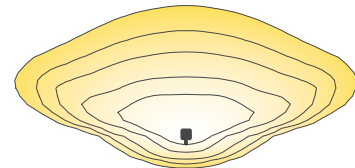
RMF Rectangular Medium Flood (NEMA 7x4)



10' or 3.05m setback, 30° tilt

Applications include: building entrances and exits, security lighting, checkpoints and inspection stations, signs, ornamental trees and shrubs

RNF Rectangular Narrow Flood (NEMA 7x5)



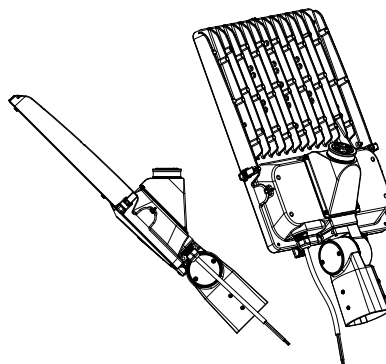
15' or 4.57m setback, 45° tilt

Applications include: facades, wall grazing, signs (especially larger and more rectangular)

Additional drawings

7-pin Twist Lock Receptacle Option

Aiming limited to 0-90° per ANSI C136.10
(NOTE: available on ALL mountings - SFC shown for illustrative purposes only)



FLDL DuraForm

Large floodlight

LED Wattage and Lumen Values - 3000K

Ordering Code	Color Temp.	Average System Watts	Wattage Label ¹	SPT		NFL		MFL		WFL		7x6	
				Lumen Output	Efficacy (LPW)	Lumen Output	Efficacy (LPW)	Lumen Output	Efficacy (LPW)	Lumen Output	Efficacy (LPW)	Lumen Output	Efficacy (LPW)
FLDL-A15-730	3000	155	160	23,604	152	22,428	145	23,380	151	23,377	151	22,734	147
FLDL-A16-730	3000	212	210	29,898	141	28,409	134	29,615	140	29,610	140	28,796	136
FLDL-A17-730	3000	242	240	33,587	139	31,913	132	33,268	137	33,263	137	32,348	133
FLDL-A18-730	3000	322	320	41,123	128	39,074	121	40,733	127	40,726	127	39,607	123
FLDL-A19-730	3000	281	280	39,586	141	37,614	134	39,211	139	39,205	139	38,127	136
FLDL-A20-730	3000	323	320	43,901	136	41,714	129	43,485	135	43,478	135	42,283	131
FLDL-A21-730	3000	365	370	47,909	131	45,522	125	47,455	130	47,447	130	46,143	127
FLDL-A22-730	3000	352	350	49,126	140	46,679	133	48,660	138	48,653	138	47,315	135
FLDL-A23-730	3000	459	460	60,399	132	57,390	125	59,827	130	59,817	130	58,173	127

LED Wattage and Lumen Values - 4000K & 5000K

Ordering Code	Color Temp.	Average System Watts	Wattage Label ¹	SPT		NFL		MFL		WFL		7x6	
				Lumen Output	Efficacy (LPW)	Lumen Output	Efficacy (LPW)	Lumen Output	Efficacy (LPW)	Lumen Output	Efficacy (LPW)	Lumen Output	Efficacy (LPW)
FLDL-A15-740 and -750	4000 and 5000	155	160	25,805	166	24,519	158	25,560	165	25,556	165	24,853	160
FLDL-A16-740 and -750	4000 and 5000	212	210	32,665	154	31,037	146	32,355	153	32,350	153	31,460	148
FLDL-A17-740 and -750	4000 and 5000	242	240	36,722	151	34,892	144	36,373	150	36,368	150	35,368	146
FLDL-A18-740 and -750	4000 and 5000	322	320	44,946	140	42,707	133	44,520	138	44,513	138	43,289	135
FLDL-A19-740 and -750	4000 and 5000	281	280	43,274	154	41,118	146	42,864	152	42,857	152	41,679	148
FLDL-A20-740 and -750	4000 and 5000	323	320	47,970	149	45,581	141	47,515	147	47,508	147	46,202	143
FLDL-A21-740 and -750	4000 and 5000	365	370	52,372	144	49,763	137	51,875	142	51,867	142	50,441	138
FLDL-A22-740 and -750	4000 and 5000	352	350	53,712	153	51,036	145	53,202	151	53,194	151	51,731	147
FLDL-A23-740 and -750	4000 and 5000	459	460	66,018	144	62,729	137	65,392	142	65,381	142	63,584	138

LED Wattage and Lumen Values - 3000K

Ordering Code	Color Temp.	Average System Watts	Wattage Label ¹	RSP		RMF		RNF		A33	
				Lumen Output	Efficacy (LPW)	Lumen Output	Efficacy (LPW)	Lumen Output	Efficacy (LPW)	Lumen Output	Efficacy (LPW)
FLDL-A15-730	3000	155	160	23,432	151	23,141	149	23,653	153	24,276	157
FLDL-A16-730	3000	212	210	29,665	140	29,296	138	29,944	141	30,732	145
FLDL-A17-730	3000	242	240	33,336	138	32,921	136	33,650	139	34,537	142
FLDL-A18-730	3000	322	320	40,811	127	40,304	125	41,195	128	42,280	131
FLDL-A19-730	3000	281	280	39,287	140	38,800	138	39,658	141	40,702	145
FLDL-A20-730	3000	323	320	43,559	135	43,017	133	43,969	136	45,127	140
FLDL-A21-730	3000	365	370	47,550	130	46,960	129	47,998	132	49,263	135
FLDL-A22-730	3000	352	350	48,761	139	48,154	137	49,221	140	50,516	144
FLDL-A23-730	3000	459	460	59,947	131	59,201	129	60,511	132	62,105	135

Values from photometric tests performed in accordance with IESNA LM-79 and are representative of the configurations shown. Actual performance may vary due to installation and environmental variables, LED and driver tolerances, and field measurement considerations. It is highly recommended to confirm performance with a photometric layout.

NOTE: Some data may be scaled based on tests of similar (but not identical) luminaires. Contact factory for configurations not shown. IES files available with VSR Visor or GSH Glare Shield Accessories - see website. * Wattage Label per ANSI C136.15-2015. Consult factory for other labelling needs.

LED Wattage and Lumen Values - 4000K & 5000K

Ordering Code	Color Temp.	Average System Watts	Wattage Label ¹	RSP		RMF		RNF		A33	
				Lumen Output	Efficacy (LPW)	Lumen Output	Efficacy (LPW)	Lumen Output	Efficacy (LPW)	Lumen Output	Efficacy (LPW)
FLDL-A15-740 and -750	4000 and 5000	155	160	25,611	165	25,292	163	25,853	167	26,534	171
FLDL-A16-740 and -750	4000 and 5000	212	210	32,424	153	32,021	151	32,729	154	33,590	159
FLDL-A17-740 and -750	4000 and 5000	242	240	36,436	150	35,984	148	36,780	152	37,748	156
FLDL-A18-740 and -750	4000 and 5000	322	320	44,607	139	44,052	137	45,027	140	46,212	144
FLDL-A19-740 and -750	4000 and 5000	281	280	42,941	153	42,408	151	43,345	154	44,488	158
FLDL-A20-740 and -750	4000 and 5000	323	320	47,610	148	47,018	146	48,059	149	49,324	153
FLDL-A21-740 and -750	4000 and 5000	365	370	51,972	143	51,327	141	52,462	144	53,845	148
FLDL-A22-740 and -750	4000 and 5000	352	350	53,295	152	52,633	150	53,797	153	55,215	157
FLDL-A23-740 and -750	4000 and 5000	459	460	65,522	143	64,707	141	66,139	144	67,881	148

Field Adjustable Wattage Selector (FAWS) Multiplier Chart

FAWS Position	Typical Delivered Lumens Multiplier	Typical System Wattage Multiplier	FAWS Position	Typical Delivered Lumens Multiplier	Typical System Wattage Multiplier
1	0.31	0.28	6	0.83	0.81
2	0.53	0.50	7	0.89	0.87
3	0.62	0.58	8	0.92	0.91
4	0.70	0.67	9	0.96	0.95
5	0.78	0.75	10	1.00	1.00

Note: Actual performance may vary due to LED and driver tolerances.

Predicted Lumen Depreciation Data

Ambient Temperature °C	Drive current	Calculated L70 Hours	L70 per TM-21	Lumen Maintenance % at 60,000 hrs
25°C	up to 1050 mA	>100,000 hours	>36,000 hours	>98%

Predicted performance derived from LED manufacturer's data and engineering design estimates, based on IESNA LM-80 methodology. Actual experience may vary due to field application conditions. L70 is the predicted time when LED performance depreciates to 70% of initial lumen output. Calculated per IESNA TM21-11. Published L70 hours limited to 6 times actual LED test hours

FLDL DuraForm

Large floodlight

Specifications

Housing and Door

Made of low copper die cast Aluminum alloy (A360) for high resistance to corrosion. A hinged removable door opens to provide access to electronic components and to a terminal block. Door is secured to prevent accidental dropping or disengagement. Captive flanged hex head screws with slotted drive provide access to electrical components and are compatible with 1/4" flat blade screwdriver.

Mounting

Up tilt aiming and down tilt aiming possible with all of the mounting options. Top edge of casting includes aiming sight for daytime aiming (see instructions).

cULus Listed as suitable for mounting within 4' or 1.2m of the ground.

SFC: Adjustable Slip Fitter with 6' (1.83m) of AWG 16-3 SEOWW cord (or AWG 16-5 if DLEA external control options are selected) exiting the luminaire through IP66 rated cord seal. Customer-specified length or different cord type available - contact factory. Slip Fitter made of low copper die cast Aluminum alloy (A360) for high resistance to corrosion, adjustable knuckle has 5 degree aiming increments with integral interlocking teeth and bolt to secure aiming in place, integral cast-in aiming marks. Fits on a range of tenons from 2-3/8" to 3" (60.3mm to 76.2mm) O.D.

SLF: Same Adjustable Slip Fitter as SFC but with AWG 16-3 wires (or AWG 16-5 if DLEA external control options are selected) exiting through the Slip Fitter. Integral splice compartment for field wiring with cULus Wet Location rated access cover with seal around entire perimeter.

YOK: Adjustable Yoke with 6' (1.83m) of AWG 16-3 SEOWW cord (or AWG 16-5 if DLEA external control options are selected) exiting the luminaire through IP66 rated cord seal. Customer-specified length or different cord type available - contact factory. Yoke made of high strength steel, galvanized and painted for high resistance to corrosion, fully adjustable (no minimum aiming increments) with bolts to secure aiming in place, integral aiming marks.

IP Rating

IP66 rated luminaire in all aiming positions including up tilt aiming per ANSI C136.37 with seal around entire perimeter of the lens and seal around entire perimeter of the electrical / driver compartment.

Light Engine

Composed of 5 main components: Heat Sink, Lens, LED Module, Optical System, Driver. Electrical components are RoHS compliant. LEDs tested by ISO 17025 2005 accredited lab in accordance with IESNA LM-80 guidelines, extrapolations in accordance with IESNA TM-21. Metal core board ensures greater heat transfer and longer lifespan.

Heat Sink: Housing acts as heat sink, designed to ensure high efficacy and superior cooling by natural convection air flow always close to LEDs and driver(s) optimizing their efficiency and life. Product does not use any cooling device with moving parts (only passive cooling).

Lens: Made of soda-lime clear tempered glass flat lens, mechanically assembled and sealed onto the housing heat sink forming IP66 seal. NOTE: Lens is not designed to be removable (if removed impacts IP66 seal).

IK Rating: IK09 high impact resistance rating for luminaire lens.

LED Module: Composed of high performance white LEDs. Color temperature as per ANSI/NEMA bin 3000K nominal (3045K +/-175K) or 4000K nominal (3985K +/- 275K), both CRI 70 min. 75 Typical.

Optical System: Composed of high performance UV stabilized optical grade polymer refractor lenses to achieve desired distribution optimized to get maximum spacing, target lumens and a superior lighting uniformity. Performance shall be tested per LM-63, LM-79 and TM-15 (IESNA) certifying its photometric performance.

Driver: High power factor of 90% min. Electronic driver, operating range 50/60 Hz. Auto adjusting universal voltage input from 120 to 277 or 347 to 480 VAC rated for both application line to line or line to neutral, Class I, THD of 20% max. The current supplying the LEDs will be reduced by the driver if the driver experiences internal overheating as a protection to the LEDs and the electrical components. Output is protected from short circuits, voltage overload and current overload. Automatic recovery after correction. Standard built in driver surge protection of 2.5kV (min). Driver enables setting LED drive current to meet your specific total wattage consumption, lumen output and/or efficacy needs, contact factory.

Integrated Features

Please note that these integrated features always come with this luminaire standard at no additional cost.

0-10V dimming driver included as standard, dimming leads pre-wired to Dimming Controls option except when DLEA external controls options are selected.

SP1: Surge protection device tested in accordance with ANSI/IEEE C62.45 per ANSI/IEEE C62.41.2 Scenario I Category C High Exposure 10kV/10kA waveforms for Line-Ground, Line-Neutral and Neutral-Ground. Enhanced surge protection device SP2 20kV/10kA available as an option. Surge protection device wired in parallel so that if it fails open the luminaire will remain lit/ powered on.

Service Tag: Each individual luminaire is uniquely identifiable, thanks to the Service tag application. With a simple scan of a QR code you gain instant access to the luminaire configuration, making installation and maintenance operations faster and easier, no matter what stage of the luminaire's lifetime. Just download the app and register your product right away.

For more details visit: www.signify.com/global/service-tag

Terminal Block: 3-position. Accepts wires from #2AWG to #14AWG, rated 600V, 85A.

Wiring Cover: Cosmetic cover over LED board wiring. Painted same finish to match luminaire.

Controls Options

Please note that other controls can be integrated as ETO Specials - contact factory.

DALI: Pre-set driver compatible with the DALI Digitally Addressable Lighting Interface control system.

DLEA: 0-10V dimming driver's dimming wires are externally accessible for connecting dimming controls by others.

FAWS: Field Adjustable Wattage Selector, pre-set to the highest position, can be easily switched in the field to the required position. This reduces total luminaire wattage consumption and reduces the light level - see the FAWS multiplier chart for more details.

Note: It is not recommended to use FAWS with other dimming or controls; if you do, set the switch to position 10 (maximum output) to enable the other dimming or controls. Switching FAWS to any position other than 10 will disable the other dimming or controls.

Connected Lighting

Interact City connector node provides the plug and play wireless communications technology to connect your floodlight to the Interact City lighting management system. With Interact you can remotely manage, monitor and control all city lighting, from roads and streets, to parks and plazas, and bridges from one single system. Connected lighting enables capabilities including, accurate on/off switching, dimming control, fault reporting and integration with other systems to enable condition-based lighting. Interact provides you with a robust and scalable infrastructure to further reduce energy consumption, improve operations, and turn lighting into a connected network for your smart city journey.

For more details visit:

<https://www.interact-lighting.com/en-us/what-is-possible/interact-city>

FLDL DuraForm

Large floodlight

Specifications (continued)

Luminaire Options

SP2: 20kV / 10kA surge protection device that provides extra protection beyond the standard SP1 10kV/10kA level. Surge protection device wired in parallel so that if it fails open the luminaire will remain lit/powerd on.

TT7*: Tool Less orientable twist-lock receptacle with 7 pins enabling dimming, can be used with an Interact City node, a twist-lock photoelectric cell or a shorting cap.

* Use of photoelectric cell or shorting cap is required to ensure proper illumination.

Note: Additional hardware will be required to utilize the additional 2 pins on this receptacle.

API: Factory Installed NEMA label, ANSI C136.15–2015 compliant, identifies LED source and wattage, affixed to luminaire at factory. Consult factory for other labeling needs.

FS1: Fusing, single (120, 277 or 347VAC) installed in electrical compartment

FS2: Fusing, double (208, 240 or 480VAC) installed in electrical compartment

FS3: Fusing, Canadian Double Pole (208, 240 or 480VAC) installed in electrical compartment.

TOL: Tool Free access 316 stainless steel latches provide a high resistance to corrosion. Latches operable while wearing protective electrical gloves.

VPA: Vandal Proof hardware to prevent access to internal components, 316 stainless steel, complete with Ceramic primer seal to reduce seizing of the parts, also offers a high resistance to corrosion. Bit included with luminaire.

PCB: Photocell Button (a.k.a. button photoeye).

Luminaire Useful Life

Refer to IES files for energy consumption and delivered lumens for each option. Based on ISTMT in situ thermal testing in accordance with UL1598 and UL8750, exclusive Signify System Reliability Tool, Advance driver data and LED manufacturer LM-80/TM-21 data, expected to reach 100,000 + hours with L₇₀ lumen maintenance @ 25°C. Luminaire Useful Life accounts for LED lumen maintenance AND all of these additional factors including: LED color shift, LED life, driver life, PCB substrate, solder joints, on/off cycles, burning hours and corrosion.

Wiring

#2-#14 AWG wires from the primary circuit, located inside the housing. Due to the inrush current that occurs with electronic drivers, recommend using a time-delay or slow blow fuse to avoid unwanted fuse blowing (false tripping) that can occur with normal or fast acting fuses.

Hardware and Seals

All exposed hardware shall be high-grade 316 stainless steel and ceramic coated for superior corrosion resistance and to prevent galvanic corrosion, and shall be captive. All seals and sealing devices are made and/or lined with EPDM and/or silicone and/or rubber.

Finish

Color in accordance with the AAMA 2603 standard. Application of polyester powder coat paint (4 mils/100 microns) with ± 1 mils/24 microns of tolerance. The Thermosetting resins provides a discoloration resistant finish in accordance with the ASTM D2244 standard, as well as luster retention in keeping with the ASTM D523 standard and humidity proof in accordance with the ASTM D2247 standard. The standard finishes achieve a minimum scribe rating of 8 per ASTM D1654 after a minimum of 5000 hours salt spray in accordance with testing performed per ASTM B117 standard.

When Marine Grade paint option is selected, an additional step of anodizing castings is done prior to applying the MG paint. This increases corrosion resistance even further and results in a higher minimum scribe rating of 10 after a minimum of 5000 hours salt spray.

LED Products Manufacturing Standard

The electronic components sensitive to electrostatic discharge (ESD) such as light emitting diodes (LEDs) are assembled in compliance with IEC61340-5-1 and ANSI/ESD S20.20 standards so as to eliminate ESD events that could decrease the useful life of the product.

Vibration Resistance

Luminaire meets the ANSI C136.31-2018 specifications, tested by independent lab over 100,000 cycles in all three axes: Level 1 (1.5G) Normal ratings for both Slip Fitters, Level 2 (3G) Bridge/Overpass rating for Yoke.

Certifications and Compliance

cULus Listed for Canada and USA, per UL1598 and UL8750, including suitable for mounting within 4' or 1.2m of the ground. Configurations are DesignLights Consortium qualified, consult DLC QPL Qualified Products List for more details. Luminaire complies with or exceeds the following ANSI C136 standards: .2, .3, .10, .15, .21, .22, .24, .25, .31, .32, .37, .41. Entire luminaire is rated for operation in ambient temperature of -40°C (-40°F) up to +50°C (+122°F). Controls options enable compliance with Outdoor lighting energy codes including ASHRAE 90.1, California Title 24, and IECC.

Limited Warranty

10-year limited warranty.

See signify.com/warranties for details and restrictions.

Buy American Act of 1933 (BAA)

This product is manufactured in one of our US factories and, as of the date of this document, this product was considered a commercially available off-the-shelf (COTS) item meeting the requirements of the BAA. This BAA designation hereunder does not address (i) the applicability of, or availability of a waiver under, the Trade Agreements Act, or (ii) the "Buy America" domestic content requirements imposed on states, localities, and other non-federal entities as a condition of receiving funds administered by the Department of Transportation or other federal agencies. Prior to ordering, please visit www.signify.com/baa to view a current list of BAA-compliant products to confirm this product's current compliance. Failure to properly select the "BAC" suffix could result in you receiving product that is not BAA compliant product with no recourse for an RMA or refund.