



**LEDTRONICS**<sup>®</sup>  
America's Premium Brand LED Company™

23105 Kashiwa Court, Torrance, CA 90505  
Phone: (800) 579-4875 or (310) 534-1505 Fax: (310) 534-1424  
E-mail: [info@ledtronics.com](mailto:info@ledtronics.com)  
Website: <http://www.ledtronics.com>

# FLL001-035W-XPW-101A-D

LED Flood Light, Clear Lens  
120Vac, Pure White (5000K), 35W  
Angle of illumination: 110°

(with Adjustable Trunnion/Wall and Roof Mounting Bracket)



DWG BY:  
LSOT / HF  
04-20-21

R&D:  
UF  
05-10-21

QA:  
SB  
05-11-21

MFG:  
LD  
05-11-21

REVISION LTR: PRELIMINARY (3)  
ECR#: 051021-HF01  
05-10-21

### ○ Features

Operating Temperature	-22°F to +113°F
Housing Material / Color	Die-cast Aluminum / Bronze
Lens Material / Color	Glass / Clear
LED Type	3030
LED Quantity	44 pcs.
UL / cUL Listed	E483348 (CES-LS-VN-30W)
LED LM80 Report	-
LM79 Report	-
Protection Rating	IP65
Surge Protection	4KV
Lifespan	>60,000 hrs.
Warranty	3 Years
Weight	1.48 lbs. / 0.67 kg.



### ○ Electro-Optical Characteristics

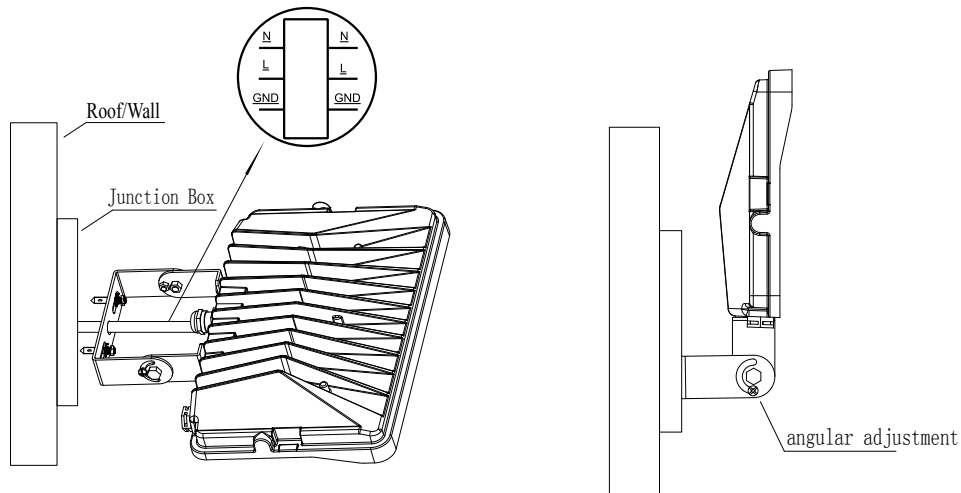
Part Number	FLL001-035W-XPW-101A-D
Input Voltage (typ)	120Vac
Tested @ (Voltage)	120Vac
Power Consumption	33 W
Current Consumption	0.275 A
Efficacy: (Lm/W)	111
Lumens	3.614 lm
Max Ft-Cd	1,369 cd
Power Factor	0.98
CRI (Ra)	>70
CCT	5000K
Color	Pure White
Angle of illumination	110°

○ Dimensions



○ Installation

("-D-" Trunnion/Wall & Roof Mount Adaptor)



**Note:**  
1. All Dimensions are in Inches [mm].

**Tolerance:**  
XXX +/- .010  
XX +/- .025