

# FR68-LED



## Product Description

### Flat, Recessed LED Spotlight with Frosted Lens

FR68-LED is a flat, recessed, spotlight LED with a frosted lens that helps reduce glare and provides a smooth, even illumination. FR68-LED can be surface mounted or recessed and is perfect for displays, cabinets, and furniture.

## Product Features

- Available color temperatures:
  - 3000 K
  - 4000 K
  - Additional color temperatures (special order)
- Attached 98" connecting cable with a plug-in connector
- Surface mount ring available separately
- Dimmable with available accessories
- Stainless Steel, Gold or Matte Chrome finish
- To be used with 24 Vdc Constant Voltage Driver
- 50,000 hours usable life
- Efficacy: 68 lm/W
- Energy-efficient: uses only 4 W
- Excellent CRI >93
- Recess depth: 1/2"





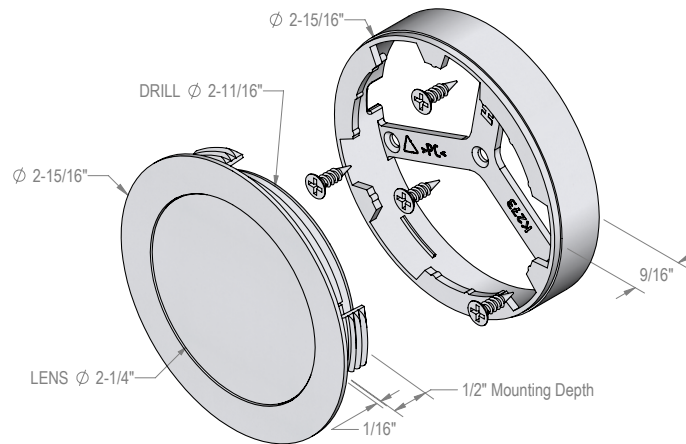
Available Options

Necessary Accessories on Page 76

MODEL	DIAMETER	POWER	LIGHT OUTPUT	EFFICACY	CRI	FINISH	PART NO. (3000 K)	PART NO. (4000 K)
FR68-LED	2 15/16"	4 W	270 Lm	68 lm/W	>93	Stainless Steel	FR68/SS/3000	FR68/SS/4000
FR68-LED	2 15/16"	4 W	270 Lm	68 lm/W	>93	Matte Chrome	FR68/MC/3000	FR68/MC/4000
FR68-LED	2 15/16"	4 W	270 Lm	68 lm/W	>93	Gold	FR68/GO/3000	N/A

Compatible Drivers on Page 72

Dimensions



# Low Voltage Drivers

## Constant Voltage Drivers

### 24 Vdc Drivers



**Daisy Driver, 30W**  
(Full Specs on Page #94)



**Daisy Driver, 75W**  
(Full Specs on Page #95)



**Daisy Driver, 96W**  
(Full Specs on Page #96)



**Driver, 6W**  
(Full Specs on Page #98)

## Constant Current Drivers

### LED Drivers



**LED Driver, 10W**  
(Full Specs on Page #104)



**LED Driver, 18W Dimmable**  
(Full Specs on Page #105)

# Compatibility

## Constant Voltage Compatible LEDs

---

### SPOT

---

SR45-LED

FR68-LED

Eco78-LED

R55-LED

ER-LED

## Constant Current Compatible LEDs

---

### SPOT

---

SR45-LED

SR68-LED

Big6/2-LED

HO-LED

Eye-LED

# Spot-LED Accessories

## FR68-LED

### Connecting Cables

DESCRIPTION	LENGTH	PART NO.
Power Cable Extension, White	39"	KB12LEDCC39/H
Power Cable Extension, White	84"	KB12LEDCC84/H
Power Cable Extension, White	98"	KB12LEDCC98/H
Power Cable Extension, Black	39"	KB12LEDCC39/BL/H
Power Cable Extension, Black	39"	KB12LEDCC98/BL/H
Power Cable Extension, Black	39"	KB12LEDCC120/BL/H
Terminal Block	39"	PS24V/TB
Terminal Block, DC plug	39"	PS24V/TB/DC/Y
Power Cord locking clip		CLIP/24V/CCPC

### Optional Accessories

DESCRIPTION	PART NO.
Dimming Module	STICKPSDIM/S
Dimming Controller	DIMCONTROL/EURO
Y-Cable Adapter	STICKDIM/YCABLE
Remote Control Dimmer	RCPSDIM/V2
Rocker Switch	PS24V/SWITCH/RS/H
Rocker Switch, DC plug	PS24V/SWITCH/RS/DC1224/H
24 V Occupancy Switch	PS24V/SW/OC
Sensor Switch	IRSWITCH/H
Sensor Switch, Dimmable	IRSWITCH/H/D
Surface Mount Ring, Stainless Steel	DIR68/SS
Surface Mount Ring, Matte Chrome	DIR68/MC

## Eco78-LED

### Connecting Cables

DESCRIPTION	LENGTH	PART NO.
Power Cable Extension, White	39"	KB12LEDCC39/H
Power Cable Extension, White	84"	KB12LEDCC84/H
Power Cable Extension, White	98"	KB12LEDCC98/H
Power Cable Extension, Black	39"	KB12LEDCC39/BL/H
Power Cable Extension, Black	39"	KB12LEDCC98/BL/H
Power Cable Extension, Black	39"	KB12LEDCC120/BL/H
Terminal Block	39"	PS24V/TB
Terminal Block, DC plug	39"	PS24V/TB/DC/Y
Power Cord locking clip		CLIP/24V/CCPC

### Optional Accessories

DESCRIPTION	PART NO.
Dimming Module	STICKPSDIM/S
Dimming Controller	DIMCONTROL/EURO
Y-Cable Adapter	STICKDIM/YCABLE
Remote Control Dimmer	RCPSDIM/V2
Rocker Switch	PS24V/SWITCH/RS/H
Rocker Switch, DC plug	PS24V/SWITCH/RS/DC1224/H
24 V Occupancy Switch	PS24V/SW/OC
Sensor Switch	IRSWITCH/H
Sensor Switch, Dimmable	IRSWITCH/H/D
Surface Mount Ring, Stainless Steel	DIR68/SS
Surface Mount Ring, Matte Chrome	DIR68/MC