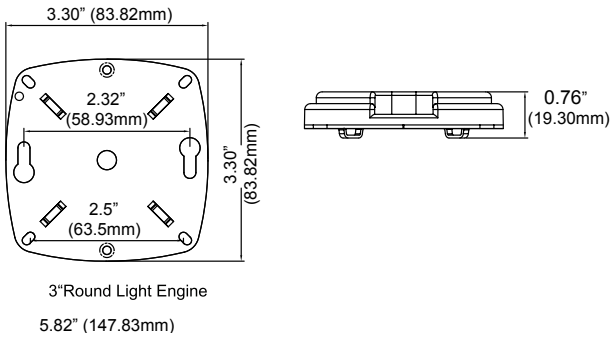
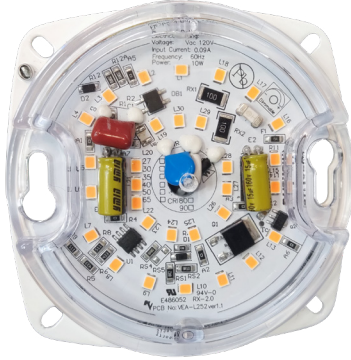


PROJECT NAME: \_\_\_\_\_ CAT. #: \_\_\_\_\_  
 NOTES: \_\_\_\_\_ FIXTURE SCHEDULE: \_\_\_\_\_

## Light Engine Round Retrofit Kit 3" - FRK Gen 4 series



### Product Description:

The MaxLite LED Round Mount Retrofit Kit/Light Engine can be used to retrofit existing luminaires, or as a high quality light source in new luminaire designs. As a retrofit product, the kit provides residential and commercial property managers a unique opportunity to upgrade to the latest LED technology while avoiding the inconvenience and costs with replacing unique existing ceiling fixtures. The kit is also an ideal solution for the OEM market, delivering superior 90-plus CRI across a full range of wattages/diameters. The MaxLite design may be used with any diffuser type, permitting much wider application than competing designs.

### Features:

- Robust heat sinking design is integrated in every version
- DOB design does not need a driver = longer life
- Can fit either Center Nipple or twist & Lock mounted diffusers
- Easy for electricians to install
- Can be used on Glass or Polymer diffused fixtures
- Supports Compliance of JA8-2016-E

### Construction:

- Electrical Isolation Barrier
- Integral heat sink (steel material)
- Metal core PCB

### Control:

- 120Vac, Triac dimming, 60Hz operation

### UL Classified Conditions of Use:

- Model FRK10X3zyy/V4 – Ceiling & wall mount luminaires with minimum dimensions: 4.3" Dia. X 2.5" depth

### Example Application



Ceiling Mount



Wall Mount

### Ordering Information

FAMILY	WATTAGE (NOMINAL)	DIAMETER	CRI	CCT	LENS TYPE	VERSION
FRK= Round Retrofit Kit	10X= 10W	3= 3"	9= 90	30= 3000K 40= 4000K <small>Additional CCTs available</small>	[BLANK]= Clear F= Frosted <sup>1</sup>	/V4= Version 4

<sup>1</sup> Frosted lens is available in 3000K

### Stocked Items

ORDER CODE	MODEL NUMBER	DESCRIPTION	CCT
108866	FRK10X3-930/V4	ROUND RETROFIT KIT/LIGHT ENGINE 10W 3" DIA 90CRI 3000K VERSION 4	3000K
108868	FRK10X3-940/V4	ROUND RETROFIT KIT/LIGHT ENGINE 10W 3" DIA 90CRI 4000K VERSION 4	4000K



**5-year standard warranty** (further details available at [www.maxlite.com/warranties](http://www.maxlite.com/warranties))  
 Product may be eligible for a warranty extension to 10 years, for an additional fee. Contact MaxLite for details.

# Light Engine Round Retrofit Kit

3" - FRK Gen 4 series

## Compatible Dimmers

MAKE	DIMMER MODEL	MAKE	DIMMER MODEL
LEVITON	IPI06	LUTRON	DV-603P, S-600P, SCL-153P, DVCL-153P, TGCL-153P

## Specifications

Specifications	FRK10X3-10xx/V4
Power Consumption	10.4W
Lumens Delivered	640 lm
Efficacy	64.0
CRI	93
THD	11.36%
Incandescent Equivalent	60W Inc.
Color Temperature (K)	3000K, 4000K
L70 Lifetime (hours)	40,000 Hrs
TC	239.4°F (115.2°C)
Color Consistency	SDCM < 4
Power Factor	>0.9
Input Voltage	120V
Compatible Dimmers	See Compatible dimmer list
Weight	1 lb
Mounting	Flush and Wall Mount Retrofit
Operating Temperature	0°F to 104°F
Humidity	20-85% RH, non-condensing
Certification	cULus Classified, FCC
Material Usage	RoHS Compliant
Environment	Indoor
Warranty	5 year standard warranty