

Day-Brite



by Signify

Linear

FluxStream EZ LED strip

4' and 8'



Day-Brite / CFI FluxStream EZ LED Strip is a high performing luminaire delivering smooth diffuse light ideal for light industrial, commercial and residential applications with unparalleled energy efficiency.

Project: _____
 Location: _____
 Cat.No: _____
 Type: _____
 Lumens: _____ Qty: _____
 Notes: _____

Ordering guide

Example: FSSEZ440L840-UNV-DIM

Series	Length (nominal)	Lumens ¹ (nominal)	Color temp. (K)	Voltage	Driver	Options
FSSEZ				UNV	DIM	
FSSEZ FluxStream strip EZ	4' 4' length 8' 8' length	40L 4000 lumens 80L 8000 lumens	830 80 CRI, 3000K 835 80 CRI, 3500K 840 80 CRI, 4000K 850 80 CRI, 5000K	UNV Universal voltage 120-277	DIM 0-10V Dimming	EMLED ³ Factory wired Bodine BSL310LP integral emergency pack. Nominal 1100 lm LSXR10 120-347V motion sensor, factory installed on end cap PAF Paint after fabrication for extra corrosion resistance (white) BAC ⁴ Meets the requirements of the Buy American Act of 1933 (BAA)

Footnotes

- Nominal delivered lumens at 25°C ambient.
- 8' is tandem (2) 4' lenses with single piece 8' body.
- EMLED on 8' model illuminates 4' section in emergency mode.
- Failure to properly select the "BAC" suffix could result in you receiving product that is not BAA compliant product with no recourse for an RMA or refund. This BAC designation hereunder does not address (i) the applicability of, or availability of a waiver under, the Trade Agreements Act, or (ii) the "Buy America" domestic content requirements imposed on states, localities, and other non-federal entities as a condition of receiving funds administered by the Department of Transportation or other federal agencies.
- Consult Signify to confirm whether specific accessories are BAA-compliant.

Accessories⁵ (order separately)

- FSSD4L - 4' Diffuse replacement lens (order 2 for 8' models)
 - LSXR10 - Low bay PIR motion sensor, 120-277V
 - FSSWG4 - 4' Wire guard (order two for 8' model)
 - FSTH - Sliding hanger bracket (set of 2)
- (See last page for details and more options)

General notes

Many luminaire components, such as reflectors, refractors, lenses, sockets, lampholders, and LEDs are made from various types of plastics which can be adversely affected by airborne contaminants. If sulfur based chemicals, petroleum based products, cleaning solutions, or other contaminants are expected in the intended area of use, consult factory for compatibility.

PAF (Paint after fabrication) option is required for all products that will be used in a damp or humid location, such as under a canopy or covered parking area.



FSSEZ FluxStream strip EZ LED

4' and 8'

Features

- Compact design for installation in tight spaces
- Frosted acrylic diffuser provides wide light distribution and superior glare control
- Diffuser and LED plate snap into place allowing tool-free access to LED boards and driver
- Up to 50,000 hour predicted L70 LED lumen maintenance provides long service life to reduce maintenance costs
- Can be surface mounted on ceilings or walls, or suspended via chain, pendants or cables
- Wall mountable – ADA compliant
- Ideal for cold applications (-20°C)
- Continuous row mounting using standard end caps. No extra parts needed
- 7/8" knock out provided at each end and on base of luminaire. Note: Center knockout is covered and not useable in 4' version with EMLLED option.

- 8' tandem unit is two 4' optical assemblies with a center mullion on a single full length chassis.
- Enclosed lens minimizes penetration of dust, insects, and other debris into the LED compartment.
- Fluxstream luminaires are Designlights Consortium® qualified. Please see the DLC QPL list for exact catalog numbers (<http://www.designlights.org/QPL>).
- 5 year manufacturer's limited warranty Visit www.philips.com/warranties for complete warranty information.

Finish

- Baked white acrylic matte high reflectance paint finish
- PAF (Paint after fabrication) option, which is required for all products that will be used in damp or humid locations, such as a canopy or covered parking area, provides extra corrosion resistance.

Shielding

- Contoured frosted acrylic lens

Electrical

- LED boards and drivers are RoHS (Restriction of Hazardous Substances) compliant. Total system life rated at 50,000 hours. Predicted L70 lifetime based on LED manufacturer's supplied LM-80 data and in-situ laboratory testing.

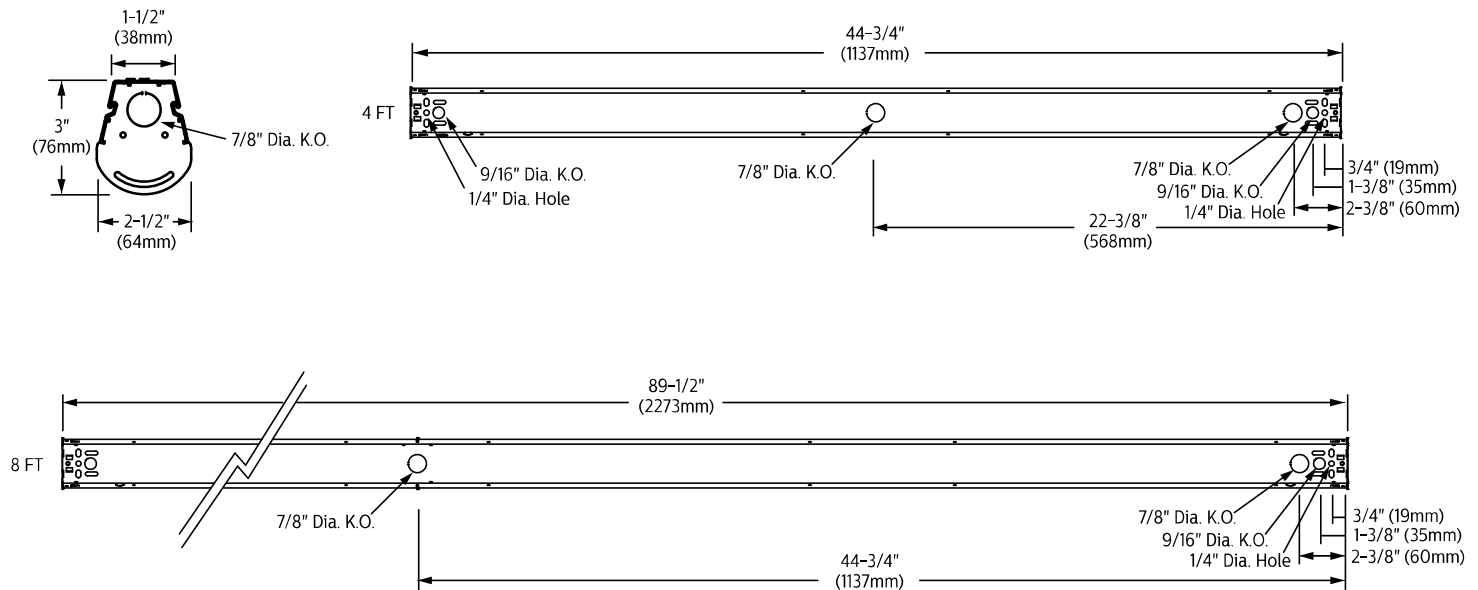
Materials

- Heavy gauge cold rolled steel housing and end caps

Labels

- cETLus listed (-20°C to 25°C)
- Suitable for damp locations

Dimensions



FSSEZ FluxStream strip EZ LED

4' and 8'

Photometry Test List

Catalog No.	Delivered Lumens	Input Watts	Efficacy
FSSEZ440L830-UNV-DIM	3899	32.9	119
FSSEZ880L830-UNV-DIM	7787	66.0	118

Catalog No.	Delivered Lumens	Input Watts	Efficacy
FSSEZ440L835-UNV-DIM	3934	31.1	126
FSSEZ880L835-UNV-DIM	7855	62.4	126

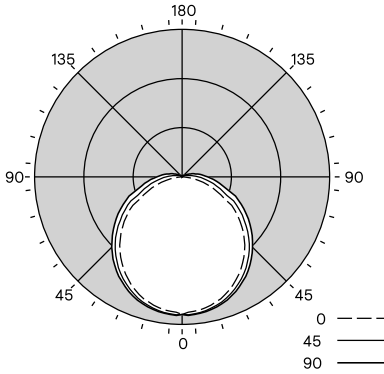
Catalog No.	Delivered Lumens	Input Watts	Efficacy
FSSEZ440L840-UNV-DIM	3994	31.1	128
FSSEZ880L840-UNV-DIM	7975	62.4	128

Catalog No.	Delivered Lumens	Input Watts	Efficacy
FSSEZ440L850-UNV-DIM	4255	32.7	130
FSSEZ880L850-UNV-DIM	8497	65.6	130

Photometry

FSSEZ440L840-UNV-DIM

Luminaire Lumens	3994
Luminaire Efficacy Rating (LER)	128
Total Luminaire Watts	31.1
Spacing Criterion (0-180)	1.24
Spacing Criterion (90-270)	1.32



Candela Distribution						
	0	22.5	45	67.5	90	Lumens
0	1214	1214	1214	1214	1214	
5	1190	1204	1212	1220	1218	115
15	1144	1158	1172	1185	1185	330
25	1055	1070	1092	1110	1115	502
35	927	948	979	1005	1012	610
45	773	795	835	866	878	641
55	598	620	668	711	729	595
65	375	404	498	554	575	479
75	191	234	314	378	399	326
85	34	99	191	257	278	194
90	0	56	141	205	225	
95	0	28	101	160	178	105
105	0	7	47	90	104	53
115	0	2	21	45	55	25
125	0	1	11	23	28	11
135	0	0	4	13	16	5
145	0	0	3	5	9	2
155	0	0	1	2	5	1
165	0	1	1	0	1	0
175	0	0	0	0	0	0
180	0	0	0	0	0	

Zonal Lumen Summary			
Zone	Lumens	%Fixture	%Lamp
0-30	947	23.7%	23.7%
0-40	1557	39.0%	39.0%
0-60	2793	69.9%	69.9%
0-90	3792	95.0%	95.0%
90-130	194	4.8%	4.8%
90-150	201	5.0%	5.0%
90-180	202	5.0%	5.0%
0-180	3994	100.0%	100.0%

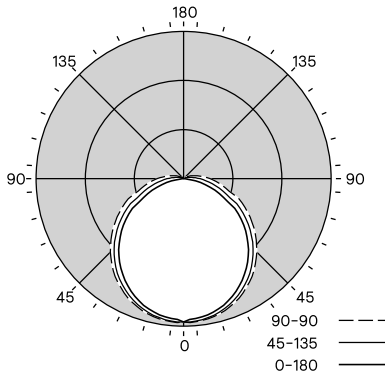
Avg. Luminance (cd/m ²)			
	0	45	90
45	16375	13754	13365
55	15466	12310	12135
65	12986	10783	10928
75	10435	8557	9166
85	4799	7304	8385

Coefficients of Utilization %											
Pc---	80				70			50		0	
Pw---	70	50	30	10	70	50	30	50	30	10	0

RCR											
0	118	118	118	118	115	115	115	108	108	108	95
1	106	101	96	91	103	98	93	93	89	86	76
2	96	87	80	73	93	85	78	80	75	70	63
3	87	76	67	61	84	74	66	70	64	58	52
4	80	67	58	51	77	65	57	62	55	49	44
5	73	60	51	44	71	58	50	56	48	42	38
6	67	54	45	38	65	53	44	50	43	37	33
7	63	49	40	33	60	48	39	46	38	32	29
8	58	44	36	30	56	43	35	42	34	29	26
9	54	41	32	27	53	40	32	38	31	26	23
10	51	37	29	24	49	37	29	35	28	24	21

FSSEZ880L840-UNV-DIM

Luminaire Lumens	7975
Luminaire Efficacy Rating (LER)	128
Total Luminaire Watts	62.4
Spacing Criterion (0-180)	1.24
Spacing Criterion (90-270)	1.32



Candela Distribution						
	0	45	90	135	180	Lumens
0	2425	2425	2425	2425	2425	
5	2377	2420	2432	2420	2377	230
15	2284	2340	2367	2340	2284	659
25	2106	2180	2227	2180	2106	1003
35	1851	1954	2020	1954	1851	1218
45	1544	1667	1753	1667	1544	1279
55	1194	1334	1455	1334	1194	1189
65	750	994	1147	994	750	957
75	381	627	796	627	381	650
85	68	380	555	380	68	388
90	0	281	449	281	0	
95	0	202	356	202	0	209
105	0	94	209	94	0	106
115	0	42	110	42	0	49
125	0	21	56	21	0	22
135	0	9	33	9	0	10
145	0	5	17	5	0	4
155	0	3	10	3	0	1
165	0	2	1	2	0	0
175	0	0	0	0	0	0
180	0	0	0	0	0	

Zonal Lumen Summary			
Zone	Lumens	%Fixture	%Lamp
0-30	1892	23.7%	23.7%
0-40	3110	39.0%	39.0%
0-60	5578	69.9%	69.9%
0-90	7573	95.0%	95.0%
90-130	387	4.8%	4.8%
90-150	401	5.0%	5.0%
90-180	402	5.0%	5.0%
0-180	7975	100.0%	100.0%

Avg. Luminance (cd/m ²)			
	0	45	90
45	16525	13814	13345
55	15677	12385	12116
65	13260	10874	10911
75	10823	8658	9153
85	5319	7435	8373

Coefficients of Utilization %											
Pc---	80				70			50		0	
Pw---	70	50	30	10	70	50	30	50	30	10	0

RCR											
0	118	118	118	118	115	115	115	108	108	108	95
1	106	101	96	91	103	98	93	93	89	86	76
2	96	87	80	73	93	85	78	80	75	70	63
3	87	76	67	61	84	74	66	70	64	58	52
4	80	67	58	51	77	65	57	62	55	49	44
5	73	60	51	44	71	58	50	56	48	42	38
6	67	54	45	38	65	53	44	50	43	37	33
7	63	49	40	33	60	48	39	46	38	32	29
8	58	44	36	30	56	43	35	42	34	29	26
9	54	41	32	27	53	40	32	38	31	26	23
10	51	37	29	24	49	37	29	35	28	24	21

FSSEZ FluxStream strip EZ LED

4' and 8'

Accessories⁵



Accessory Catalog Code	Description	
FSTH	Sliding hanger bracket (pair)	
SV5F12	12" Stem and canopy kit	White stem and canopy kit, 1/4" trade size (1/2" O.D.) locknuts included. Works with 9/16" k.O. on base of housing.
SV5F18	18" Stem and canopy kit	
SV5F24	24" Stem and canopy kit	
SV5F36	36" Stem and canopy kit	
SV5F48	48" Stem and canopy kit	
FKR-126	Chain hanger set (pair)	Includes two 5' heavy duty link chains with "V" hooks. Attaches to base of housing.
DACHxx	Adjustable cable hanger kit (single)	Works with 1/4" hole on base of housing or FSTH hanger bracket. xx=cable length in inches, enter 48" to 180" lengths in 12" increments
DACHxx-1-SC	Adjustable cable hanger kit with white straight 18/3 cord (single)	
DACHxx-1-CC	Adjustable cable hanger kit with white coiled 18/3 cord (single)	
DACHxx-2-SC	Adjustable cable hanger kit with white straight 18/4 cord (single)	
DACHxx-2-CC	Adjustable cable hanger kit with white coiled 18/4 cord (single)	
DACHxx-1D-SC	Adjustable cable hanger kit with white straight 18/5 cord with dimming leads (single)	
LSXR10	Low bay pir motion sensor (120-277v)	
FSSWG4	4' Wire guard (order two for 8' models)	
FSSD4L	4' Diffuse replacement lens (order two for 8' models)	

⁵ Consult Signify to confirm whether specific accessories are BAA-compliant.



© 2021 Signify Holding. All rights reserved. The information provided herein is subject to change, without notice. Signify does not give any representation or warranty as to the accuracy or completeness of the information included herein and shall not be liable for any action in reliance thereon. The information presented in this document is not intended as any commercial offer and does not form part of any quotation or contract, unless otherwise agreed by Signify.

Signify North America Corporation
400 Crossing Blvd Suite 600,
Bridgewater, NJ 08807
Telephone 855-486-2216

Signify Canada Ltd.
281 Hillmount Road,
Markham, ON, Canada L6C 2S3
Telephone 800-668-9008

All trademarks are owned by Signify Holding or their respective owners.