

PST POST TOP AREA LIGHT CCT3

PROJECT: _____

SCHEDULE: _____ DATE: _____

PREPARE BY: _____

NOTES: _____

DESCRIPTION

naturaLED® has designed a sleek, contemporary post top fixture with three vertical arm that creates a clean look. Easy installation to retrofit on standard 2-3/8" tenons. Saving time and money by upgrading to LED. Our DLC premium open round post top light fixture replaces up to 400 watt metal halide fixtures and produces up to 13,000 lumens.

BENEFITS

Sleek, contemporary design eliminates light trespass to avoid light pollution in the night sky.



Dusk to Dawn Photocell Sensor
Adjustable Wattage and CCT

APPLICATIONS

Corporate Campus, Education, Healthcare, Parking Structure, Parks, Hospitalities, Walkways, Commercial office buildings, Landscape lighting may come into use

Rated Life 50,000 Hours
Warranty 5 Years

FEATURES

- DLC Premium
- IP65 Rated
- ETL Listed
- Selectable Wattages (3 Wattages)
- Selectable Color Temperature (3000K, 4000K, 5000K)
- Built-in photocell sensor (turn on and off)
- Mounting: Fits 2-3/8" Tenon
- Input Voltage: 100-277V
- Power Factor >0.9
- Dimmable: 0-10V
- Surge Protection: 4KV
- CRI: 80
- Beam Angle: 110°
- Operating temperature: - 40°F - 122°F
- 5 Year Warranty
- Finish: Black
- Material: Glass Lens
- Recommended Mounting Height: 8-15ft
- Optional for Purchase: Surge Protector

ACCESSORIES

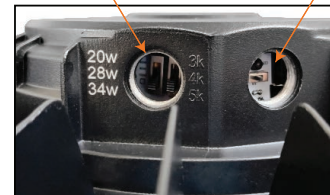


Surge Protector

PHOTO SENSOR & SELECTABLE

Selectable Wattage & CCT

Dusk to Dawn Photocell Sensor On/Off Switch



SAMPLE NUMBER FX15PST100SW/8CCT3/BK

FAMILY	DIAMETER	SERIES	WATTAGE	CRI/COLOR TEMP	COLOR
FX fixture	15 15 inch	PST post top	100SW Selectable Wattage 60W/80W/100W	8CCT3 CRI 80 3000/4000/5000K	BK black



POST TOP AREA LIGHT CCT3

PARKING & AREA LUMINAIRES

*P= Premium DLC / *S = Standard DLC

ORDERING

Watts (W)	Ordering Code	Description	CCT (K)	Lumens (Lm)	Equiv. Wattage (W)	Dim (V)	IP65 Rated	DLC (S/P)
20	9571	FX15PST34SW/8CCT3/BK	3CCT (3000/4000/5000K)	3,004	150	0-10V	●	P
28				4,200				
34				5,262				
60	9572	FX15PST100SW/8CCT3/BK	3CCT (3000/4000/5000K)	8,104	250	0-10V	●	P
80				10,400				
100				13,361				

ACCESSORIES (Ordered Separately)



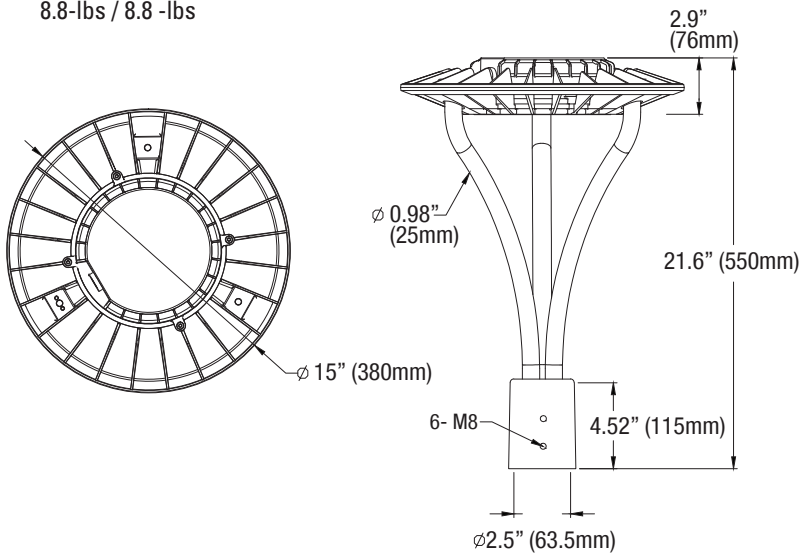
Surge Protector 10KV
P10389 SPD-L-10KV-277
(10KV Surge protector/ 120-277V)



Surge Protector 20KV
P10390 SPD-L-20KV-277
(20KV Surge protector/ 120-277V)

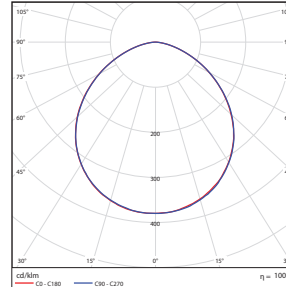
DIMENSIONS

34W / 100W
8.8-lbs / 8.8 -lbs



PHOTOMETRICS CHART

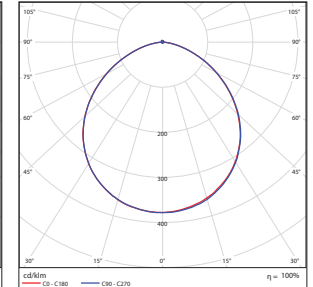
20/28/34 Watt
DLC Premium



	Illuminance at a Distance	
	Center Beam fc	Beam Width
2.5R	320 fc	6.7 ft 6.7 ft
5.0R	79.9 fc	13.4 ft 13.4 ft
7.5R	35.5 fc	20.1 ft 20.1 ft
10.0R	20.0 fc	26.8 ft 26.8 ft
12.5R	12.8 fc	33.5 ft 33.5 ft
15.0R	8.88 fc	40.2 ft 40.2 ft

■ Vert. Spread: 106.5°
■ Horiz. Spread: 106.5°

60/80/100 Watt
DLC Premium



	Illuminance at a Distance	
	Center Beam fc	Beam Width
2.5R	808 fc	6.7 ft 6.7 ft
5.0R	202 fc	13.4 ft 13.4 ft
7.5R	89.8 fc	20.1 ft 20.1 ft
10.0R	50.5 fc	26.8 ft 26.8 ft
12.5R	32.3 fc	33.5 ft 33.5 ft
15.0R	22.4 fc	40.2 ft 40.2 ft

■ Beam Spread: 106.5°

PACKAGE

Case Qty 1 pc

