

PROJECT:

SCHEDULE: **DATE:**

PREPARE BY:

NOTES:

PST Post Top Area Light CCT3

DESCRIPTION

The naturaLED® sleek and modern post top fixture features a three-arm vertical design, creating a clean and contemporary look. Engineered for easy installation, it seamlessly retrofits onto standard 2-3/8" tenons and 3" poles, making the transition to LED both cost- and time-efficient. This DLC Premium open round post top fixture replaces up to 400-watt metal halide fixtures while delivering up to 13,000 lumens of bright illumination. Additionally, its innovative design minimizes light trespass, reducing light pollution and preserving the night sky.

APPLICATIONS

Corporate Campus, Education, Healthcare, Parking Structure, Parks, Hospitalities, Walkways, Commercial Office Buildings, Landscape Lighting

FEATURES

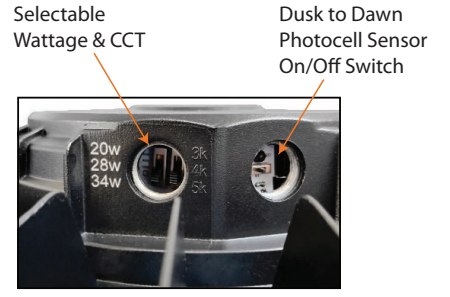
- DLC Premium
- IP65 Rated
- ETL/cETL Listed
- Wattage & Color Selectable
- Wattage: 20~34W, 60~100W
- Color Temp: CCT3 (30/40/50K)
- Voltage: 120-277V
- Surge Protection: 4KV
- Dimmable: 0-10V
- CRI: >80
- Operating Temperature: -40°F to 122°F
- Beam Angle: 110°
- Built-in Photocell Sensor (Turn On & Off)
- Mounting: Fits 2-3/8" Tenon: Fits 3" Pole
- Lens: Glass
- Material: Die Cast Aluminum
- Color: Black
- Optional Accessories for Purchase: Surge Protector
- Warranty: 5-Year Limited Warranty



ACCESSORIES



PHOTO SENSOR & SELECTABLE



SAMPLE NUMBER FX15PST100SW/8CCT3/BK

FAMILY	SIZE	SERIES	WATTAGE	CRI/COLOR TEMP	COLOR
FX Fixture	15 15-inch	PST Post Top	100SW <100W Selectable Wattage	8CCT3 CRI 80 3CCT (3000/4000/5000K)	BK Black



POST TOP AREA LIGHT CCT3

PARKING & AREA LUMINAIRES

*P= Premium DLC / *S = Standard DLC

ORDERING

Ordering Code	Description	Watts (W)	Lumens (Lm)	CCT (K)	Equiv. Wattage (W)	Voltage	Color	IP65 Rated	DLC (S/P)
9571	FX15PST34SW/8CCT3/BK	20	3,004	3CCT	175W	120-277V	Black	•	P
		28	4,200	(30/40/50K)					
		34	5,262						
9572	FX15PST100SW/8CCT3/BK	60	8,104	3CCT	250W	120-277V	Black	•	P
		80	10,400	(30/40/50K)					
		100	13,361						

ACCESSORIES



Surge Protector

P10389 SPD-L-10KV-277

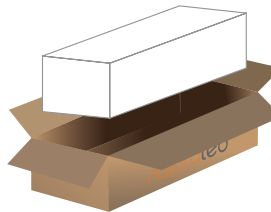
(Surge Protection 10KV 120-277V)

P10390 SPD-L-20KV-277

(Surge Protection 20KV 120-277V)

PACKAGE

	Master Carton (pc)	Dimensions (in)	Weight (lb)
34 S/W	1	18.10"x18.10"x5.50"	9.92
100 S/W	1	18.10"x18.10"x5.50"	10.42



POST TOP AREA LIGHT CCT3

PARKING & AREA LUMINAIRES

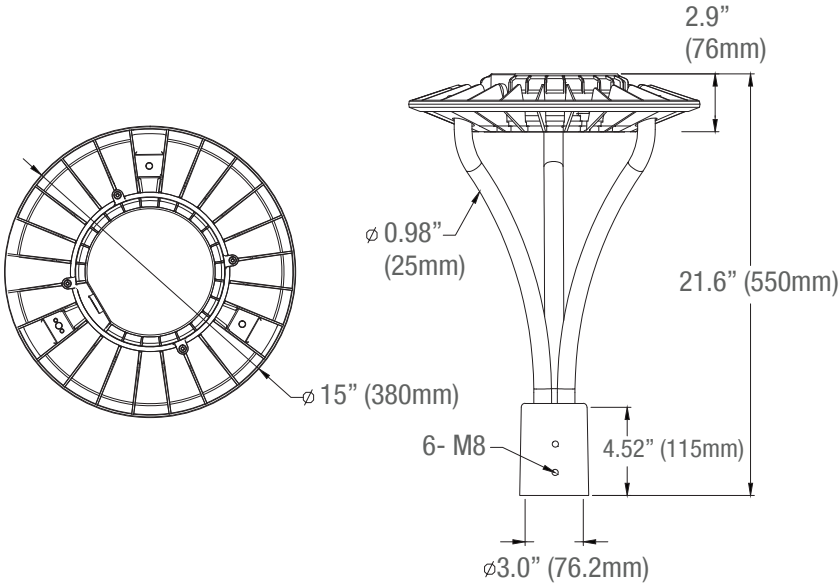
DIMENSIONS

34 S/Wattage

8.8-lbs

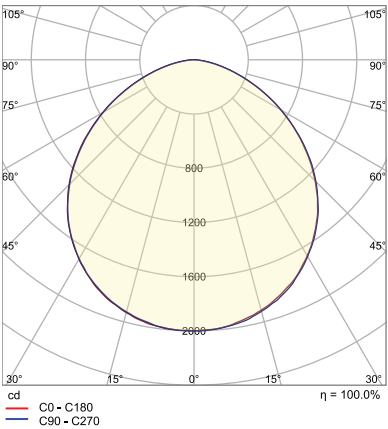
100 S/Wattage

8.8-lbs

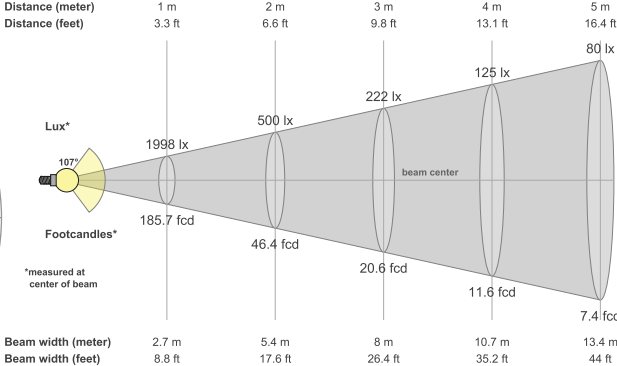
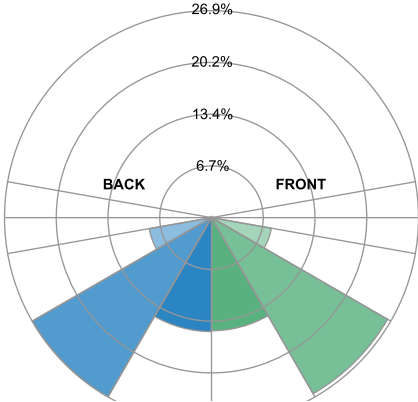


PHOTOMETRICS

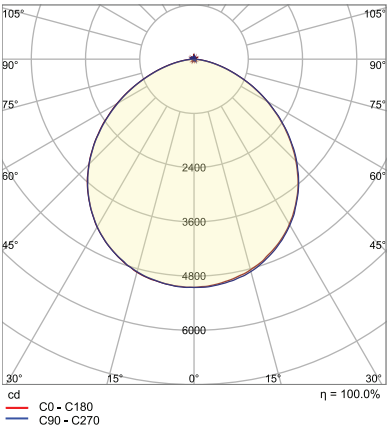
34 S/Wattage



BUG rating B2 U0 G1



100 S/Wattage



BUG rating B3 U2 G3

