



The Millwright™

a naturaLED® brand

HBR

INDUSTRIAL HIGH BAY

PROJECT:

SCHEDULE:

DATE:

PREPARE BY:

NOTES:



DESCRIPTION

naturaLED® Industrial Round High Bay offers the perfect solution for your lighting needs for your industrial application. This new design allows us to optimize all the beneficial characteristics of LED lights in a high-performance fixture that will endure toughest environments: dirty, dusty, wet and high vibration areas of industrial plants.

naturaLED® Industrial Round High Bay Lights are extremely durable, yet lightweight, with excellent thermal design. Available in 200W and 340W, 110° (Medium) beam pattern, and can operate in ambient temperatures of up to 158 degrees Fahrenheit (70°C) at full lumen output.

APPLICATIONS

Warehouse Lighting, Steel Mill Factory, Industrial Facility, Factories

FEATURES

- DLC qualified
- L70 Rated Chip for over 100,000 projected life hours
- Uniform and consistent color: ANSI C78.377-2017
- IP66 rated (Protection against powerfully jetting water and dust tight)
- Premium outdoor rated lens
- Available in 110° (Medium) beam pattern or 80° (Narrow) with aluminum reflector purchase
- 70°C (158°F) operating temp at full lumen output
- Dust-Free Design
- Light weight: <13 lbs (fixture weight when driver remotely mounted)
- 3/4" NPT mounting thread for standard mounting
- Corrosion resistant powder coating
- Material: die cast aluminum
- Remote driver system up to 100ft
- Optional wireless control system*
- Input line voltage: 120-277V / 277-480V (250Vdc)
- CRI > 80
- Power Factor: >0.9
- THD: <15%
- Dimmable: 0-10V
- Operating temperature: -22°F - 158°F (-40°C - 70°C)



ACCESSORIES

- Yoke Mount
- Surge Protector (120-277V)
- Surge Protector (347-480V)
- Surge Protector (120-277/347-480V)
- Aluminum Reflector
- 30ft Cable

SAMPLE NUMBER

FX16HBR200/110/850/IP66/MV

STYLE	DIAMETER	SERIES	Beam Angle	CRI/COLOR TEMP	IP rating	VOLTAGE
FX	16	HBR	110	850	IP66	MV
fixture	16 inch	high bay round	110 degree	CRI 80 5000K	IP66	multiple voltage



ORDERING

*P= Premium DLC / *S = Standard DLC

Watts (W)	Ordering Code	Description	Color Temp (K)	Lumens (lm)	Efficacy (lm/W)	Voltage	Color	IP66 Rated	DLC (P/S)
200	9573	FX16HBR200/110/850/IP66/480	5000K	36,281	175	277-480V	Black	•	S
200	9576	FX16HBR200/110/850/IP66/MV	5000K	35,472	175	120-277V	Black	•	S
340	9574	FX16HBR340/110/850/IP66/480	5000K	57,826	165	277-480V	Black	•	S
340	9599	FX16HBR340/110/850/IP66/MV	5000K	57,532	165	120-277V	Black	•	S

ACCESSORIES (Ordered Separately)



Yoke Mount
P10439 MT-YK-HBR16-BK
(Yoke mount for HBR16-Black)



30ft Cable
P10230 PWC-300V2-30ft-QC
(30ft-300V 2-Conductor w/connector)



Aluminum Reflector
P10440 CVR-16HBR-80-AL
80° Reflector for 16" Industrial High Bay



Surge Protector
P10390 SPD-L-20KV-277
(Long (Parallel) Type 20KV 120-277V)



Surge Protector
P10391 SPD-L-20KV-480
(Long (Parallel) Type 20KV 347-480V)



Surge Protector
P10431 SPD-R-20KV-277
(Round Type 20KV 120-277V)

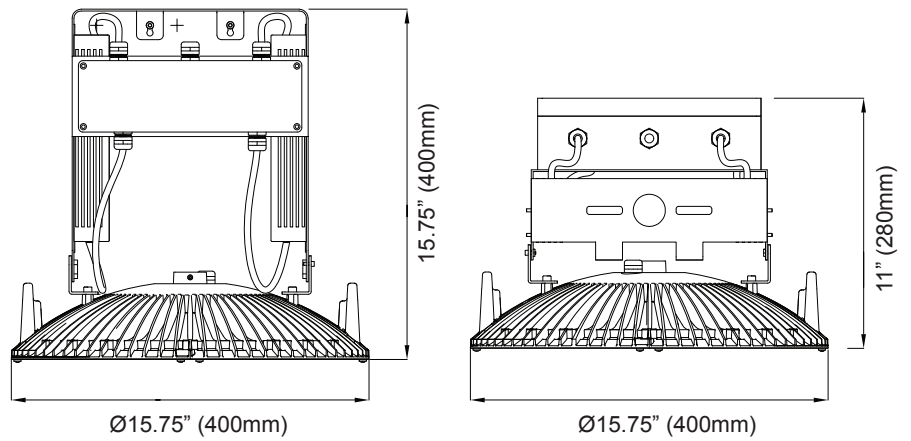


Surge Protector
P10432 SPD-R-20KV-480
(Round Type 20KV 347-480V)

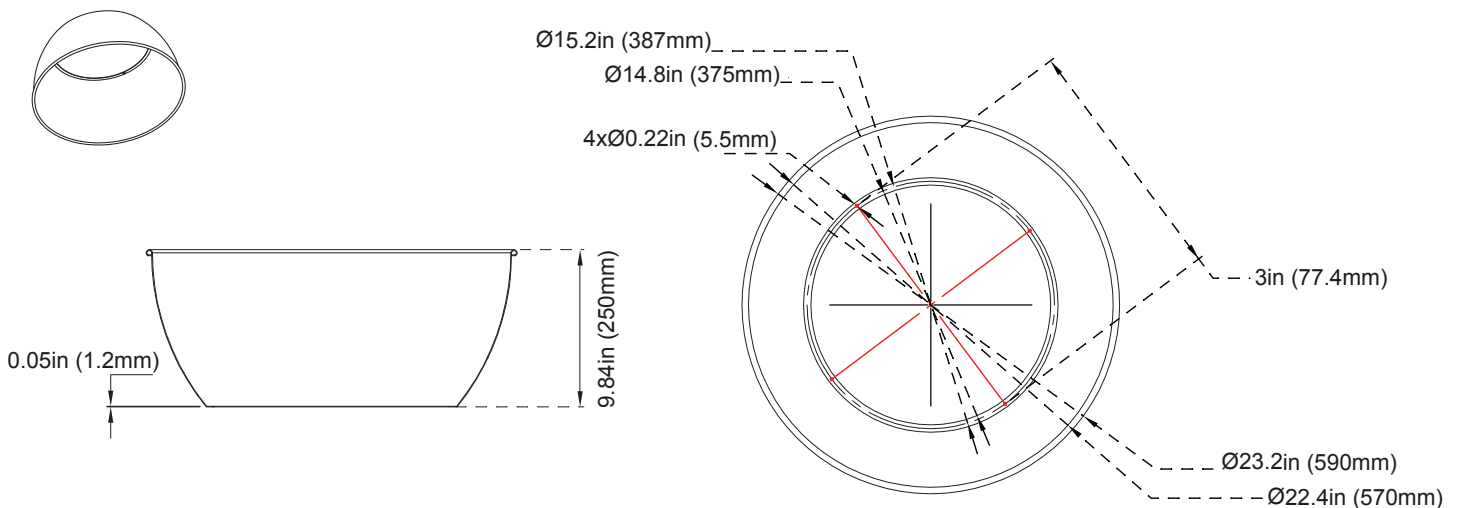
DIMENSIONS

16-inch

Wattage	Fixture weight with driver (lbs)	Fixture weight when driver remotely mounted (lbs)
200W	20.95	11.80
340W	24.25	12.38



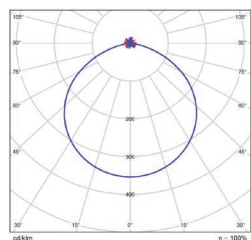
REFLECTOR DIMENSIONS



PHOTOMETRICS CHART

PACKAGE

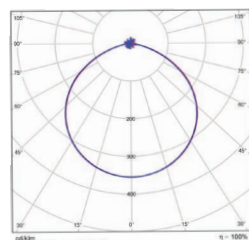
200 Watt Medium Beam -110°



Center Beam Fc	Beam Width
0.3R	182 fc 25.8 ft 25.7 ft
16.7R	44.9 fc 51.9 ft 51.8 ft
25.0R	20.0 fc 77.7 ft 77.5 ft
33.3R	11.3 fc 103.5 ft 103.2 ft
41.7R	7.21 fc 129.6 ft 129.3 ft
50.0R	5.01 fc 155.4 ft 155.0 ft

Vert. Spread: 114.3°
Horiz. Spread: 114.4°

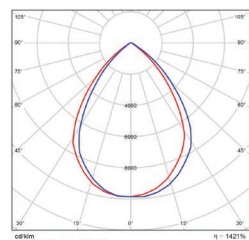
340 Watt Medium Beam -110°



Center Beam Fc	Beam Width
0.3R	290 fc 25.6 ft 25.6 ft
16.7R	71.5 fc 51.4 ft 51.5 ft
25.0R	31.9 fc 77.0 ft 77.0 ft
33.3R	18.0 fc 102.6 ft 102.6 ft
41.7R	11.5 fc 128.5 ft 128.5 ft
50.0R	7.98 fc 154.0 ft 154.1 ft

Vert. Spread: 114.0°
Horiz. Spread: 114.0°

340 Watt with Reflector Narrow Beam - 80°



Center Beam Fc	Beam Width
0.3R	290 fc 25.6 ft 25.6 ft
16.7R	71.5 fc 51.4 ft 51.5 ft
25.0R	31.9 fc 77.0 ft 77.0 ft
33.3R	18.0 fc 102.6 ft 102.6 ft
41.7R	11.5 fc 128.5 ft 128.5 ft
50.0R	7.98 fc 154.0 ft 154.1 ft

Vert. Spread: 114.0°
Horiz. Spread: 114.0°

Case Qty
1 pc

